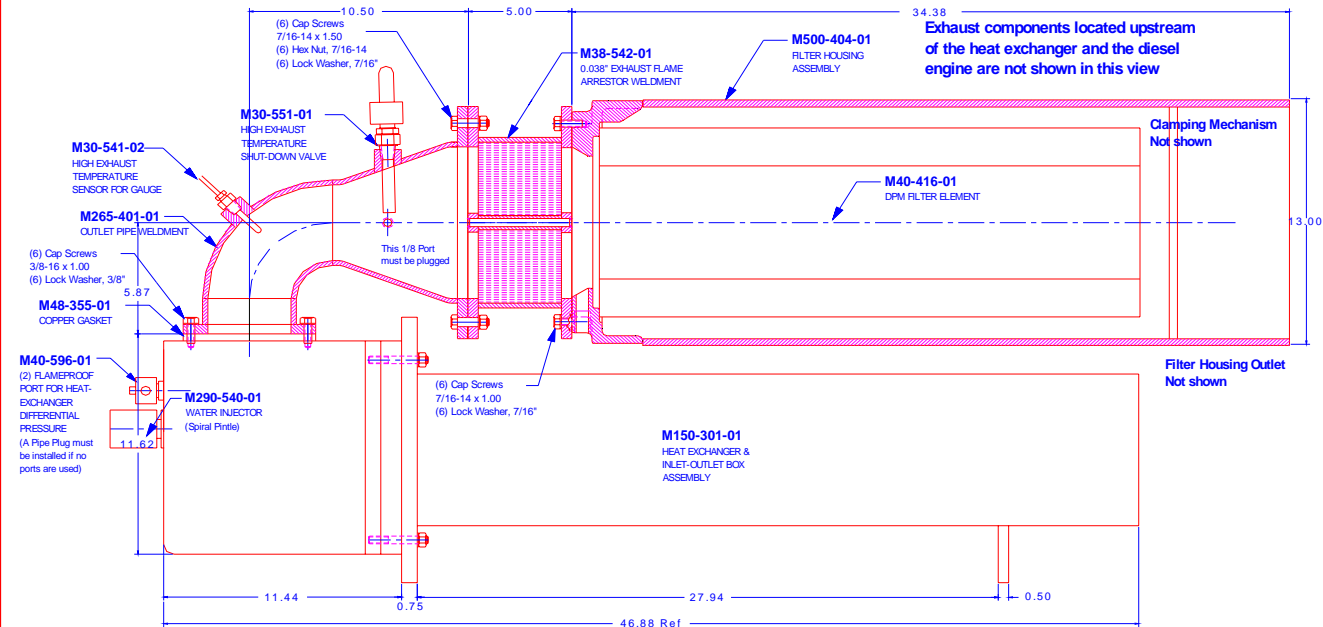


CONFIDENTIAL & PROPRIETARY
 All data contained in this document is sole property of DRY SYSTEMS TECHNOLOGIES and is considered confidential and proprietary.
 This document may not be reproduced, released to third parties, or used for purposes other than for which it was furnished, without express written consent of DRY SYSTEMS TECHNOLOGIES.
 This document remains property of DRY SYSTEMS TECHNOLOGIES and must be returned upon request.

EXHAUST SYSTEM COMPONENTS DOWNSTREAM OF THE HEAT EXCHANGER (SIDEVIEW)

INCHES
 ALL DIMENSIONS ON THIS DRAWING ARE INCHES, UNLESS NOTED OTHERWISE



**WAGNER ST-5
 W/ MWM 916-6**

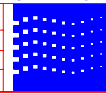
| TOLERANCES | |
|---------------------|--|
| Linear unless noted | |
| Machined: ± 0.005 | |
| Fabricated: ± 0.01 | |
| Angular: ± 1/2° | |
| Surface finish 125 | |

**DRY SYSTEMS
 TECHNOLOGIES**
 8102 LEBMONT ROAD, SUITE 700
 WOODRIDGE, IL 60517
 Phone: 630-427-2051 Fax: 630-427-1036
 E-MAIL: sales@drytechnologies.com

DO NOT CHANGE WITHOUT PRIOR MSHA APPROVAL

| DESCRIPTION | REV | DATE | BY |
|------------------|-----|------------------|--------------|
| EXHAUST SIDEVIEW | 1 | | |
| | | 28 November 2002 | Norbert Pass |
| | | | Norbert Pass |

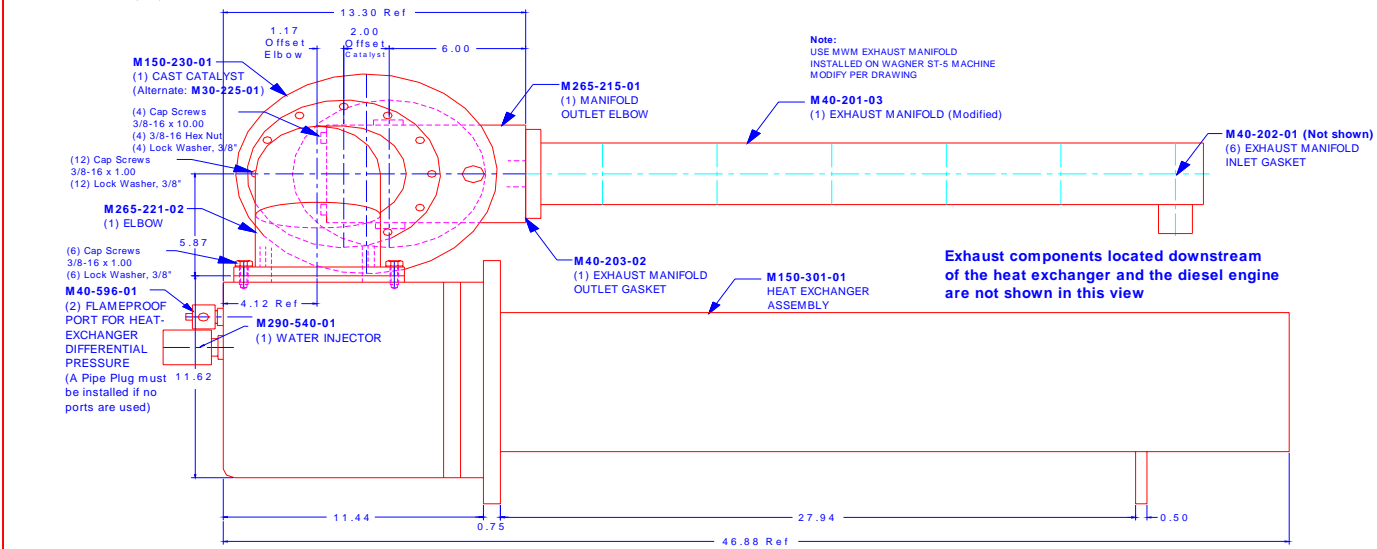
See Detail Drawings
M265-101-03



CONFIDENTIAL & PROPRIETARY
 All data contained in this document is sole property of DRY SYSTEMS TECHNOLOGIES and is considered confidential and proprietary. This document may not be reproduced, released or third parties, or used for purposes other than for which it was furnished, without express written consent of DRY SYSTEMS TECHNOLOGIES. This document remains property of DRY SYSTEMS TECHNOLOGIES and must be returned upon request.

**EXHAUST SYSTEM COMPONENTS
 UPSTREAM OF THE HEAT EXCHANGER
 (SIDEVIEW)**

INCHES
 ALL DIMENSIONS ON
 THIS DRAWING ARE
 INCHES, UNLESS
 NOTED OTHERWISE



**WAGNER ST-5
 W/ MWM 916-6**

DO NOT CHANGE WITHOUT PRIOR MSHA APPROVAL

| TOLERANCES | |
|---------------------|--|
| Linear unless noted | |
| Machined: ± 0.005 | |
| Fabricated: ± 0.01 | |
| Angular: ± 1/2° | |
| Surface finish 125 | |

**DRY SYSTEMS
 TECHNOLOGIES**
 8102 LEMONT ROAD, SUITE 700
 WOODRIDGE, IL 60517
 Phone: 815-427-2221 Fax: 815-421-1026
 Email: sales@dsystechnologies.com

| SIDEVIEW (Installation) | | REV | DATE | BY | CHKD |
|-------------------------|--|-----|------------------|--------------|--------------|
| 1 | | 1 | 28 November 2002 | Norbert Pass | Norbert Pass |
| See Detail Drawings | | | | | |
| M265-101-02 | | | | | |

