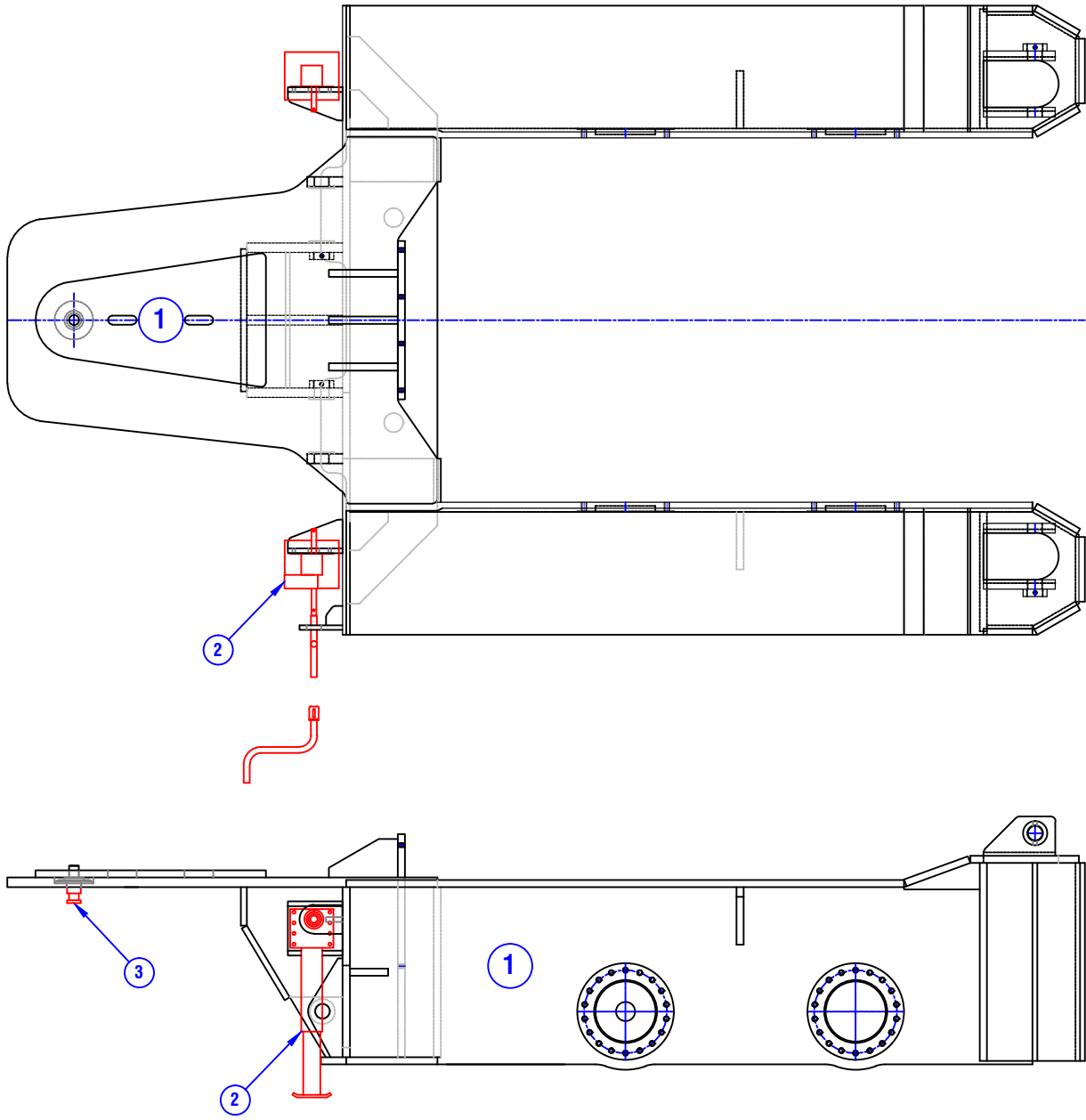


CONFIDENTIAL & PROPRIETARY

All data contained in this document is sole property of **DRY SYSTEMS TECHNOLOGIES** and is considered confidential and proprietary. This document may not be reproduced, released to third parties, or used for purposes other than for which it was furnished, without express written consent of **DRY SYSTEMS TECHNOLOGIES**. This document remains property of **DRY SYSTEMS TECHNOLOGIES** and must be returned upon request.



| ITEM | PART NO. | QTY. | DESCRIPTION |
|------|-------------|------|---------------------------------|
| 1 | M363-200-02 | 1 | WELDMENT, SHIELD HAULER TRAILER |
| 2 | M363-514-01 | 1 | LANDING GEAR |
| 3 | M363-512-01 | 1 | KING PIN |

TOLERANCES
 Linear unless noted
 Machined: ±0.005
 Fabricated: ±0.02
 Angular: ±1/2°
 Surface finish 125

| REV. | DATE | NAME | DESCRIPTION |
|------|------|------|-------------|
| | | | |
| | | | |
| | | | |

DRY SYSTEMS TECHNOLOGIES
 10420 RISING COURT
 WOODRIDGE, IL 60517
 Phone: 630-427-2051 Fax: 630-427-1036
 E-Mail: eng@drysystemstech.com

| | | |
|--------------------------------------|---------------------|-------------------|
| DESCRIPTION SHIELD HAULER TRAILER | | NO RECD 1 |
| SCALE Full | DATE Oct 01-2019 | DRAWN BY W Fox |
| MATERIAL | | APPROVED BY |
| DRAWING NO SECTION 1-02 | | |

