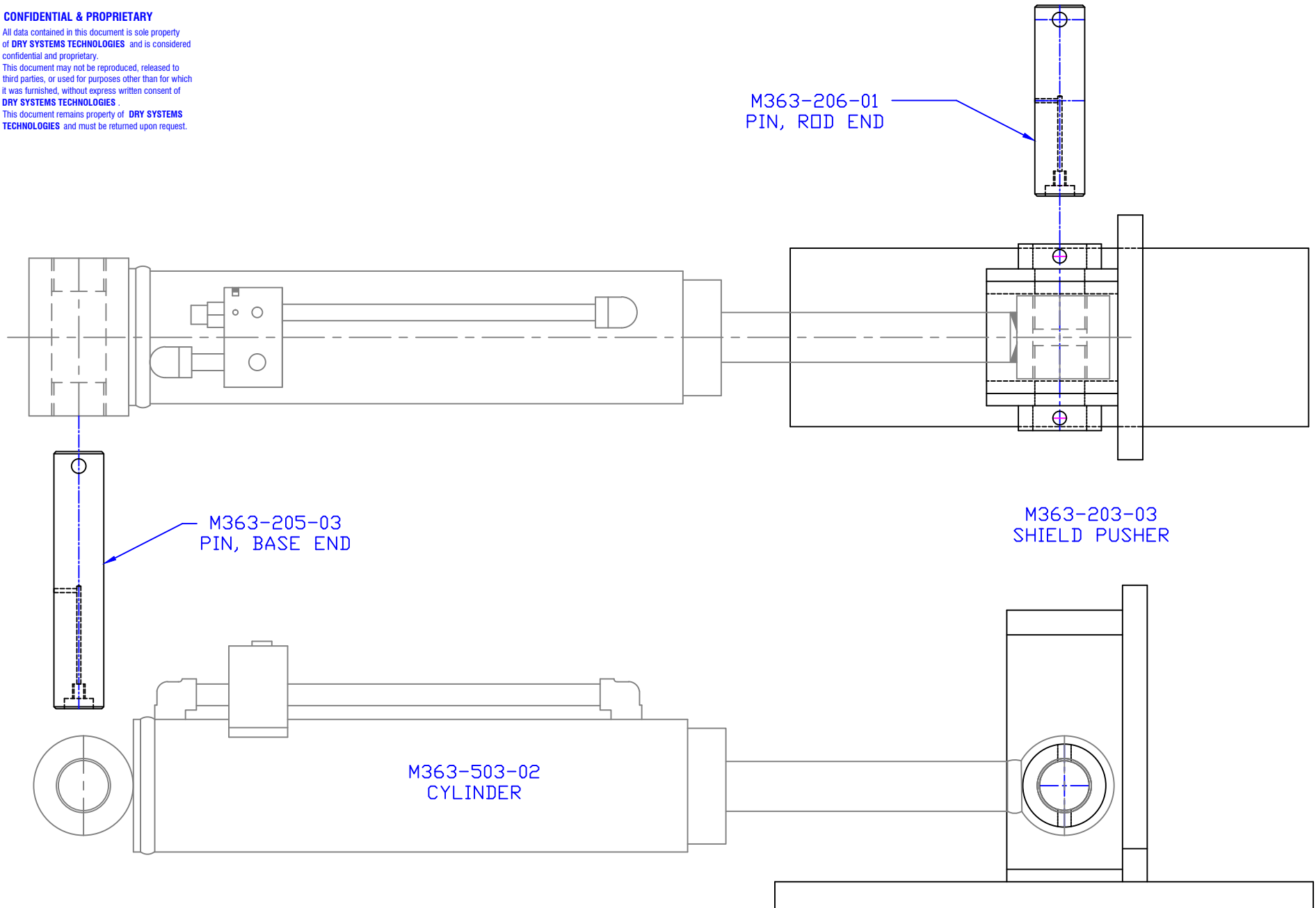


CONFIDENTIAL & PROPRIETARY

All data contained in this document is sole property of **DRY SYSTEMS TECHNOLOGIES** and is considered confidential and proprietary.

This document may not be reproduced, released to third parties, or used for purposes other than for which it was furnished, without express written consent of **DRY SYSTEMS TECHNOLOGIES**.

This document remains property of **DRY SYSTEMS TECHNOLOGIES** and must be returned upon request.



M363-206-01
PIN, ROD END

M363-205-03
PIN, BASE END

M363-203-03
SHIELD PUSHER

M363-503-02
CYLINDER

TOLERANCES Linear unless noted Machined: ± 0.005 Fabricated: ± 0.02 Angular: $\pm 1/2^\circ$ Surface finish 125					DRY SYSTEMS TECHNOLOGIES 10420 RISING COURT WOODRIDGE, IL 60517 Phone: 630-427-2051 Fax: 630-427-1036 E-Mail: and@drysystemstech.com	DESCRIPTION	SHIELD PUSHER ASSEMBLY	NO RECD	2
	SCALE	DATE	DRAWN BY			APPROVED BY			
	Full	Oct 01 2019	W Fox						
	MATERIAL								
	DRAWING NO	SECTION 1-05							