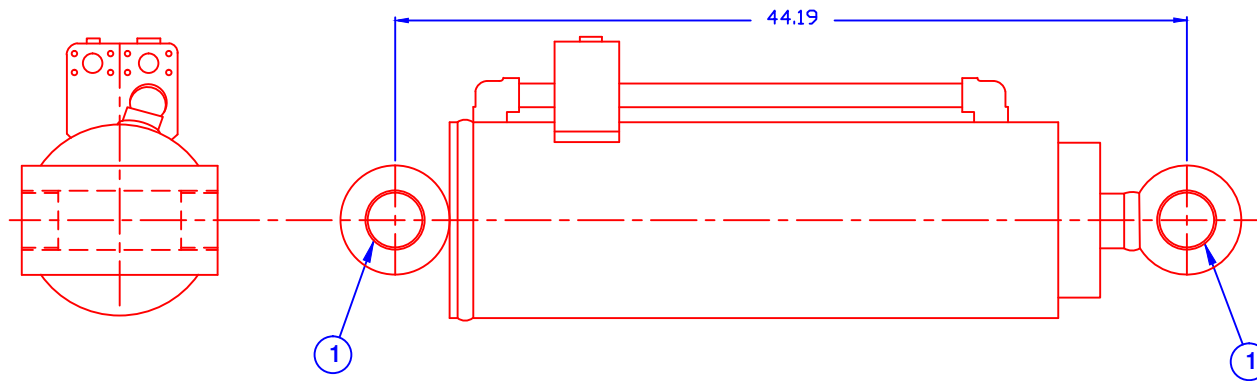
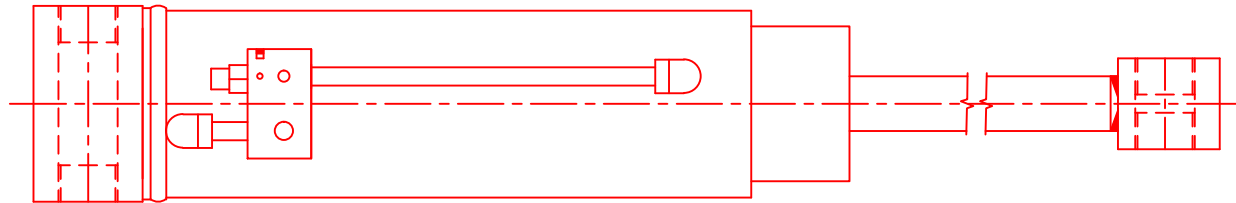


**CONFIDENTIAL & PROPRIETARY**

All data contained in this document is sole property of **DRY SYSTEMS TECHNOLOGIES** and is considered confidential and proprietary.

This document may not be reproduced, released to third parties, or used for purposes other than for which it was furnished, without express written consent of **DRY SYSTEMS TECHNOLOGIES**.

This document remains property of **DRY SYSTEMS TECHNOLOGIES** and must be returned upon request.



ITEM	PART NO.	QTY.	DESCRIPTION
	M363-509-10	1	TRAILER TELESCOPIC CYLINDER Includes 1
1	M363-503-11	4	BUSHING

**SECTION 1-06**

TOLERANCES			
Linear unless noted			
Machined: ±0.005			
Fabricated: ±0.02			
Angular: ±1/2°			
Surface finish 125			
REV	DATE	NAME	DESCRIPTION

**DRY SYSTEMS TECHNOLOGIES**  
 10420 RISING COURT  
 WOODRIDGE, IL 60517  
 Phone: 630-427-2051 Fax: 630-427-1036  
 E-Mail: [and@dryssystemstech.com](mailto:and@dryssystemstech.com)

DESCRIPTION		NO RECD
TRAILER TELESCOPIC CYLINDER		2
SCALE	DATE	DRAWN BY
Full	Oct 01 2019	W Fox
MATERIAL		APPROVED BY
DRAWING NO		
<b>M363-503-02</b>		

