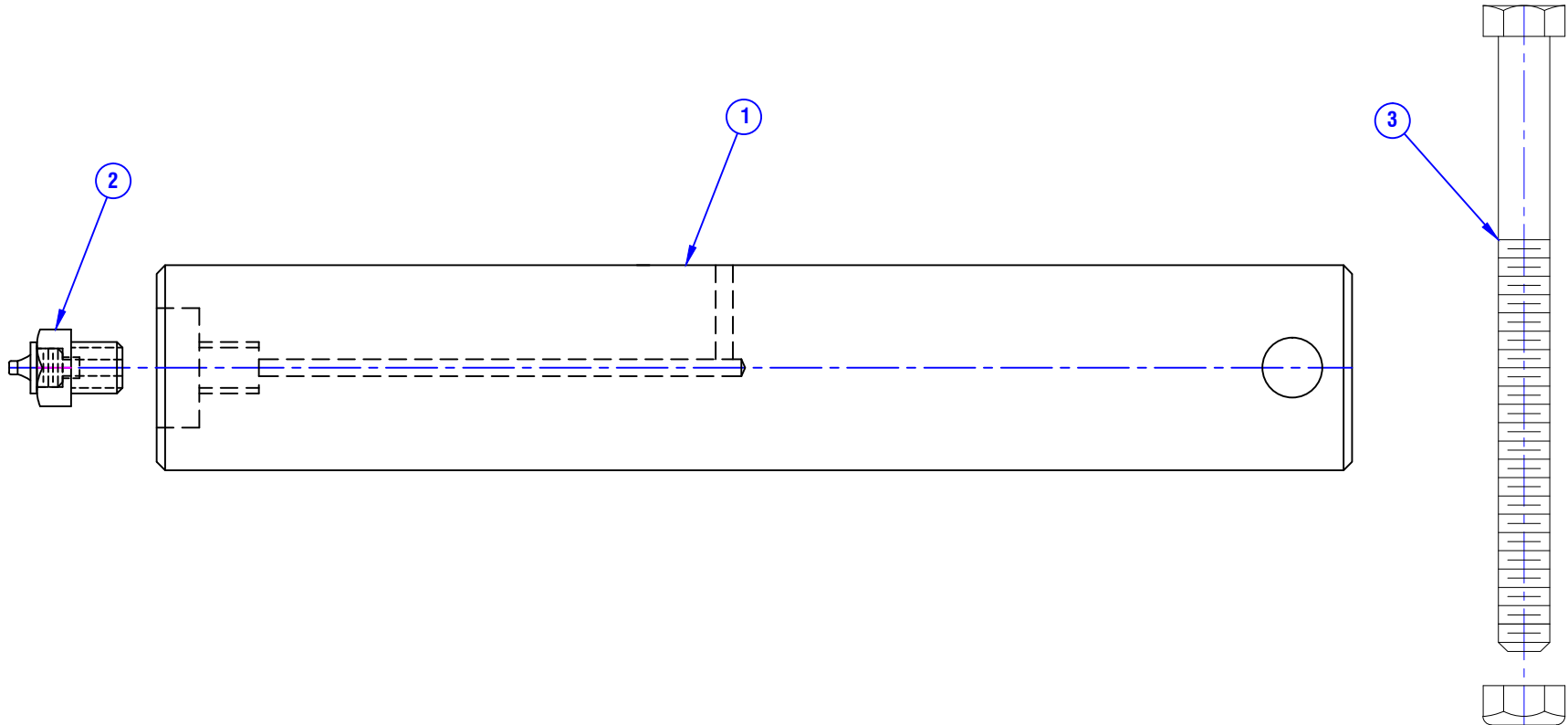


CONFIDENTIAL & PROPRIETARY

All data contained in this document is sole property of **DRY SYSTEMS TECHNOLOGIES** and is considered confidential and proprietary.

This document may not be reproduced, released to third parties, or used for purposes other than for which it was furnished, without express written consent of **DRY SYSTEMS TECHNOLOGIES**.

This document remains property of **DRY SYSTEMS TECHNOLOGIES** and must be returned upon request.



| ITEM | PART NO. | QTY. | DESCRIPTION |
|------|-------------|------|---|
| 1 | M363-205-03 | 2 | PIN, CYLINDER, BASE END |
| 2 | M363-205-02 | 2 | GREASE BOLT |
| 3 | M515-500-26 | 2 | PIN KEEPER BOLT - 3/4 -10 X 6 GR 8 HHCS |
| | M515-560-04 | 2 | 3/4 - 10 TOP LOCK NUT |

TOLERANCES

Linear unless noted
 Machined: ±0.005
 Fabricated: ±0.02
 Angular: ±1/2°
 Surface finish 125

| REV | DATE | NAME | DESCRIPTION |
|-----|------|------|-------------|
| | | | |
| | | | |
| | | | |
| | | | |

DRY SYSTEMS TECHNOLOGIES

10420 RISING COURT
 WOODRIDGE, IL 60517
 Phone: 630-427-2051 Fax: 630-427-1036
 E-Mail: andri@drysystemstech.com

| | | |
|--|---------------------|-------------------|
| DESCRIPTION PIN, CYLINDER BASE END ASSEMBLY | | NO RECD 2 |
| SCALE Full | DATE Oct 01 2019 | DRAWN BY W Fox |
| MATERIAL | | APPROVED BY |
| DRAWING NO SECTION 1-11 | | |

