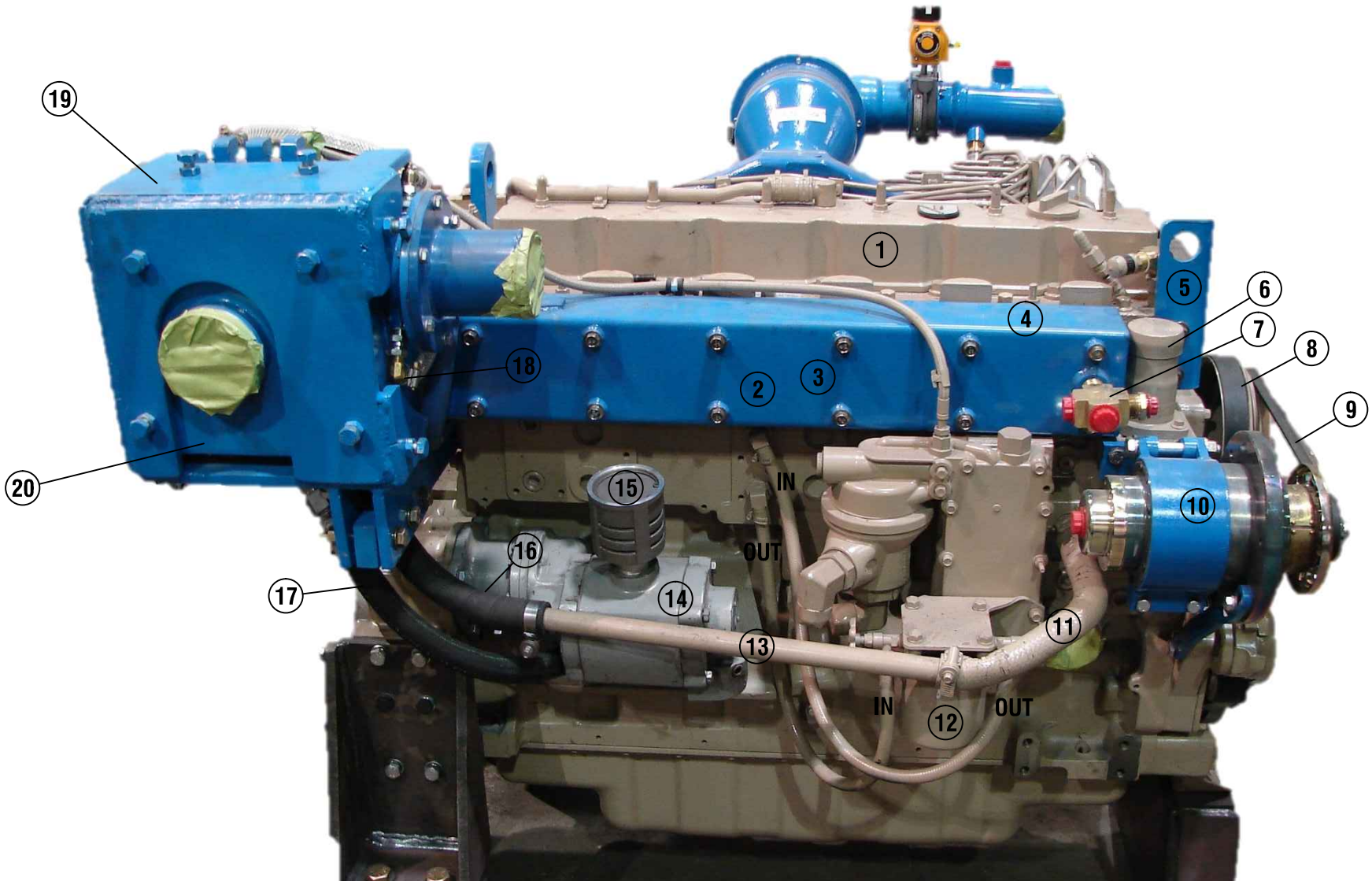


**CONFIDENTIAL & PROPRIETARY**

All data contained in this document is sole property of **DRY SYSTEMS TECHNOLOGIES** and is considered confidential and proprietary.

This document may not be reproduced, released to third parties, or used for purposes other than for which it was furnished, without express written consent of **DRY SYSTEMS TECHNOLOGIES**.

This document remains property of **DRY SYSTEMS TECHNOLOGIES** and must be returned upon request.



**TOLERANCES**

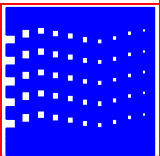
Linear unless noted  
 Machined:  $\pm 0.005$   
 Fabricated:  $\pm 0.02$   
 Angular:  $\pm 1/2^\circ$   
 Surface finish 125

| REV | DATE | NAME | DESCRIPTION |
|-----|------|------|-------------|
|     |      |      |             |
|     |      |      |             |
|     |      |      |             |
|     |      |      |             |
|     |      |      |             |
|     |      |      |             |
|     |      |      |             |
|     |      |      |             |
|     |      |      |             |
|     |      |      |             |

**DRY SYSTEMS TECHNOLOGIES**

10420 RISING COURT  
 WOODRIDGE, IL 60517  
 Phone: 630-427-2051 Fax: 630-427-1036  
 E-Mail: [eng@drysystemstech.com](mailto:eng@drysystemstech.com)

|             |         |                                  |  |             |   |
|-------------|---------|----------------------------------|--|-------------|---|
| DESCRIPTION |         | 230 HP Cummins 8.3 Reverse Turbo |  | NO RECD     | 1 |
| SCALE       | DATE    | DRAWN BY                         |  | APPROVED BY |   |
| Full        | 5/30/19 | JLW                              |  |             |   |
| DRAWING NO  |         | <b>SECTION 2-01 #1</b>           |  |             |   |

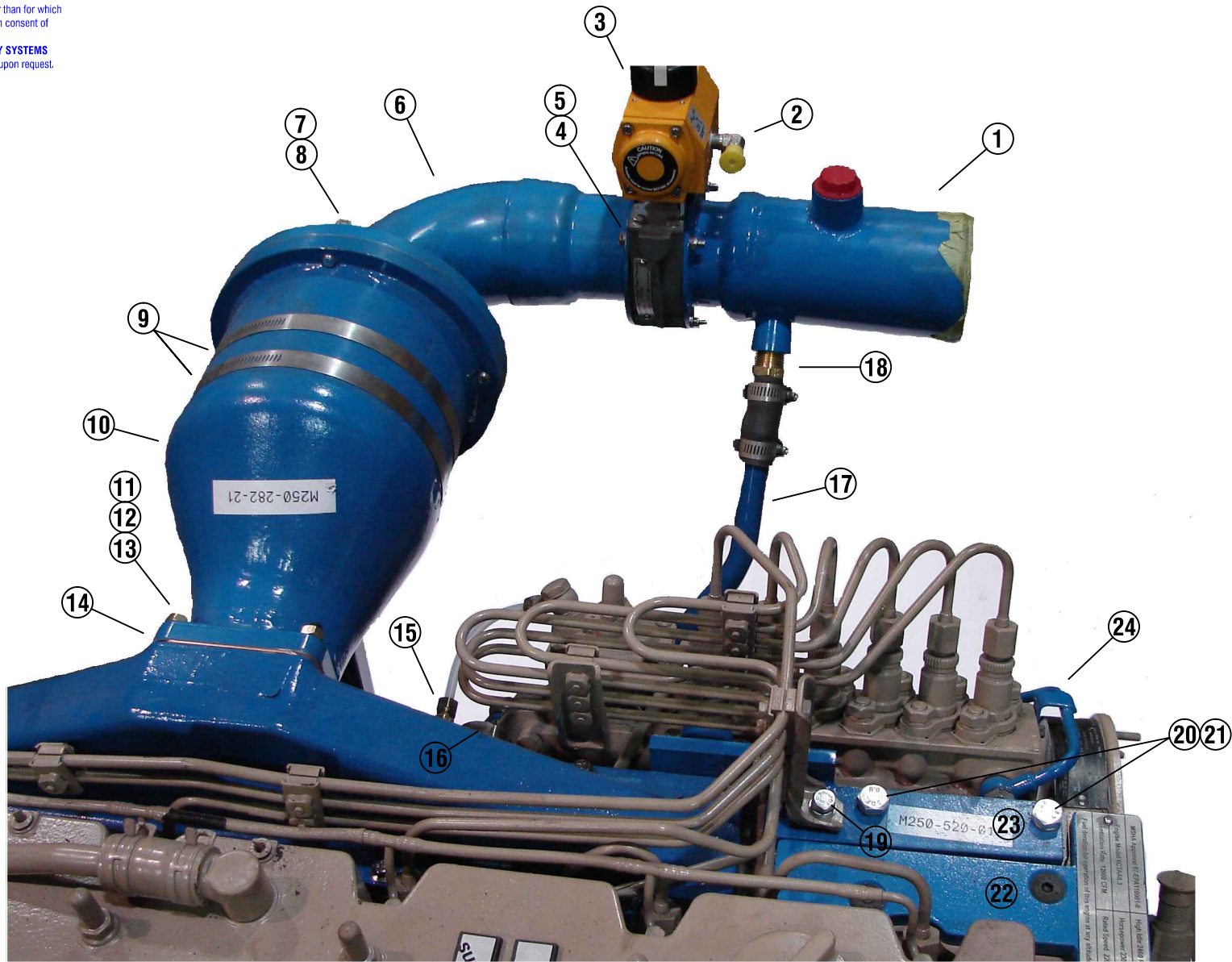


**CONFIDENTIAL & PROPRIETARY**

All data contained in this document is sole property of **DRY SYSTEMS TECHNOLOGIES** and is considered confidential and proprietary.

This document may not be reproduced, released to third parties, or used for purposes other than for which it was furnished, without express written consent of **DRY SYSTEMS TECHNOLOGIES**.

This document remains property of **DRY SYSTEMS TECHNOLOGIES** and must be returned upon request.



**TOLERANCES**

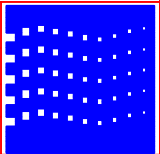
Linear unless noted  
 Machined:  $\pm 0.005$   
 Fabricated:  $\pm 0.02$   
 Angular:  $\pm 1/2^\circ$   
 Surface finish 125

| REV | DATE | NAME | DESCRIPTION |
|-----|------|------|-------------|
|     |      |      |             |
|     |      |      |             |
|     |      |      |             |
|     |      |      |             |
|     |      |      |             |
|     |      |      |             |
|     |      |      |             |
|     |      |      |             |
|     |      |      |             |
|     |      |      |             |

**DRY SYSTEMS TECHNOLOGIES**

10420 RISING COURT  
 WOODRIDGE, IL 60517  
 Phone: 630-427-2051 Fax: 630-427-1036  
 E-Mail: [eng@drysystemstech.com](mailto:eng@drysystemstech.com)

|                                  |         |                 |  |
|----------------------------------|---------|-----------------|--|
| DESCRIPTION                      |         | NO RECD         |  |
| 230 HP Cummins 8.3 Reverse Turbo |         | 1               |  |
| SCALE                            | DATE    | DRAWN BY        |  |
| Full                             | 5/30/19 | JLW             |  |
| MATERIAL                         |         | APPROVED BY     |  |
| DRAWING NO                       |         | SECTION 2-01 #2 |  |



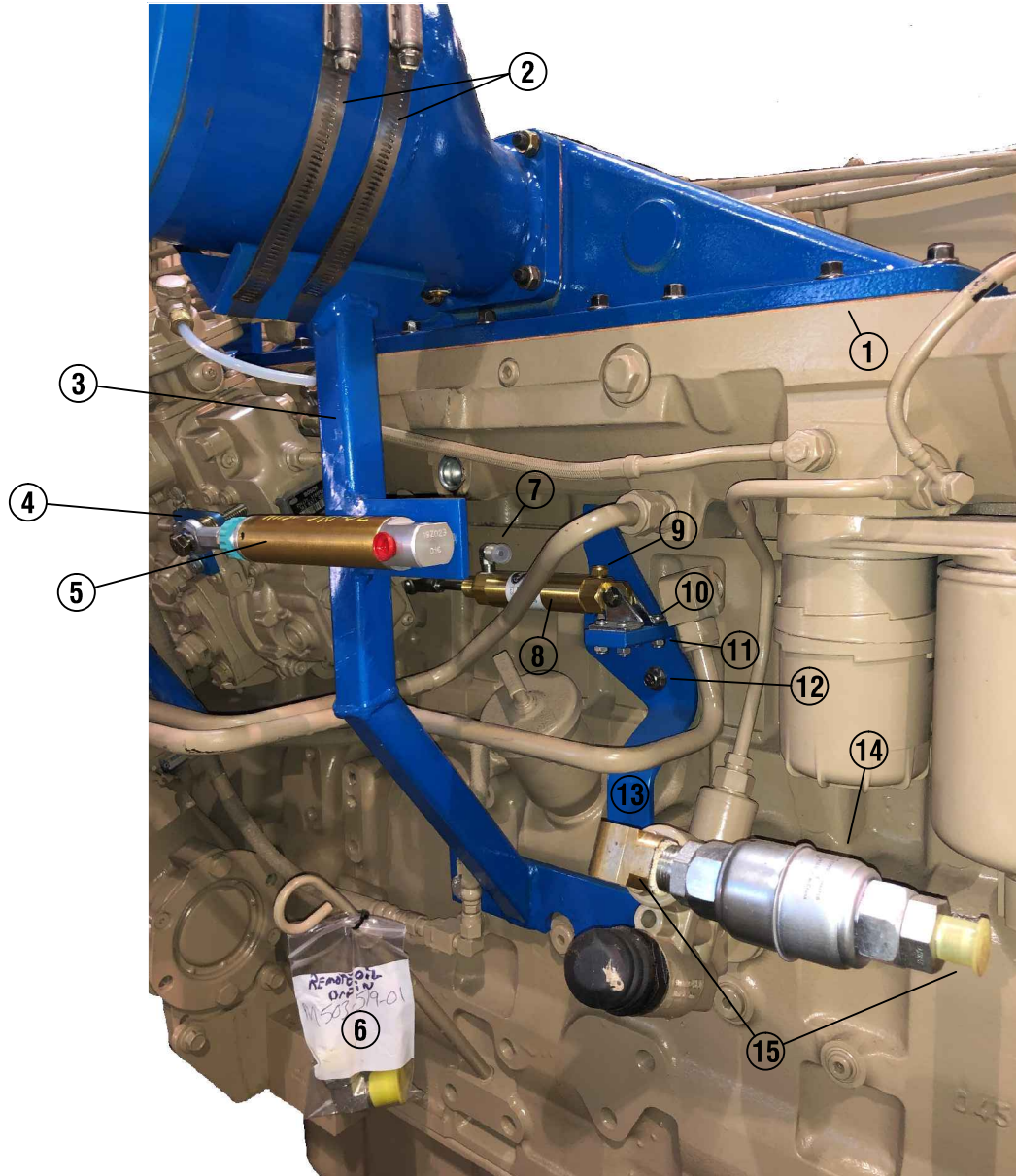


**CONFIDENTIAL & PROPRIETARY**

All data contained in this document is sole property of **DRY SYSTEMS TECHNOLOGIES** and is considered confidential and proprietary.

This document may not be reproduced, released to third parties, or used for purposes other than for which it was furnished, without express written consent of **DRY SYSTEMS TECHNOLOGIES**.

This document remains property of **DRY SYSTEMS TECHNOLOGIES** and must be returned upon request.



**TOLERANCES**

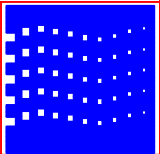
Linear unless noted  
 Machined:  $\pm 0.005$   
 Fabricated:  $\pm 0.02$   
 Angular:  $\pm 1/2^\circ$   
 Surface finish 125

| REV | DATE | NAME | DESCRIPTION |
|-----|------|------|-------------|
|     |      |      |             |
|     |      |      |             |
|     |      |      |             |
|     |      |      |             |
|     |      |      |             |
|     |      |      |             |
|     |      |      |             |
|     |      |      |             |
|     |      |      |             |
|     |      |      |             |

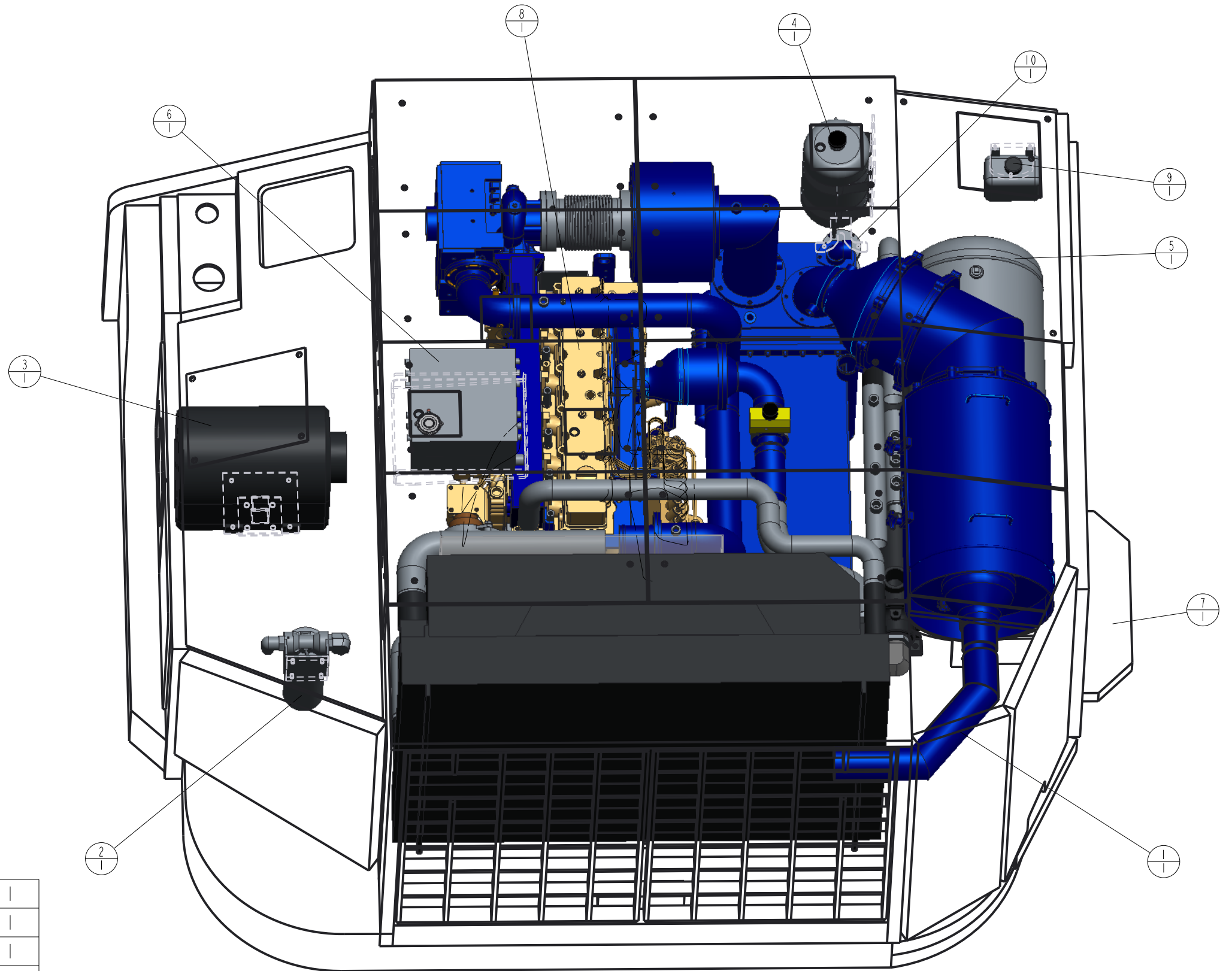
**DRY SYSTEMS TECHNOLOGIES**

10420 RISING COURT  
 WOODRIDGE, IL 60517  
 Phone: 630-427-2051 Fax: 630-427-1036  
 E-Mail: [eng@drysystemstech.com](mailto:eng@drysystemstech.com)

|             |         |                                  |  |             |   |
|-------------|---------|----------------------------------|--|-------------|---|
| DESCRIPTION |         | 230 HP Cummins 8.3 Reverse Turbo |  | NO RECD     | 1 |
| SCALE       | DATE    | DRAWN BY                         |  | APPROVED BY |   |
| Full        | 5/30/19 | JLW                              |  |             |   |
| MATERIAL    |         |                                  |  |             |   |
| DRAWING NO  |         | <b>SECTION 2-01 #3</b>           |  |             |   |



CONFIDENTIAL & PROPRIETARY  
 All data contained in this document is sole property  
 of DRY SYSTEMS TECHNOLOGIES and is considered  
 confidential and proprietary.  
 This document may not be reproduced, released to  
 third parties, or used for purposes other than for which  
 it was furnished, without express written consent of  
 DRY SYSTEMS TECHNOLOGIES.  
 This document remains property of DRY SYSTEMS  
 TECHNOLOGIES and must be returned upon request.



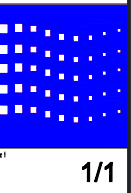
| 10   | M64-610-01     | Pump, Water Injection             | 1   |
|------|----------------|-----------------------------------|-----|
| 9    | M508-511-01    | Water Reservoir                   | 1   |
| 8    | M501064        | Oak Grove, Inby Pkg, Cummins C8.3 | 1   |
| 7    | M384-201-01C   | Frame Covers                      | 1   |
| 6    | M38-710-02     | Tank, Surge                       | 1   |
| 5    | M350-514-01    | Tank, Air 24 GAL                  | 1   |
| 4    | M250-717-01    | Bottle, Coolant Recovery - 3 gal. | 1   |
| 3    | M250-603-01    | Air Cleaner, Vertical             | 1   |
| 2    | M250-505-01    | Full Flow Oil Filter 8.3 (Kit)    | 1   |
| 1    | EXHAUST_OUTLET | exhaust_outlet.prt                | 1   |
| ITEM | PART NUMBER    | DESCRIPTION                       | QTY |

TOLERANCES  
 Linear unless noted  
 Machined:  $\pm 0.005$   
 Fabricated:  $\pm 0.01$   
 Angular:  $\pm 1/2^\circ$   
 Surface finish 125  
 Third angle projection

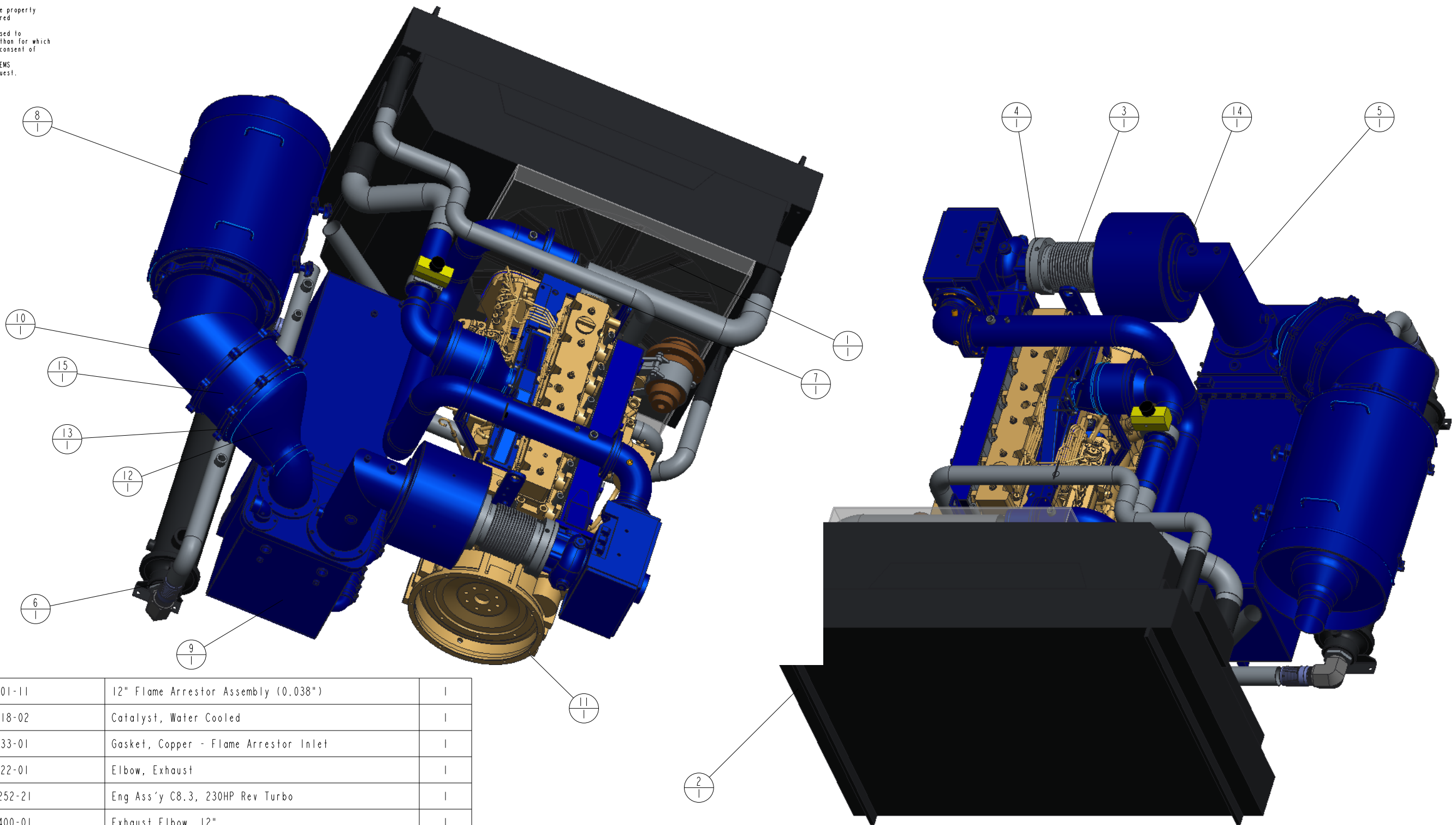
| REV | DATE | NAME | DESCRIPTION |
|-----|------|------|-------------|
|     |      |      |             |
|     |      |      |             |
|     |      |      |             |

**DRY SYSTEMS  
 TECHNOLOGIES**  
 10420 RISING COURT  
 WOODRIDGE, IL 60517  
 Phone: 630-427-2051  
 Fax: 630-427-1036  
 E-Mail: eng@drysystemstech.com

| Description                | No. Req'd               |
|----------------------------|-------------------------|
| <b>CAT 650D #1</b>         |                         |
| Scale: <b>0.075</b>        | Date: <b>5/6/2019</b>   |
| Drawn By: <b>JDF</b>       |                         |
| Material: <b>See BOM</b>   | Approved By: <b>JDF</b> |
| Drawing No. <b>M400533</b> | Sheet <b>1/1</b>        |



CONFIDENTIAL & PROPRIETARY  
 All data contained in this document is sole property  
 of DRY SYSTEMS TECHNOLOGIES and is considered  
 confidential and proprietary.  
 This document may not be reproduced, released to  
 third parties, or used for purposes other than for which  
 it was furnished, without express written consent of  
 DRY SYSTEMS TECHNOLOGIES.  
 This document remains property of DRY SYSTEMS  
 TECHNOLOGIES and must be returned upon request.



| 15   | M90-501-11   | 12" Flame Arrestor Assembly (0.038")      | 1   |
|------|--------------|---|-----|
| 14   | M90-218-02   | Catalyst, Water Cooled                    | 1   |
| 13   | M90-133-01   | Gasket, Copper - Flame Arrestor Inlet     | 1   |
| 12   | M90-122-01   | Elbow, Exhaust                            | 1   |
| 11   | M500-252-21  | Eng Ass'y C8.3, 230HP Rev Turbo           | 1   |
| 10   | M384-400-01  | Exhaust Elbow, 12"                        | 1   |
| 9    | M332-301-01  | Heat Exchanger Assembly                   | 1   |
| 8    | M281-430-03  | Housing, 16" Filter (Bolt-on)             | 1   |
| 7    | M250-733-01  | Adapter, Fan Hub                          | 1   |
| 6    | M250-727-01  | Cooler, Oil - Water Cooled, 6" dia. x 42" | 1   |
| 5    | M250-241-01  | Elbow, Water Cooled                       | 1   |
| 4    | M250-232-31  | Gasket, Outlet                            | 1   |
| 3    | M250-205-01  | Bellows Assembly                          | 1   |
| 2    | M208-705-02C | Radiator Ass'y Modified                   | 1   |
| 1    | M201-715-30  | Fan, 32" Pusher                           | 1   |
| ITEM | PART NUMBER  | DESCRIPTION                               | QTY |

| TOLERANCES               |      |      |             |
|--------------------------|------|------|-------------|
| Linear unless noted      |      |      |             |
| Machined: $\pm 0.005$    |      |      |             |
| Fabricated: $\pm 0.01$   |      |      |             |
| Angular: $\pm 1/2^\circ$ |      |      |             |
| Surface finish 125       |      |      |             |
| Third angle projection   |      |      |             |
| REV                      | DATE | NAME | DESCRIPTION |
|                          |      |      |             |
|                          |      |      |             |
|                          |      |      |             |
|                          |      |      |             |

**DRY SYSTEMS TECHNOLOGIES**  
 10420 RISING COURT  
 WOODRIDGE, IL 60517  
 Phone: 630-427-2051  
 Fax: 630-427-1036  
 E-Mail: eng@drysystemstech.com

|  |                          |                        |
|--|--------------------------|------------------------|
| Description<br><b>Oak Grove Inby Pkg, Cummins C8.3</b> |                          | No. Req'd              |
| Scale<br><b>0.075</b>                                  | Date<br><b>3/13/2019</b> | Drawn By<br><b>JDF</b> |
| Material<br><b>See BOM</b>                             |                          | Approved By            |
| Drawing No.<br><b>M501064</b>                          |                          | Sheet<br><b>1/1</b>    |

