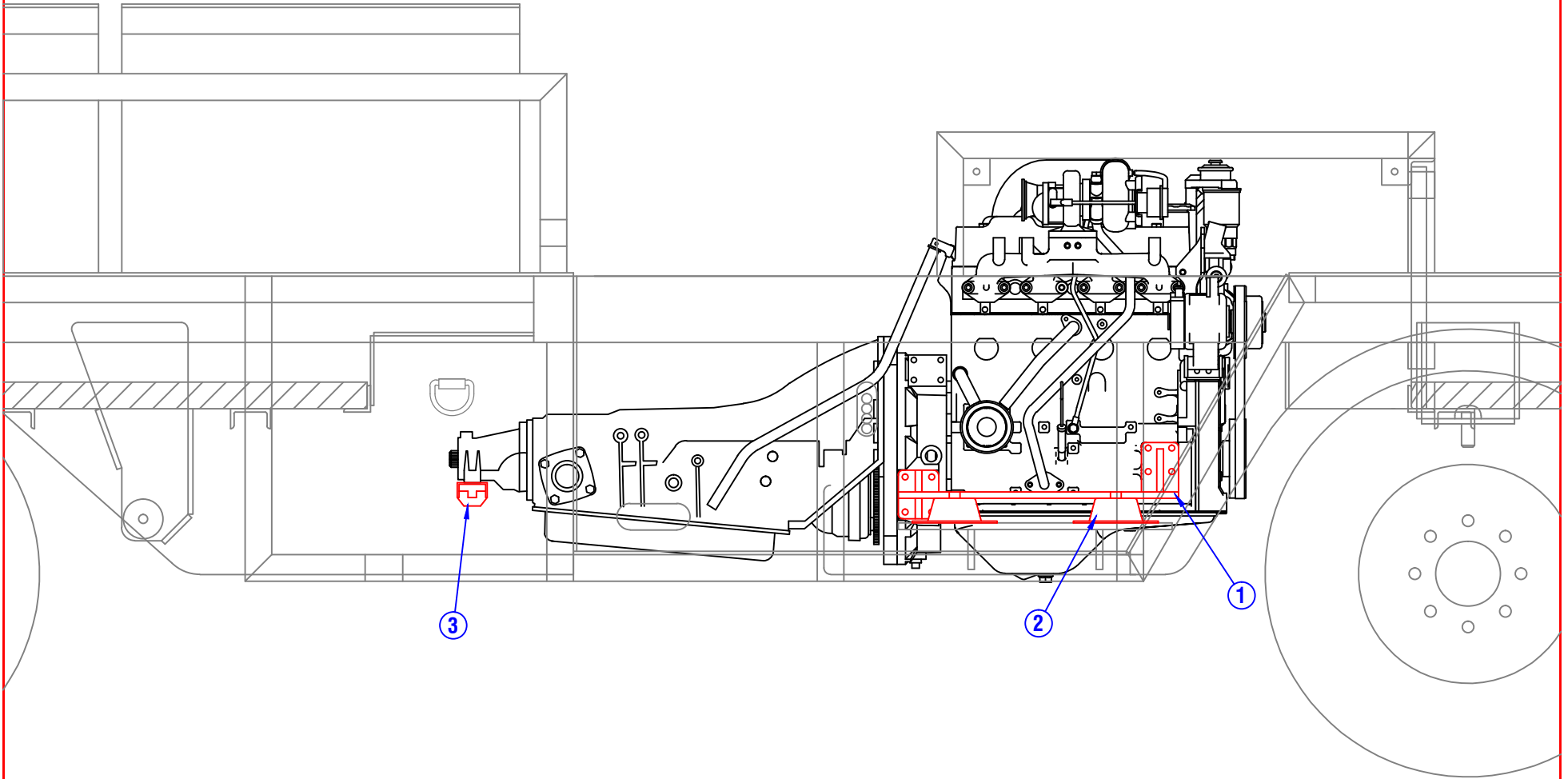


CONFIDENTIAL & PROPRIETARY

All data contained in this document is sole property of **DRY SYSTEMS TECHNOLOGIES** and is considered confidential and proprietary.

This document may not be reproduced, released to third parties, or used for purposes other than for which it was furnished, without express written consent of **DRY SYSTEMS TECHNOLOGIES**.

This document remains property of **DRY SYSTEMS TECHNOLOGIES** and must be returned upon request.

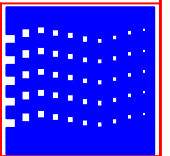


SECTION 2-01

TOLERANCES			
Linear unless noted			
Machined: ±0.005			
Fabricated: ±0.02			
Angular: ±1/2°			
Surface finish 125			
REV	DATE	NAME	DESCRIPTION

DRY SYSTEMS TECHNOLOGIES
 10420 RISING COURT
 WOODRIDGE, IL 60517
 Phone: 630-427-2051 Fax: 630-427-1036
 E-Mail: eng@drysystemstech.com

DESCRIPTION		NO RECD
ENGINE MOUNT INSTALLATION		1
SCALE	DATE	DRAWN BY
Full	Oct 12 2017	W Fox
MATERIAL		APPROVED BY
DRAWING NO		
ENGINE MOUNTS		



ENGINE MOUNT INSTALLATION

ITEM	PART NUMBER	QUAN.	DESCRIPTION	Notes
1	M379-233-02	1	Motor Mount - Offside	
	M379-233-01	1	Motor Mount - Onside	Not Shown
	M515-500-51	8	SHCS M10-1.5 x 30 GR 8	Engine Front Mount Bolts
	M379-520-04	8	Nord Locks, M10	
	M515-500-52	8	SHCS M12-1.75 x 35 GR 8	Engine Rear Mount Bolts
	M379-520-05	8	Nord Locks, M12	
2	M379-520-03	4	Mount, Vibration Dampening	
	M515-500-05	8	HHCS 1/2-13 x 1 1/2 GR 8	Mount to Frame Bolts
	M379-520-05	8	Nord Locks, 1/2	
	M507-108-01	8	Nuts, 1/2	
	M503-560-02	4	HHCS 3/4-10 x 1 3/4 GR 8	Mount to Engine
	M379-52-06	4	Nord Locks, 3/4	
3	M379-500-13	1	Mount, Transmission	
	M515-500-51	2	HHCS M10-1.5 x 30 GR 8	Mount to Transmission
	M379-520-04	2	Nord Locks, M10	
	M515-500-03	2	HHCS 7/16 -14 x 1 Gr 8	Mount to Frame
	M379-510-12	2	Nord Locks, 7/16	