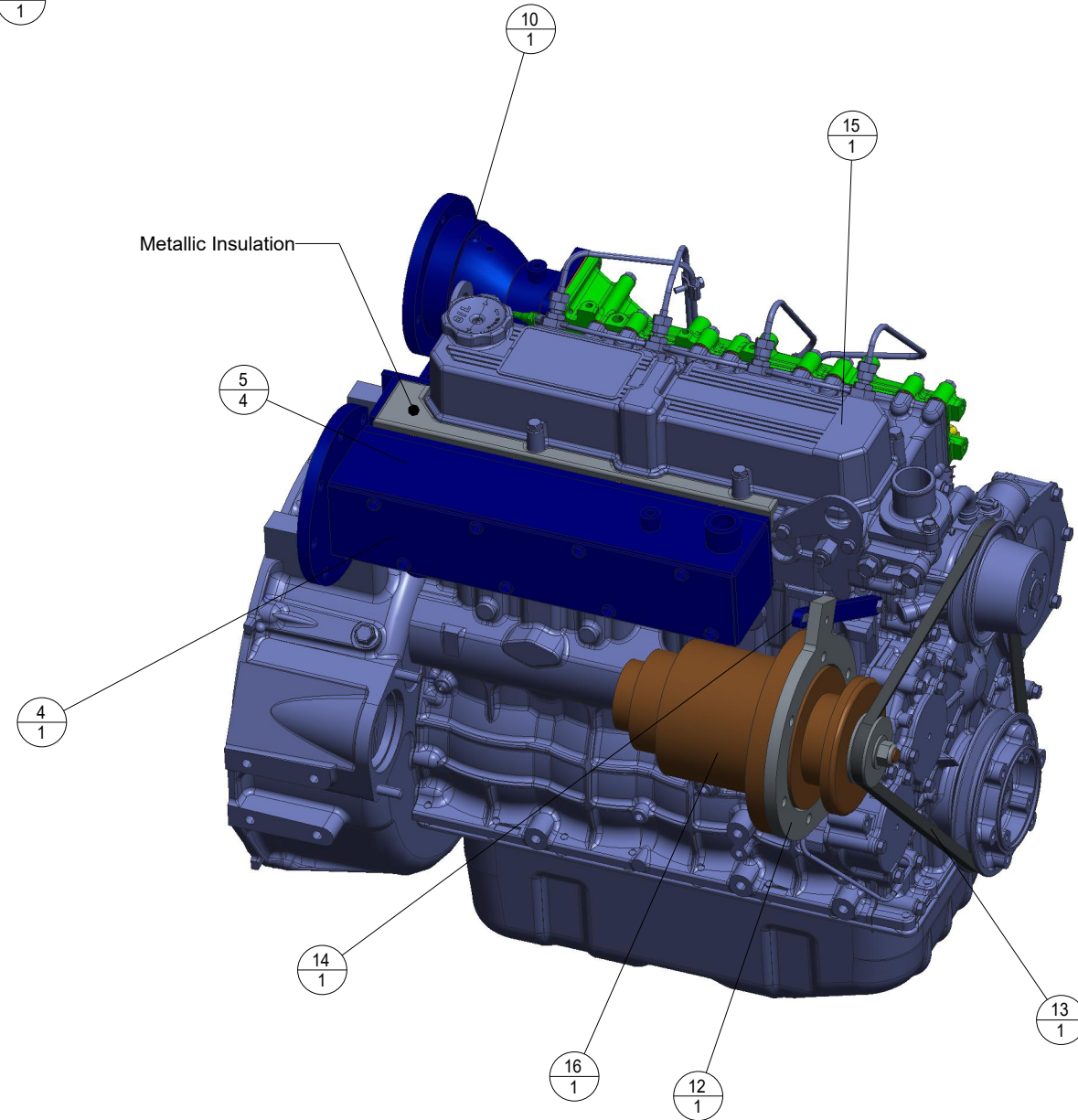
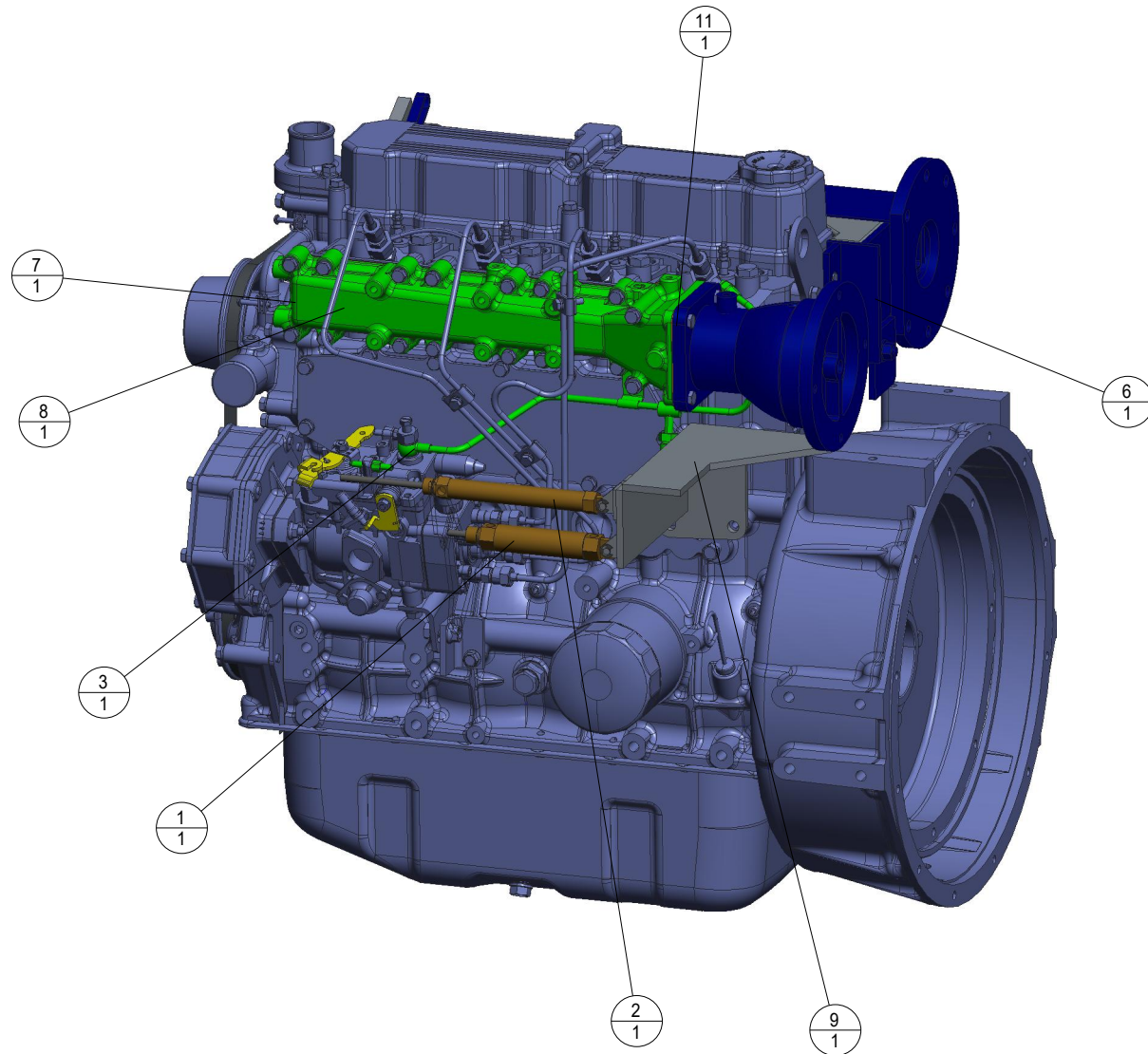


CONFIDENTIAL & PROPRIETARY
 All data contained in this document is sole property
 of DRY SYSTEMS TECHNOLOGIES and is considered
 confidential and proprietary.
 This document may not be reproduced, released to
 third parties, or used for purposes other than for which
 it was furnished, without express written consent of
 DRY SYSTEMS TECHNOLOGIES.
 This document remains property of DRY SYSTEMS
 TECHNOLOGIES and must be returned upon request.



16	M500-521-01	Alternator, XP - 12V 25A	1
15	M500-262-01	Engine Spec, Mitsubishi S4S, 63HP	1
14	M389-521-01B	Tensioner Bracket	1
13	M389-521-01	Alternator Belt,	1
12	M389-515-01	Plate, Alternator Mounting	1
11	M389-510-01	Gasket, Intake Flame Arrestor	1
10	M389-500-01	Flame Arrestor, Intake	1
9	M389-277-01	Cylinder Mount	1
8	M389-210-30	Intake Manifold (Modified)	1
7	M389-210-20	Gasket, Intake Manifold	1
6	M389-210-01B	Bracket, Water Tube	1
5	M389-209-20	Gasket, Exhaust Manifold	4
4	M389-209-01	Manifold, Water Cooled	1
3	M389-205-01	Fuel Line Mod	1
2	M354-521-01	Cylinder, Hyd. - 0.50 bore x 2.75 stroke	1
1	M353-502-01	Cylinder, Air - 0.75 bore x 1.25 stroke	1
ITEM	PART NUMBER	DESCRIPTION	QTY

TOLERANCES
 Linear unless noted
 Machined: ± 0.005
 Fabricated: ± 0.01
 Angular: $\pm 1/2^\circ$
 Surface finish 125
 Third angle projection

REV	DATE	NAME	DESCRIPTION

**DRY SYSTEMS
 TECHNOLOGIES**
 10420 RISING COURT
 WOODRIDGE, IL 60517
 Phone: 630-427-2051
 Fax: 630-427-1036
 E-Mail: eng@drysystemstech.com

Description		Mitsubishi S4S Engine		No. Rept
Scale	0.150	Date	9/18/2019	Drawn By
Material	See BOM	Approved By	JLW	
Drawing No.	M500-262-11			Sheet

