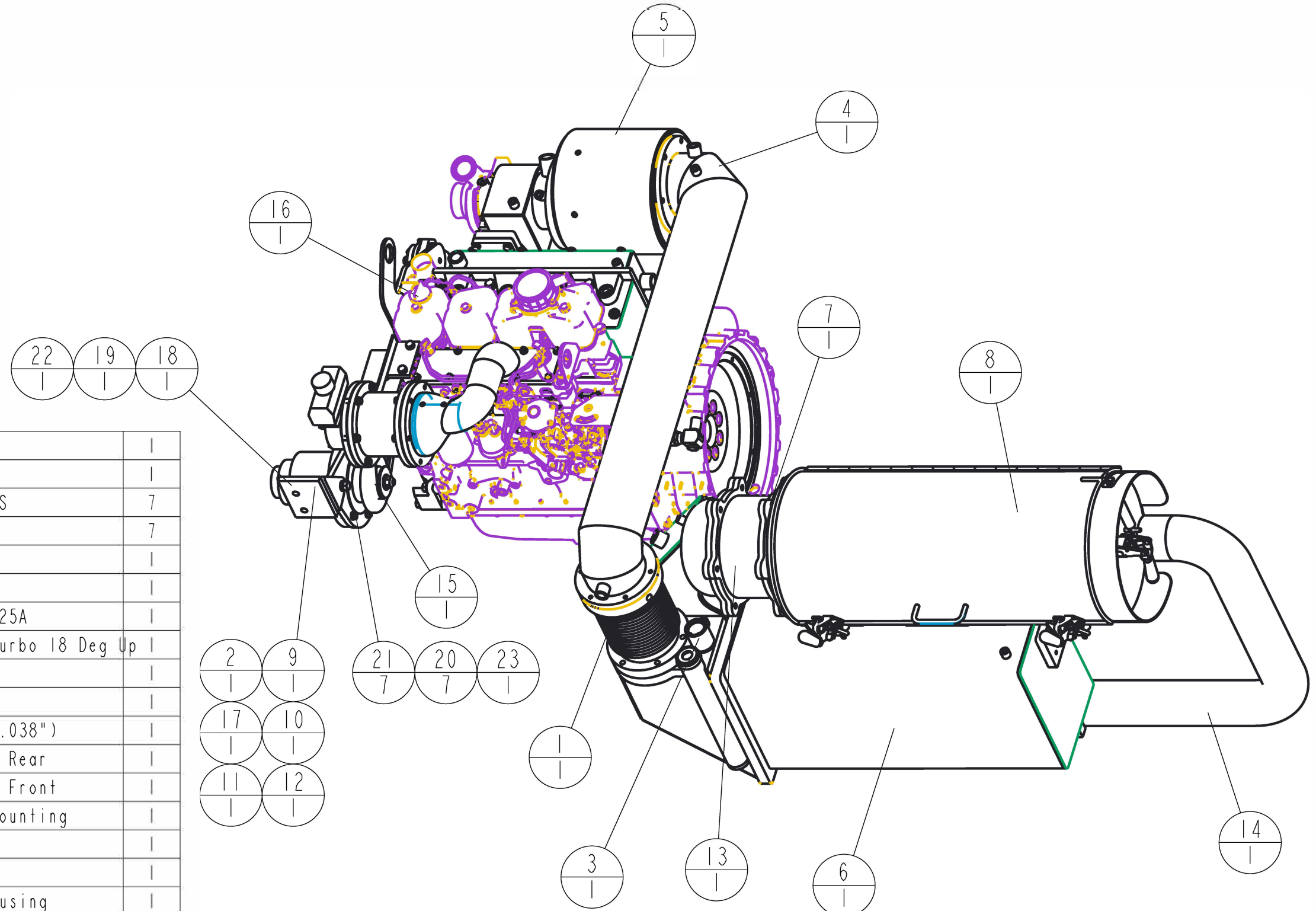


CONFIDENTIAL & PROPRIETARY
 All data contained in this document is sole property
 of DRY SYSTEMS TECHNOLOGIES and is considered
 confidential and proprietary.
 This document may not be reproduced, released to
 third parties, or used for purposes other than for which
 it was furnished, without express written consent of
 DRY SYSTEMS TECHNOLOGIES.
 This document remains property of DRY SYSTEMS
 TECHNOLOGIES and must be returned upon request.



23	M600-190-01	Washer, 3/8	1
22	M600-179-01	Bolt, 1/2-13x5.5 HHCS	1
21	M600-124-01	Bolt, 3/8-16x1.25 HHCS	7
20	M600-123-01	Washer, 3/8" lock	7
19	M600-110-01	Washer, 1/2" lock	1
18	M600-108-01	Nut, 0.50-13 hex	1
17	M500-521-01	Alternator, XP - 12V 25A	1
16	M500-256-21	Engine Asm, FPT N45 Turbo 18 Deg Up	1
15	M387-524-01	V Belt	1
14	M387-211-01	Exhaust Pipe	1
13	M38-542-01	Arrestor, 8" Flame (0.038")	1
12	M354-522-02	Bushing, Alt. Mount - Rear	1
11	M354-522-01	Bushing, Alt. Mount - Front	1
10	M354-518-01	Bracket, Alternator Mounting	1
9	M354-514-01	Mount, Alternator	1
8	M354-401-01	Housing, 10" Filter	1
7	M354-336-01	Spacer, 10" Filter Housing	1
6	M354-301-01	Heat Exchanger	1
5	M354-230-01	Catalyst Assembly	1
4	M354-212-01	Elbow, Cat to Bellows - LH	1
3	M290-540-01	Injector, Cone Spray Water	1
2	M250-523-01	Slide, Alternator	1
1	M250-205-01	Bellows Assembly	1
ITEM	PART NUMBER	DESCRIPTION	QTY

TOLERANCES
 Linear unless noted
 Machined: ±0.005
 Fabricated: ±0.01
 Angular: ±1/2°
 Surface finish 125
 Third angle projection

REV	DATE	NAME	DESCRIPTION

DRY SYSTEMS TECHNOLOGIES
 10420 RISING COURT
 WOODRIDGE, IL 60517
 Phone: 630-427-2051
 Fax: 630-427-1036
 E-Mail: enq@drysystemstech.com

Description		Tutor Perini, FPT N45, Inby Pkg		Rev. Req'd	
Scale	0.100	Date	2/4/2019	Drawn By	JDF
Material	See BOM		Approved By		
Drawing No.	M501058			Sheet	1/1