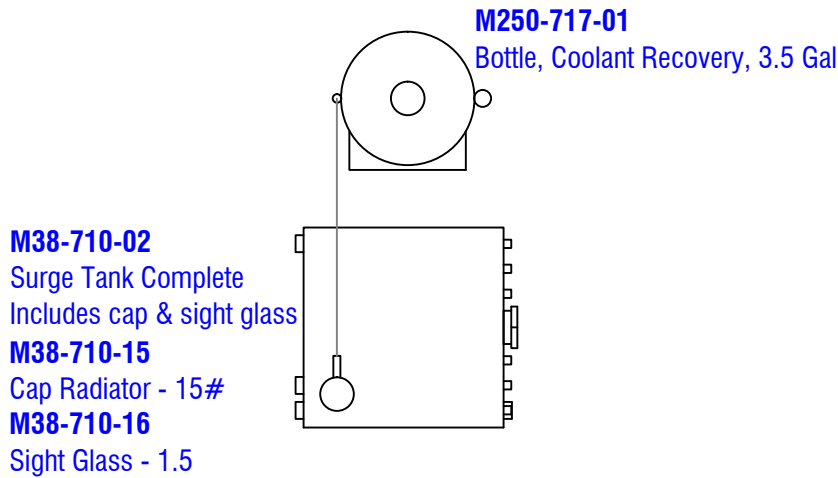
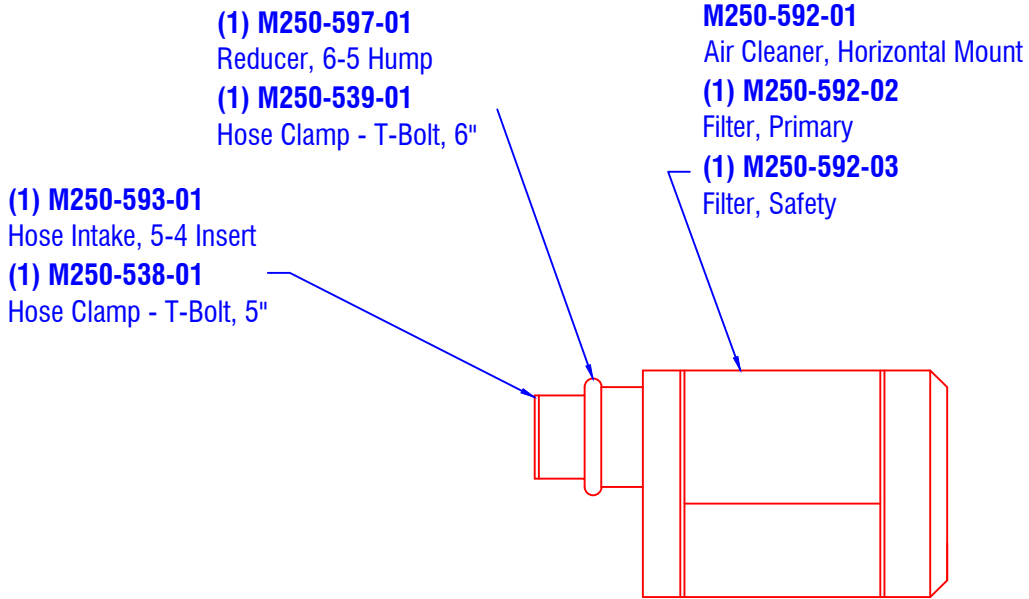


All data contained in this document is sole property of **DRY SYSTEMS TECHNOLOGIES** and is considered confidential and proprietary. This document may not be reproduced, released to third parties, or used for purposes other than for which it was furnished, without express written consent of **DRY SYSTEMS TECHNOLOGIES**. This document remains property of **DRY SYSTEMS TECHNOLOGIES** and must be returned upon request.



<b>TOLERANCES</b> Linear unless noted Machined: ±0.005 Fabricated: ±0.01 Angular: ±1/2° Surface finish 125				<b>DRY SYSTEMS TECHNOLOGIES</b> 10420 RISING COURT WOODRIDGE, IL 60517 Phone: 630-427-2051 Fax: 630-427-1036 E-Mail: eng@dryssystemstech.com	DESCRIPTION <b>INTAKE FILTER &amp; SURGE TANK</b>	NO RECD	
					SCALE FULL	DATE OCT 10 2019	DRAWN BY Ward Fox
					MATERIAL See Detail Drawings		APPROVED BY (Signature)
					DRAWING NO. <b>SECTION 2-02</b>		