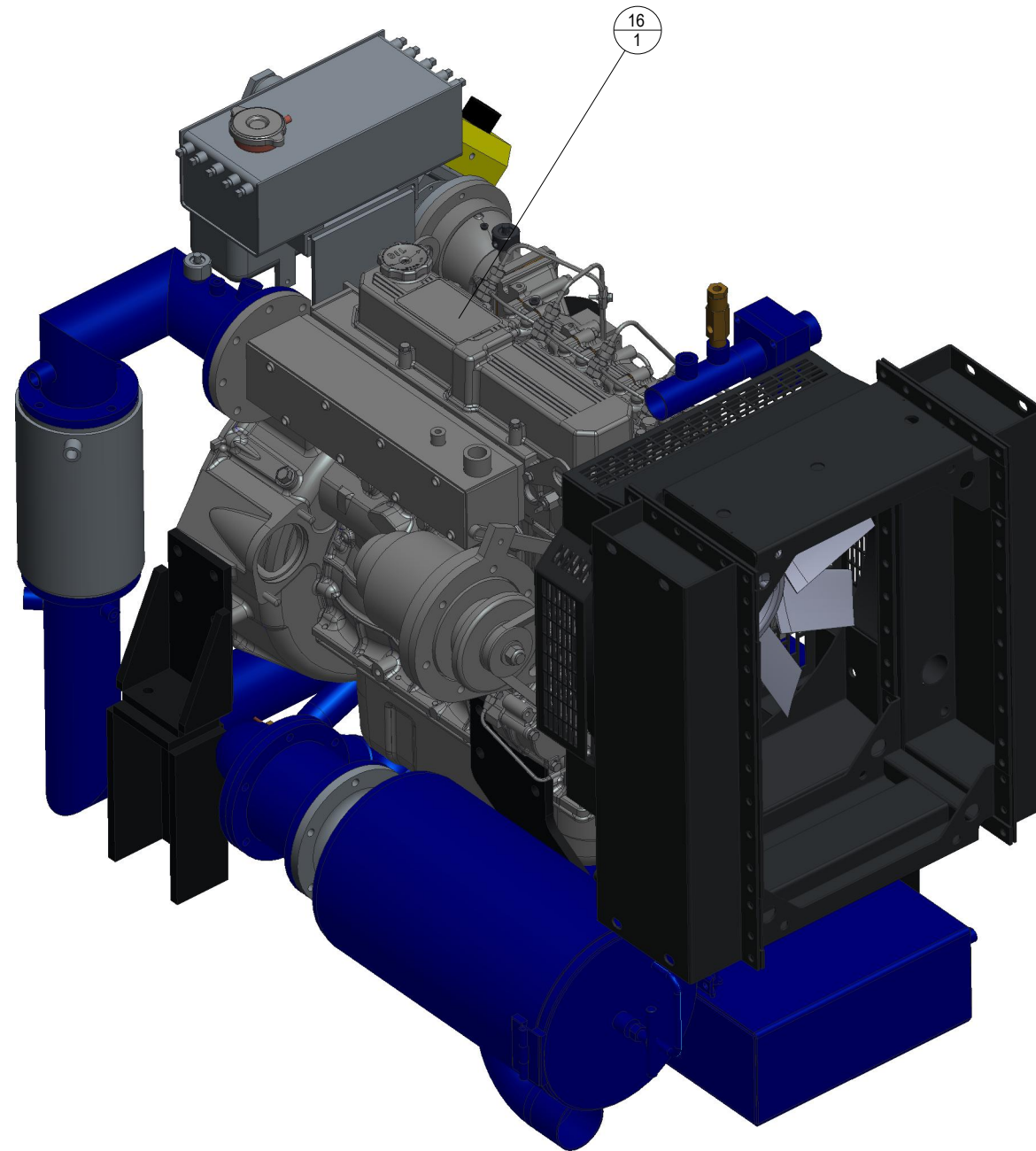


CONFIDENTIAL & PROPRIETARY
 All data contained in this document is sole property
 of DRY SYSTEMS TECHNOLOGIES and is considered
 confidential and proprietary.
 This document may not be reproduced, released to
 third parties, or used for purposes other than for which
 it was furnished, without express written consent of
 DRY SYSTEMS TECHNOLOGIES.
 This document remains property of DRY SYSTEMS
 TECHNOLOGIES and must be returned upon request.



19	M98-501-11	Flame Arrestor, 5" - 0.038"	1
18	M98-202-02	Bellows Assembly	1
17	M508-511-01	Water Reservoir	1
16	M500-262-11	Engine Assy, Mitsubishi S4S CAT A	1
15	M40-595-01	Port Assembly, Flame Proof	2
14	M389-715-40	Fan, 18" Puller	1
13	M389-705-01C	Radiator Ass'y	1
12	M389-600-01	Intake Air Cleaner	1
11	M389-301-01	Heat Exchanger	1
10	M389-275-01	Adapter, FA to FH	1
9	M389-274-01	Pipe, Water Cooled (Cat to Bellows)	1
8	M389-272-01	Pipe, HE to FA	1
7	M389-270-01	Pipe, Water Cooled (Ex Man to Cat)	1
6	M388-200-01	Catalyst, 5", Water-Cooled	1
5	M30-552-01	Valve, Coolant Temperature	1
4	M270-435-01	Housing Assembly, 8" Filter	1
3	M250-544-01	Valve, Diesel Engine Shutdown	1
2	M241-725-31	Thermostat, 180 F, 1.75 DIA	1
1	M231-720-01	Tank, Surge	1
ITEM	PART NUMBER	DESCRIPTION	QTY

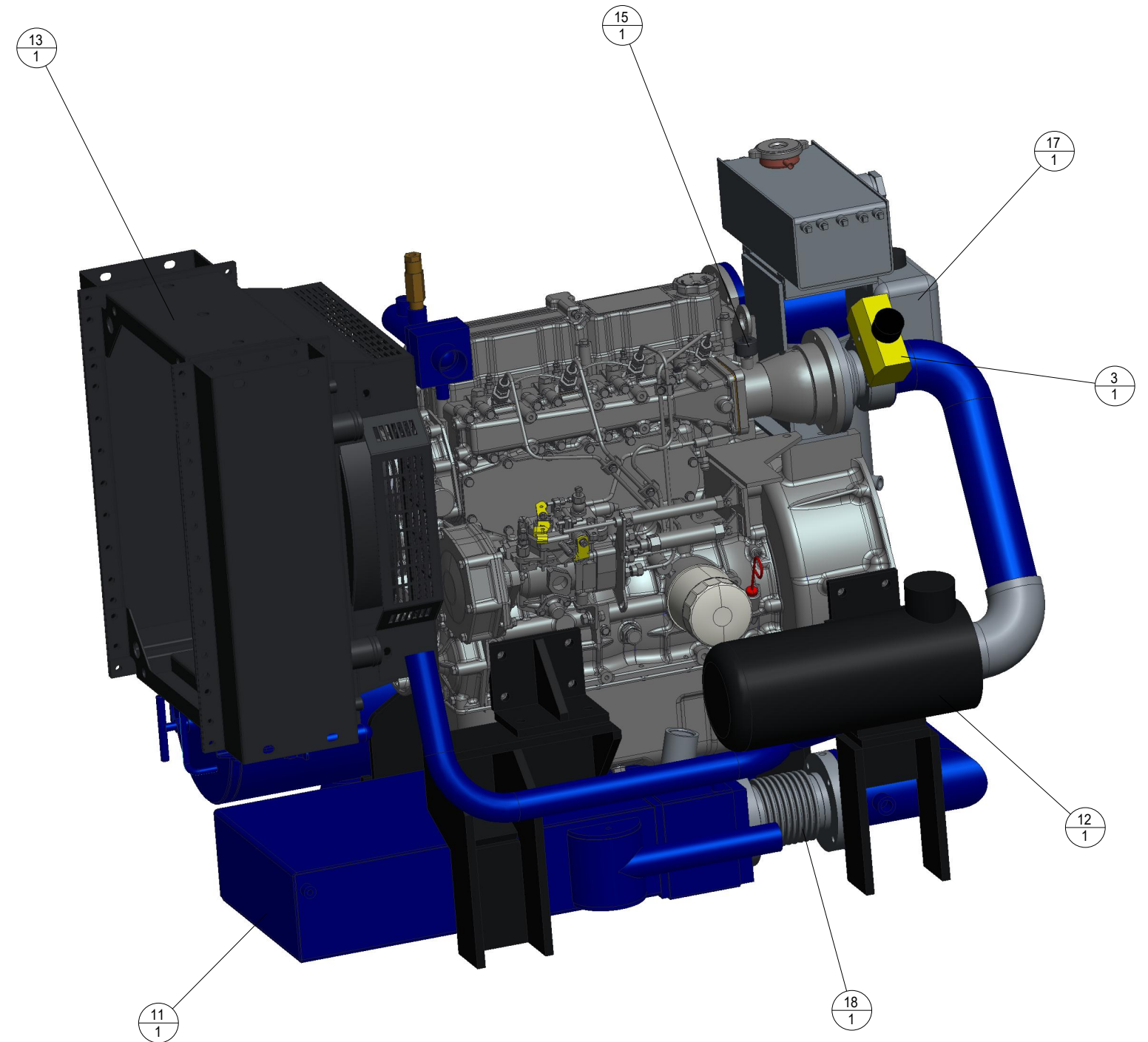
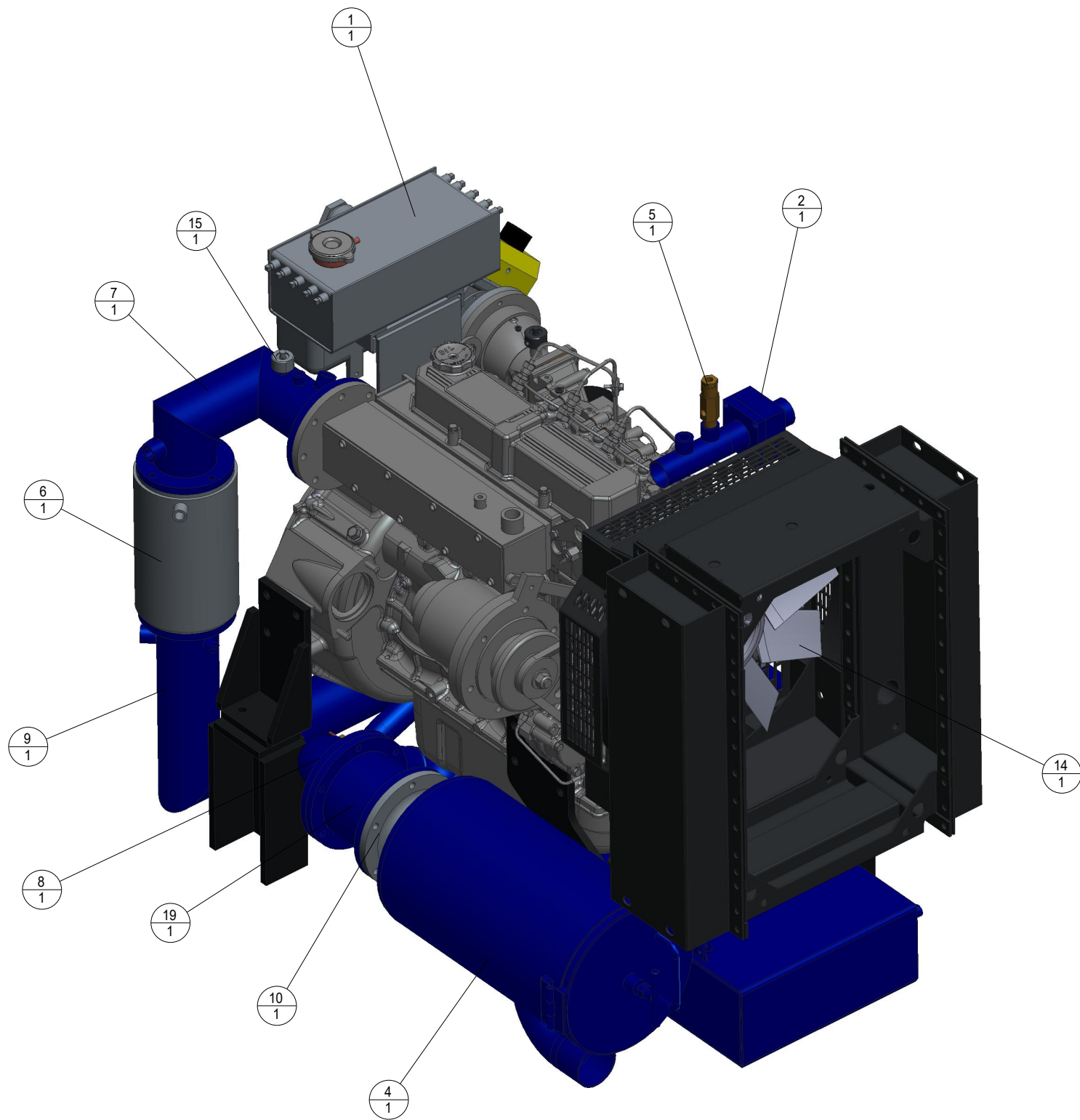
TOLERANCES
 Linear unless noted
 Machined: ± 0.005
 Fabricated: ± 0.01
 Angular: $\pm 1/2^\circ$
 Surface finish 125
 Third angle projection

REV	DATE	NAME	DESCRIPTION

**DRY SYSTEMS
 TECHNOLOGIES**
 10420 RISING COURT
 WOODRIDGE, IL 60517
 Phone: 630-427-2051
 Fax: 630-427-1036
 E-Mail: eng@drysystemstech.com

Revision:	Tutor Perini, Mitsubishi S4S 64HP	No. Reqd:	
Scale:	0.120	Date:	9/16/19
Drawn By:	JLW	Approved By:	
Material:	See BOM	Drawing No.:	M501059

CONFIDENTIAL & PROPRIETARY
 All data contained in this document is sole property
 of DRY SYSTEMS TECHNOLOGIES and is considered
 confidential and proprietary.
 This document may not be reproduced, released to
 third parties, or used for purposes other than for which
 it was furnished, without express written consent of
 DRY SYSTEMS TECHNOLOGIES.
 This document remains property of DRY SYSTEMS
 TECHNOLOGIES and must be returned upon request.



TOLERANCES
 Linear unless noted
 Machined: ± 0.005
 Fabricated: ± 0.01
 Angular: $\pm 1/2^\circ$
 Surface finish 125
 Third angle projection

REV	DATE	NAME	DESCRIPTION

**DRY SYSTEMS
 TECHNOLOGIES**
 10420 RISING COURT
 WOODRIDGE, IL 60517
 Phone: 630-427-2051
 Fax: 630-427-1036
 E-Mail: eng@drysystemstech.com

Description: Tutor Perini, Mitsubishi S4S 63Hp		No. Reqd:
Scale: 0.120	Date: 9/16/19	Drawn By: JLW
Material: See BOM		Approved By:
Drawing No. M501059		Sheet

