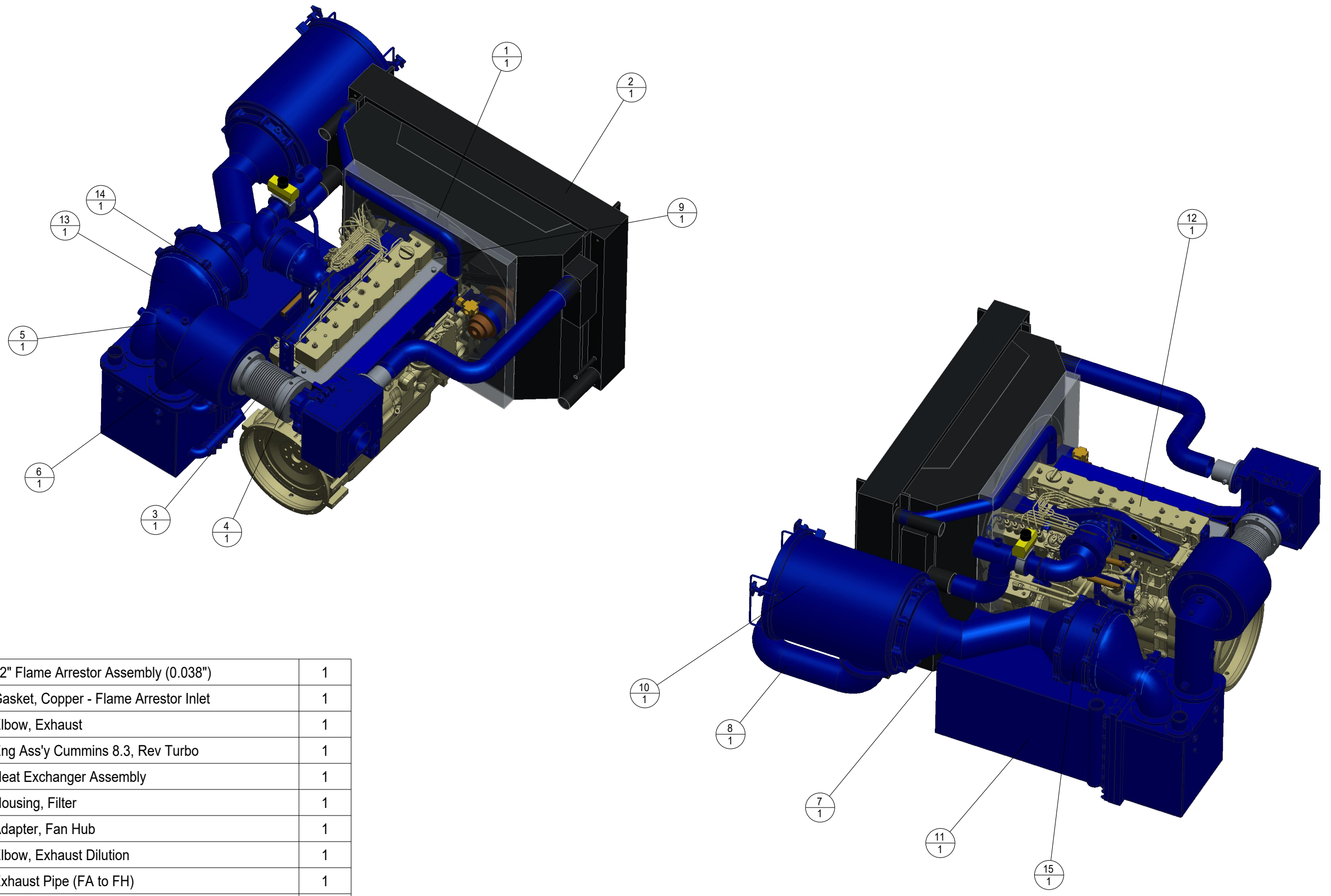


CONFIDENTIAL & PROPRIETARY  
 All data contained in this document is sole property  
 of DRY SYSTEMS TECHNOLOGIES and is considered  
 confidential and proprietary.  
 This document may not be reproduced, released to  
 third parties, or used for purposes other than for which  
 it was furnished, without express written consent of  
 DRY SYSTEMS TECHNOLOGIES.  
 This document remains property of DRY SYSTEMS  
 TECHNOLOGIES and must be returned upon request.



15	M90-501-11	12" Flame Arrestor Assembly (0.038")	1
14	M90-133-01	Gasket, Copper - Flame Arrestor Inlet	1
13	M90-122-01	Elbow, Exhaust	1
12	M500-211-33	Eng Ass'y Cummins 8.3, Rev Turbo	1
11	M332-301-11	Heat Exchanger Assembly	1
10	M310-410-01	Housing, Filter	1
9	M250-733-01	Adapter, Fan Hub	1
8	M250-420-01	Elbow, Exhaust Dilution	1
7	M250-410-01	Exhaust Pipe (FA to FH)	1
6	M250-260-01	Catalyst, Water Cooled	1
5	M250-241-01	Elbow, Water Cooled	1
4	M250-232-31	Gasket, Outlet	1
3	M250-205-01	Bellows Assembly	1
2	M230-705-01C	Radiator Complete	1
1	M201-715-30	Fan, 32" Pusher	1
ITEM	PART NUMBER	DESCRIPTION	QTY

TOLERANCES  
 Linear unless noted  
 Machined:  $\pm 0.005$   
 Fabricated:  $\pm 0.01$   
 Angular:  $\pm 1/2^\circ$   
 Surface finish 125  
 Third angle projection

REV	DATE	NAME	DESCRIPTION

**DRY SYSTEMS  
 TECHNOLOGIES**  
 10420 RISING COURT  
 WOODRIDGE, IL 60517  
 Phone: 630-427-2051  
 Fax: 630-427-1036  
 E-Mail: eng@drysystemstech.com

Description: JH Fletcher, Cummins 8.3 INBY  
 Scale: 0.060 Date: 10/1/19 Drawn By: JLW  
 Material: See BOM Approved By:  
 Drawing No. **M501067** Sheet

