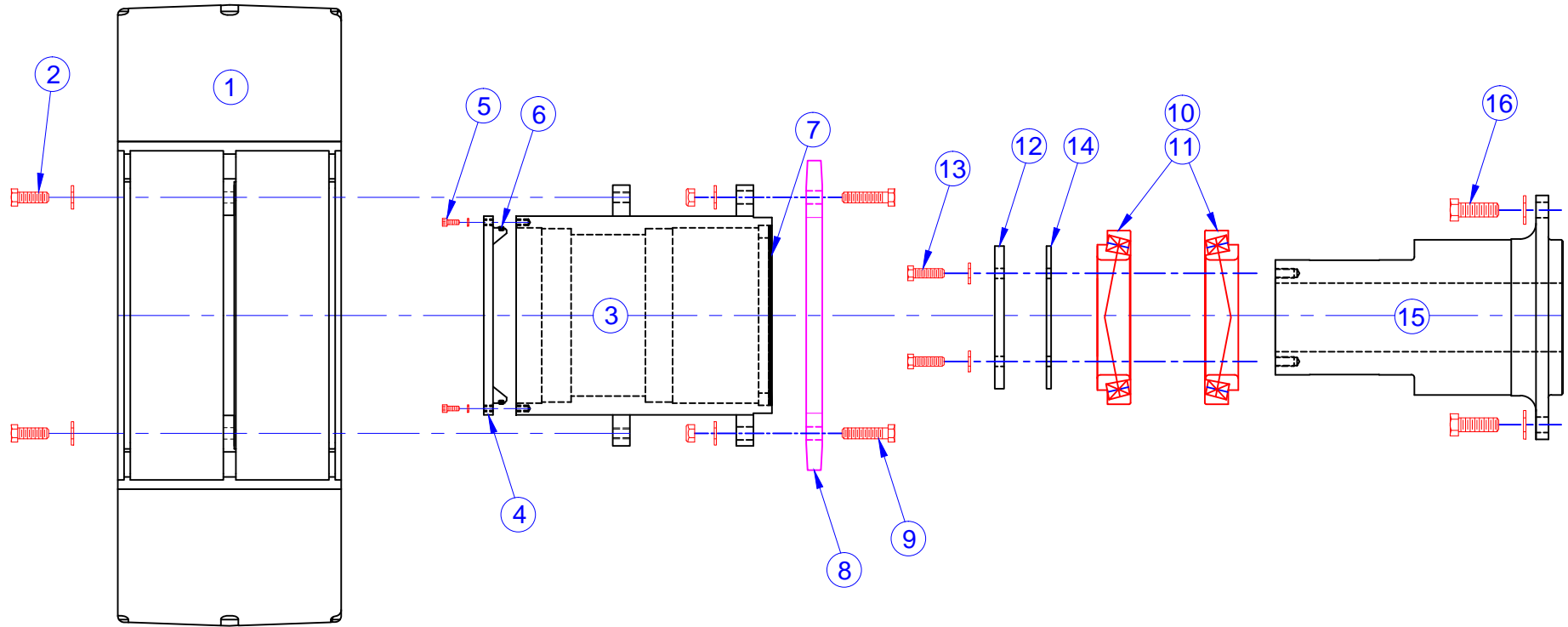


All data contained in this document is sole property of **DRY SYSTEMS TECHNOLOGIES** and is considered confidential and proprietary. This document may not be reproduced, released to third parties, or used for purposes other than for which it was furnished, without express written consent of **DRY SYSTEMS TECHNOLOGIES**. This document remains property of **DRY SYSTEMS TECHNOLOGIES** and must be returned upon request.

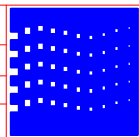


**TOLERANCES**  
 Linear unless noted  
 Machined:  $\pm 0.005$   
 Fabricated:  $\pm 0.02$   
 Angular:  $\pm 1/2^\circ$   
 Surface finish 125

REV	DATE	NAME	DESCRIPTION

**DRY SYSTEMS TECHNOLOGIES**  
 10420 RISING COURT  
 WOODRIDGE, IL 60517  
 Phone: 630-427-2051 Fax: 630-427-1036  
 E-Mail: eng@drysystemstech.com

DESCRIPTION	SPINDLE - HUB ASSEMBLY		NO REQ'D
SCALE	DATE	DRAWN BY	
FULL	DEC 01 2015	WEF	
MATERIAL	APPROVED BY		
DRAWING NO	SECTION 2-02		



**SPINDLE & HUB ASSEMBLY**

ITEM	PART NUMBER	QUAN.	DESCRIPTION	Notes
1	M363-510-01	1	Tire & Wheel Assembly	
2	M600-163-01	18	7/8-14 X 2 1/2 GR8 HEX HEAD CAP SCREW	Torque 525 ft lbs
	M503-555-01	18	7/8 SAE FLAT WASHERS	
3	M348-204-01	1	WHEEL HUB	
4	M348-204-02	1	CAP, WHEEL HUB	
5	M503-507-01	8	3/8-16 X 1 GR8 SOCKET HEAD CAP SCREWS	
	M150-538-01	8	3/8 HI-COLLAR LOCK WASHERS	
6	M348-512-01	1	O-RING, CAP, WHEEL HUB	
7	M348-513-01	1	GREASE SEAL, WHEEL HUB	
8	M363-502-02	1	SPROCKET, HUB, 34 TOOTH	DRIVE HUBS ONLY
9	M515-500-29	18	7/8-14 X 3 3/4 GR8 HEX HEAD CAP SCREWS	Torque 525 ft lbs
	M503-555-01	18	7/8 SAE FLAT WASHERS	
	M515-560-12	18	7/8 -14 TOP LOCK NUTS	
10	M348-508-01	2	BEARING CUP, WHEEL HUB	
11	M348-509-01	2	BEARING CONE, WHEEL HUB	
12	M348-205-02	1	CAP, SPINDLE	
13	M330-509-08	8	3/4-10 X 2 1/2 GR8 HEX HEAD CAP SCREWS	Torque 300 ft lbs
	M510-536-03	8	3/4 SAE FLAT WASHERS	
14	M348-541-01	2	SHIMS .005	
	M348-542-01	2	SHIMS .010	
	M348-543-01	2	SHIMS .020	
	M348-544-01	4	SHIMS .040	
15	M348-205-01	1	WHEEL SPINDLE	
16	M515-500-30	18	1 1/8 - 12 X 3 1/4 GR8 HEX HEAD CAP SCREWS	Torque 1100 ft lbs
	M515-530-06	18	1 1/8 SAE FLAT WASHERS	

**NOTE: ALL QUANTITIES NOTED ARE FOR ONE SPINDLE & HUB ASSEMBLY ONLY**

**ITEMS 8 & 9 ARE ON DRIVE HUBS ONLY**