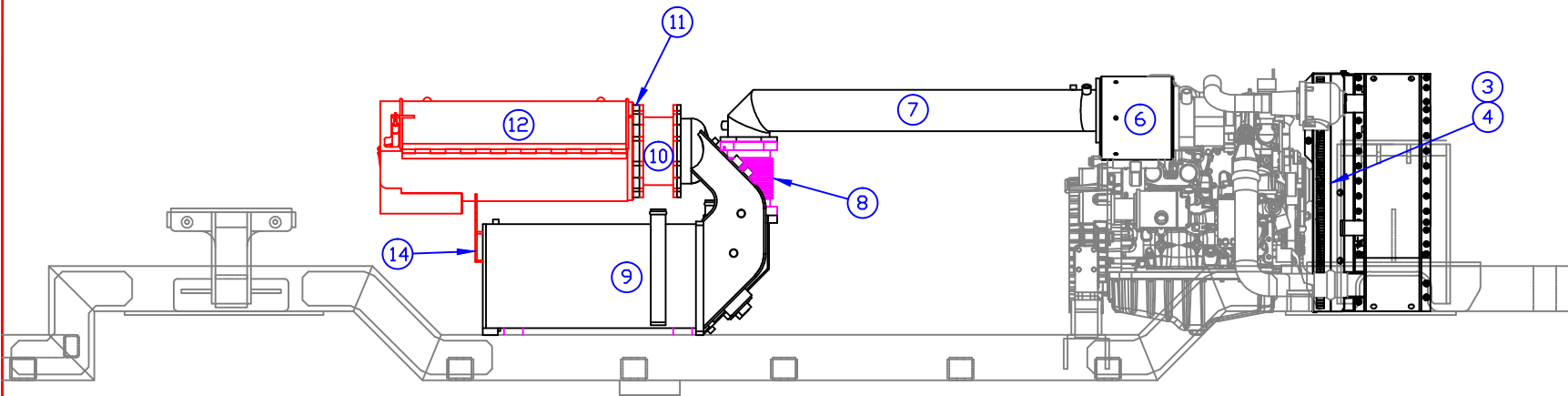
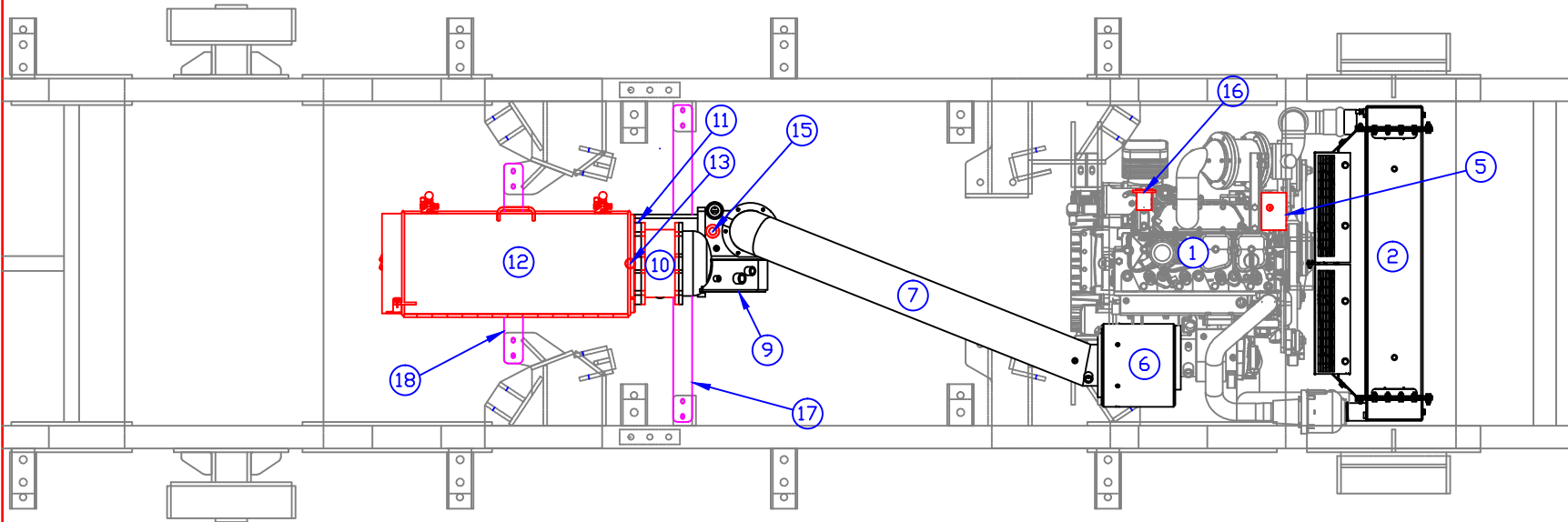


CONFIDENTIAL & PROPRIETARY

All data contained in this document is sole property of **DRY SYSTEMS TECHNOLOGIES** and is considered confidential and proprietary.

This document may not be reproduced, released to third parties, or used for purposes other than for which it was furnished, without express written consent of **DRY SYSTEMS TECHNOLOGIES**.

This document remains property of **DRY SYSTEMS TECHNOLOGIES** and must be returned upon request.



SECTION 2-03

TOLERANCES

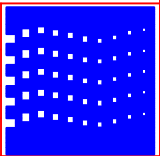
Linear unless noted
 Machined: ± 0.005
 Fabricated: ± 0.02
 Angular: $\pm 1/2^\circ$
 Surface finish 125

REV	DATE	NAME	DESCRIPTION

DRY SYSTEMS TECHNOLOGIES

10420 RISING COURT
 WOODRIDGE, IL 60517
 Phone: 630-427-2051 Fax: 630-427-1036
 E-Mail: eng@drysystemstech.com

DESCRIPTION DST EXHAUST AFTER TREATMENT		NO RECD 1
SCALE Full	DATE April 2 2018	DRAWN BY W Fox
MATERIAL		APPROVED BY
DRAWING NO		EXHAUST AFTER TREATMENT



DST EXHAUST AFTER TREATMENT SYSTEM

ITEM	PART NUMBER	QUAN.	DESCRIPTION	Notes
1	M500-256-11	1	ENGINE ASSEMBLY	
2	M354-705-02C	1	RADIATOR ASSEMBLY	
	M354-705-01	1	RADIATOR	Part of item 2
	M354-706-02	1	SHROUD	Part of item 2
	M354-707-02	1	FAN GUARD	Part of item 2
	M354-745-01	1	CHARGE AIR COOLER	Part of item 2
3	M265-717-02	1	ADAPTER, FAN HUB	Not Shown
4	M375-715-35	1	FAN, 28" PUSHER	Not Shown
5	M354-532-01	1	MOUNT, MSHA ENGINE TAG	
	M600-176-01	1	HHSC, M10X 1.5 X 2.0	
	M601-101-01	1	FHCS, M10 X 1.5 X 2.0	
6	M354-530-01	1	CATALYST ASSEMBLY	
	M600-129-01	6	HHCS, 3/8-16 X 1 GR 8	Catalyst to turbo
	M600-123-01	6	LOCK WASHER, 3/8	
7	M354-274-01	1	ELBOW, CATALYST TO BELLOWS	
	M600-129-01	6	HHCS, 3/8-16 X 1 GR 8	Elbow to catalyst
	M600-123-01	6	LOCK WASHER, 3/8	
	M90-371-13	6	STUDS	Elbow to bellows
	M600-123-01	6	LOCKWASHER, 3/8	
	M600-109-01	6	NUT, 3/8-16	
8	M250-205-01	1	BELLOWS ASSEMBLY	
	M90-371-13	6	STUDS	Bellows to heat exchanger
	M600-123-01	6	LOCKWASHER, 3/8	
	M600-109-01	6	NUT, 3/8-16	
9	M354-301-01	1	HEAT EXCHANGER	
10	M38-542-01	1	FLAME ARRESTOR, 8"	
	M600-152-01	12	HHCS, 7/16-14 X 1.25 GR 8	Flame arrestor to heat exchanger
	M600-139-01	12	LOCK WASHER, 7/16	
11	M354-336-01	1	SPACER, 10" FILTER HOUSING	
	M515-500-49	6	HHCS, 3/8-16 X 2.25 GR 8	Spacer to filter housing
	M600-123-01	6	LOCK WASHER, 3/8	
12	M354-401-02	1	FILTER HOUSING, 10"	
	M40-416-01	1	FILTER, 10" DPM	
13	M250-541-01	1	SPRINKLER HEAD	
14	M354-422-01	1	SUPPORT, FILTER HOUSING, 10"	
	M600-189-01	4	HHCS, 3/8-16 X 0.75 GR 8	
	M600-123-01	4	LOCK WASHER, 3/8	
15	M290-540-01	1	INJECTOR, CONE SPRAY	
16	M502-585-01	1	HOURLY METER, VIBRATORY	
	M502-585-02	1	BRACKET, VIBRATORY HOURLY METER	
17	M375-543-01	1	HEAT EXCHANGER SUPPORT, LONG	
18	M375-543-02	1	HEAT EXCHANGER SUPPORT, SHORT	
	M515-500-64	12	HHCS, 3/8-16 X 1.5 GR8	
	M515-530-01	24	FLAT WASHERS, 3/8	
	M600-123-01	12	LOCK WASHERS, 3/8	
	M600-109-01	12	NUT, 3/8-16	