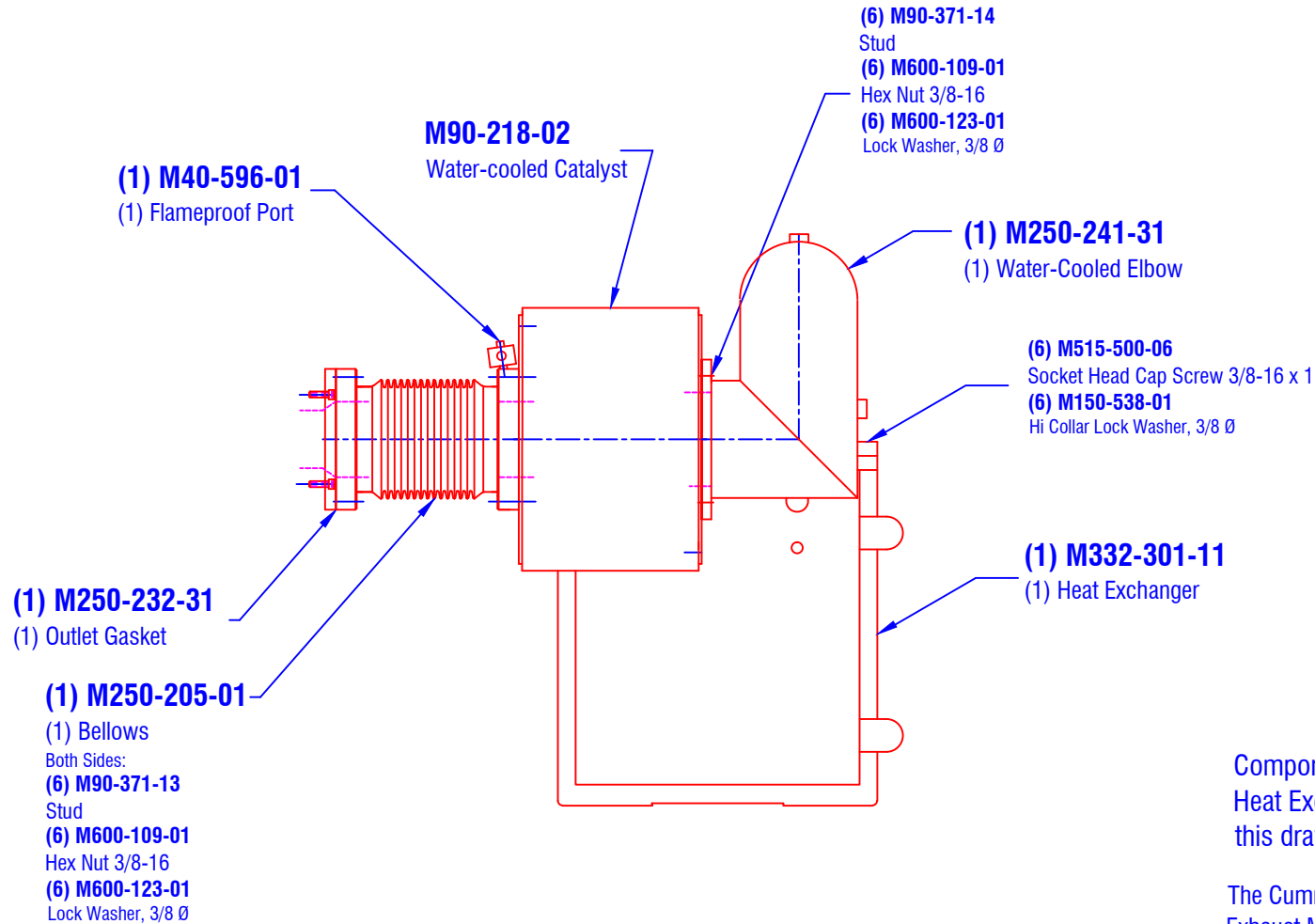


CONFIDENTIAL & PROPRIETARY

All data contained in this document is sole property of **DRY SYSTEMS TECHNOLOGIES** and is considered confidential and proprietary. This document may not be reproduced, released to third parties, or used for purposes other than for which it was furnished, without express written consent of **DRY SYSTEMS TECHNOLOGIES**. This document remains property of **DRY SYSTEMS TECHNOLOGIES** and must be returned upon request.



Components downstream of the Heat Exchanger are not shown in this drawing

The Cummins Diesel Engine, Water-cooled Exhaust Manifold and Water-cooled Turbo-charger are not shown in this view

Cummins 8.3 Turbo

TOLERANCES Linear unless noted Machined: ±0.005 Fabricated: ±0.01 Angular: ±1/2° Surface finish 125				DRY SYSTEMS TECHNOLOGIES 8102 LEMONT ROAD - Suite 700 WOODRIDGE, IL 60517 Phone: 630-427-2051 Fax: 630-427-1036 E-Mail: eng@drysystechnology.com	DESCRIPTION DST EXHAUST ENDVIEW	NO REQS	
	SCALE	DATE	DESIGNED BY				
	FULL	Sept 18 2018	Ward Fox				
	MATERIAL	See Detail Drawings			APPROVED BY		
	DRAWING NO						
				SECTION 2-03			