

All data contained in this document is sole property of **DRY SYSTEMS TECHNOLOGIES** and is considered confidential and proprietary.

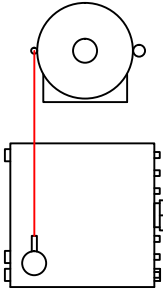
This document may not be reproduced, released to third parties, or used for purposes other than for which it was furnished, without express written consent of **DRY SYSTEMS TECHNOLOGIES**.

This document remains property of **DRY SYSTEMS TECHNOLOGIES** and must be returned upon request.

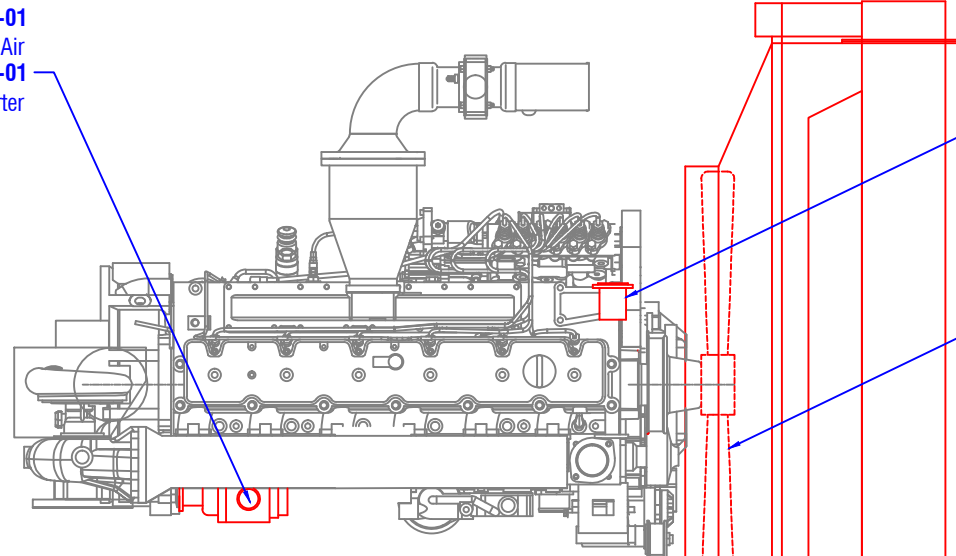
M250-532-01
Kit, Extended Dipstick
(not shown)

M250-510-01
Starter, Air
M507-682-01
Muffler, Air Starter

M250-717-01
Bottle, Coolant Recovery, 3.5 Gal



M38-710-02
Surge Tank Complete
Includes cap & sight glass
M38-710-15
Cap Radiator - 15#
M38-710-16
Sight Glass - 1.5



M513-520-01
Hour Meter, Vibratory
M502-585-03
Bracket, Vibratory Hour Meter

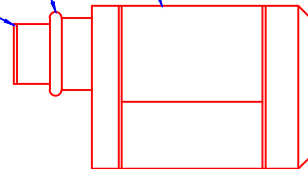
M201-715-30
Fan 32 Pusher

M230-705-01C
Radiator Assembly Complete
Includes:
M294-705-01 Radiator
M230-706-01 Shroud
M230-707-01 Guard
M294-745-01 Charge Air Cooler

(1) **M250-597-01**
Reducer, 6-5 Hump
(1) **M250-539-01**
Hose Clamp - T-Bolt, 6"

M250-592-01
Air Cleaner, Horizontal Mount
(1) **M250-592-02**
Filter, Primary
(1) **M250-592-03**
Filter, Safety

(1) **M250-593-01**
Hose Intake, 5-4 Insert
(1) **M250-538-01**
Hose Clamp - T-Bolt, 5"



TOLERANCES
Linear unless noted
Machined: ±0.005
Fabricated: ±0.01
Angular: ±1/2°
Surface finish 125

REV	DATE	DESCRIPTION

DRY SYSTEMS TECHNOLOGIES
10420 RISING COURT
WOODRIDGE, IL 60517
Phone: 630-427-2051 Fax: 630-427-1038
E-Mail: eng@drysystemstech.com

DESCRIPTION		NO. RECD	
DST TOPVIEW - 35S			
SCALE	DATE	DESIGNED BY	APPROVED BY
FULL	Feb 24 2015	Ward Fox	
DRAWING NO			
SECTION 2-03			

