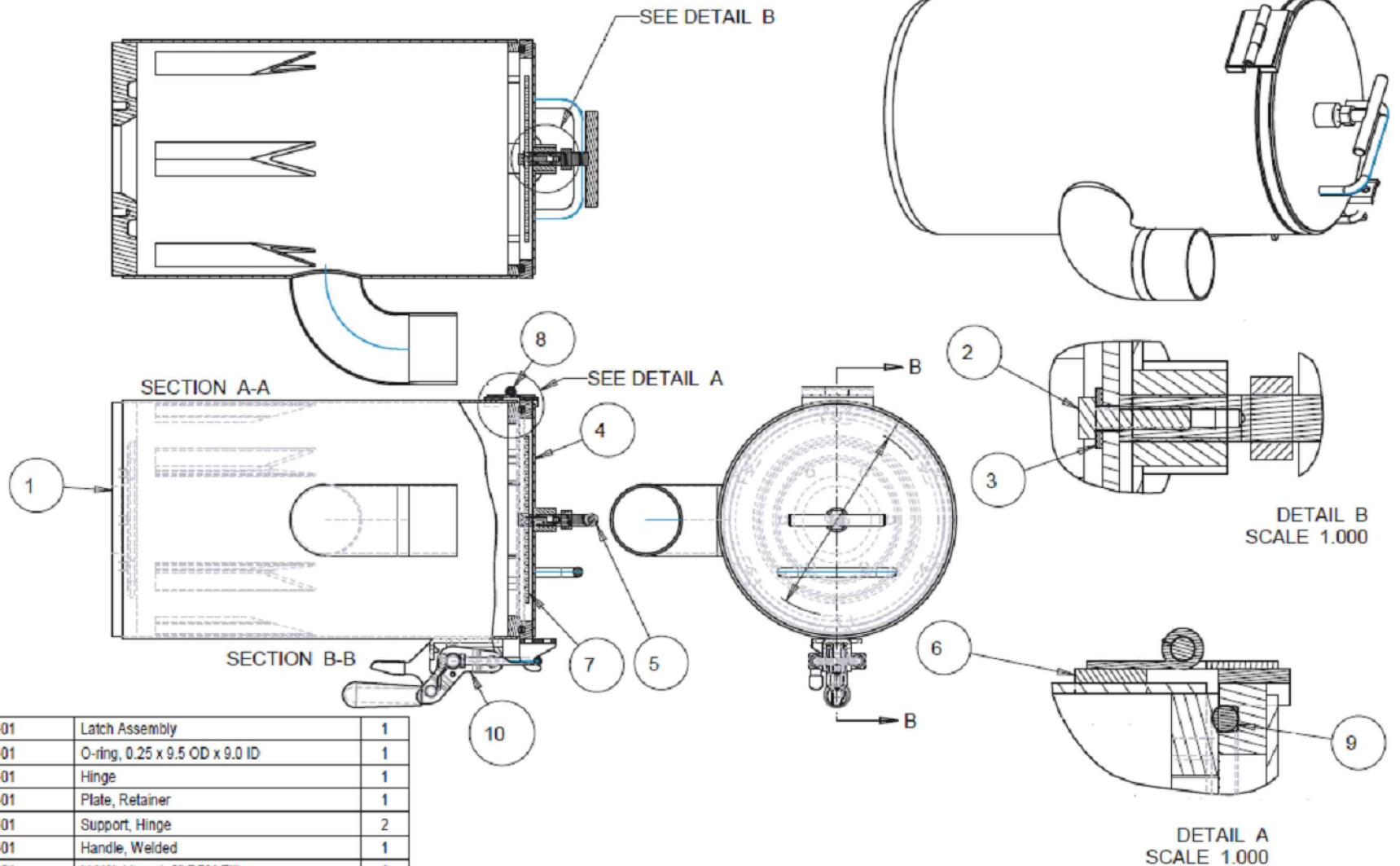


CONFIDENTIAL & PROPRIETARY  
 All data contained in this document is the property  
 of DRY SYSTEMS TECHNOLOGIES and is intended  
 confidential and proprietary.  
 This document may not be reproduced, modified,  
 copied, or used for purposes other than those  
 specifically authorized without express written consent of  
 DRY SYSTEMS TECHNOLOGIES.  
 This document remains property of DRY SYSTEMS  
 TECHNOLOGIES and may be returned upon request.



10	M90-431-01	Latch Assembly	1
9	M70-494-01	O-ring, 0.25 x 9.5 OD x 9.0 ID	1
8	M70-493-01	Hinge	1
7	M70-492-01	Plate, Retainer	1
6	M70-491-01	Support, Hinge	2
5	M70-490-01	Handle, Welded	1
4	M70-481-01	Lid Weldment, 8" DPM Filter	1
3	M601-102-01	Washer, 1/4	1
2	M600-199-01	Bolt, 1/4-20x1.0 HHCS	1
1	M270-436-01	Housing Weldment, 8" Filter	1
ITEM	PART NUMBER	DESCRIPTION	QTY

**SECTION 2-03**

TOLERANCES		DRY SYSTEMS TECHNOLOGIES		Housing Assembly, 8" Filter	
Linear unless noted				0.250 3/29/2007 Nasir Imtiaz	
Machined: ±0.005				See BOM Roger Gibbs	
Fabricated: ±0.01				M270-435-01	
Angular: ±1/2°				1/1	
Surface finish 125					
Third angle projection					
REV	DATE	NAME	DESCRIPTION		
03	3/27/07	BNV	Updated enrichment and class		
02	3/27/07	NI	Redesign: Retainer		
01	3/27/07	NI	New part added		