

CONFIDENTIAL & PROPRIETARY

All data contained in this document is sole property of DRY SYSTEMS TECHNOLOGIES and is considered confidential and proprietary.

This document may not be reproduced, released to third parties, or used for purposes other than for which it was furnished, without express written consent of DRY SYSTEMS TECHNOLOGIES.

This document remains property of DRY SYSTEMS TECHNOLOGIES and must be returned upon request.

- (1) M250-613-01
Hose Intake, 4-3 Insert
- (1) M201-290-07
Hose Clamp, T-Bolt 4"
- (1) M250-612-01
Reducer, 5-4 Hump
- (1) M250-538-01
Hose Clamp, T-Bolt, 5"

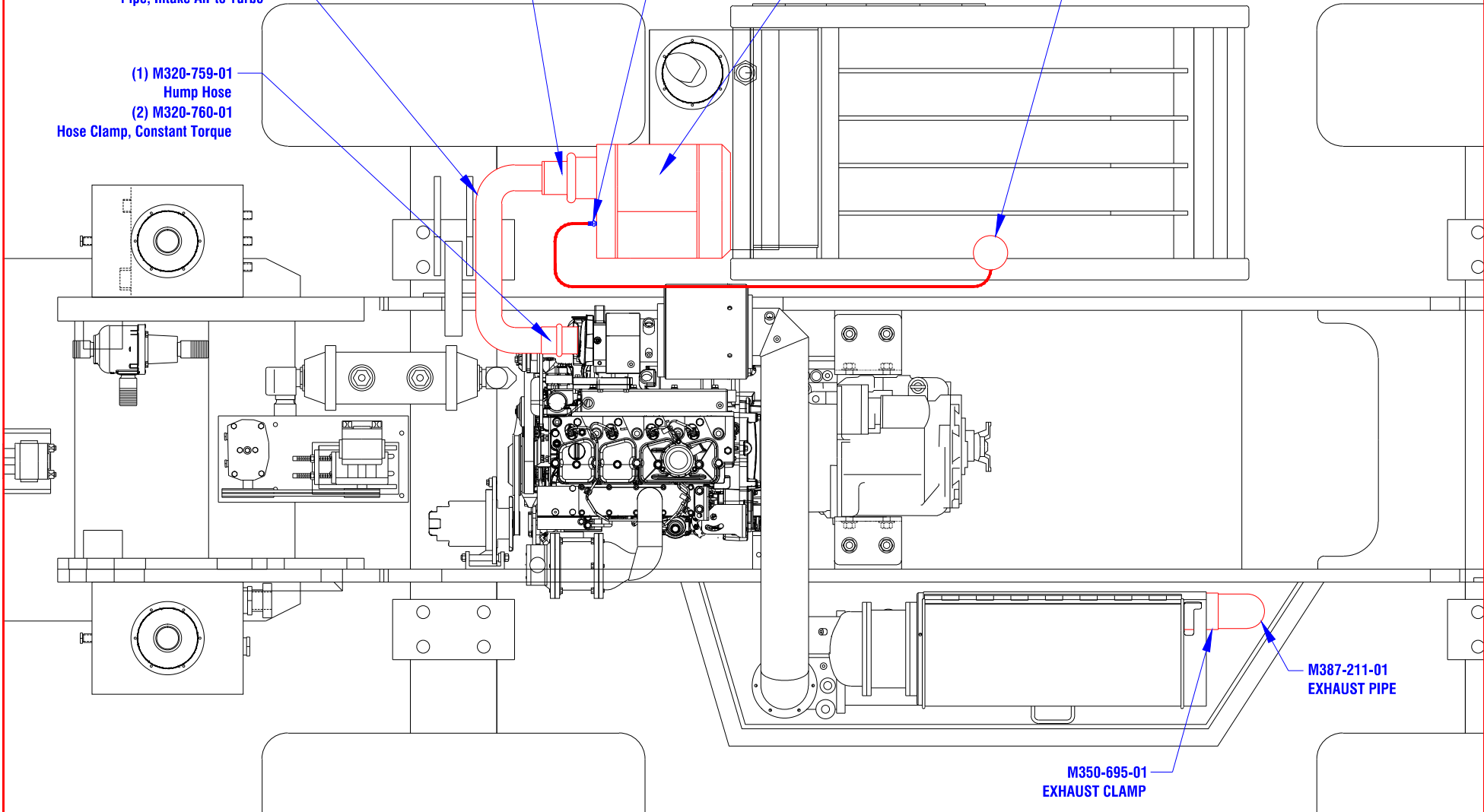
- M250-607-01
Air Cleaner, Horizontal Mount
- (1) M250-607-02
Filter, Primary
- (1) M250-607-03
Filter, Safety

M250-582-01
Gauge, Intake Vacuum
(in operators cab)

M387-210-01
Pipe, Intake Air to Turbo

(1) M320-759-01
Hump Hose
(2) M320-760-01
Hose Clamp, Constant Torque

M511-500-02
Adapter, MJ-MP Strt



M387-211-01
EXHAUST PIPE

M350-695-01
EXHAUST CLAMP

TOLERANCES

Linear unless noted
Machined: ±0.005
Fabricated: ±0.02
Angular: ±1/2°
Surface finish 125

REV	DATE	NAME	DESCRIPTION

DRY SYSTEMS TECHNOLOGIES
10420 RISING COURT
WOODRIDGE, IL 60517
Phone: 630-427-2051 Fax: 630-427-1036
E-Mail: eng@drysystemstech.com

DESCRIPTION INTAKE AIR SYSTEM		NO RECD 1
SCALE Full	DATE FEB 20 2019	DRAWN BY W Fox
MATERIAL		APPROVED BY
DRAWING NO SECTION 2-04		

