

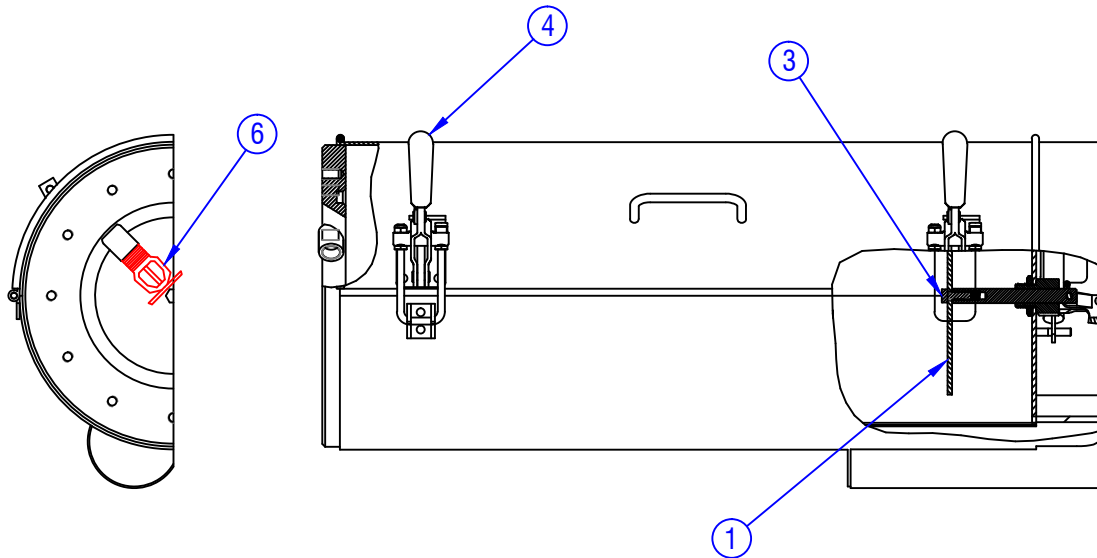
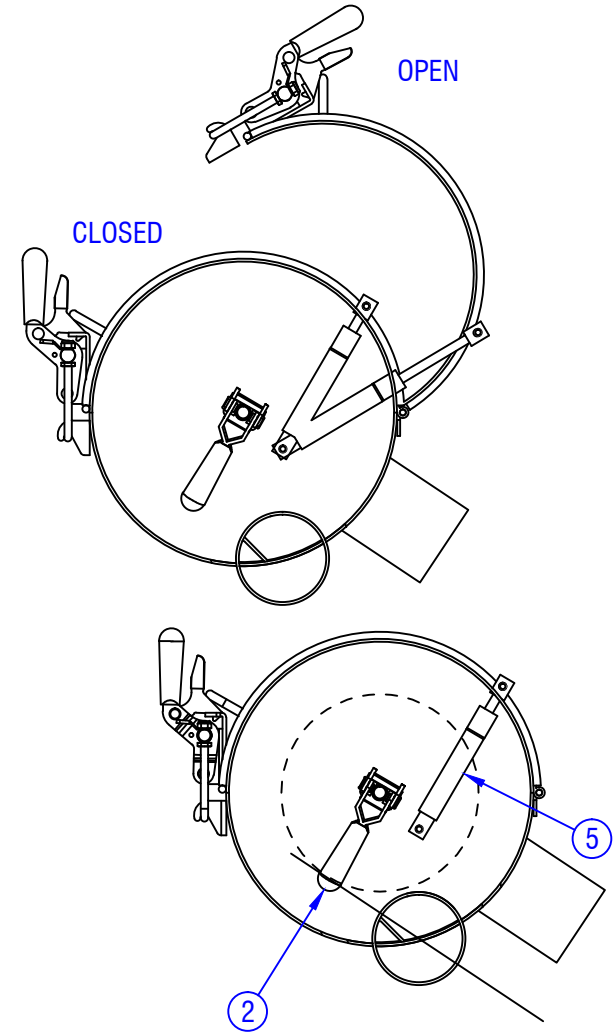
CONFIDENTIAL & PROPRIETARY

All data contained in this document is sole property of **DRY SYSTEMS TECHNOLOGIES** and is considered confidential and proprietary.

This document may not be reproduced, released to third parties, or used for purposes other than for which it was furnished, without express written consent of **DRY SYSTEMS TECHNOLOGIES**.

This document remains property of **DRY SYSTEMS TECHNOLOGIES** and must be returned upon request.

Item No	Q'ty.	PART NUMBER	DESCRIPTION
	1	M354-401-02	10" Filter Housing - Includes 1 - 5
1	1	M293-416-01	Plate, Filter Retainer
2	1	M500-421-01	Clamp
3	1	M600-129-01	HHCS, 3/8-16 x 1.0 GR8
4	2	M90-431-01	Latch Assembly
5	1	M90-432-01_712	Cylinder, Lid Lift
6	1	M250-541-01	Sprinkler Head - Sold Separately



SECTION 2-04

TOLERANCES	
Linear unless noted	
Machined: ±0.005	
Fabricated: ±0.02	
Angular: ±1/2°	
Surface finish 125	

DRY SYSTEMS TECHNOLOGIES
 10420 RISING COURT
 WOODRIDGE, IL 60517
 Phone: 630-427-2051 Fax: 630-427-1036
 E-Mail: eng@dryssystemstech.com

DESCRIPTION		NO RECD
HOUSING, 10" FILTER		1
SCALE	DATE	DRAWN BY
Full	April 03 2018	W Fox
MATERIAL	APPROVED BY	
DRAWING NO	M354-401-02	

