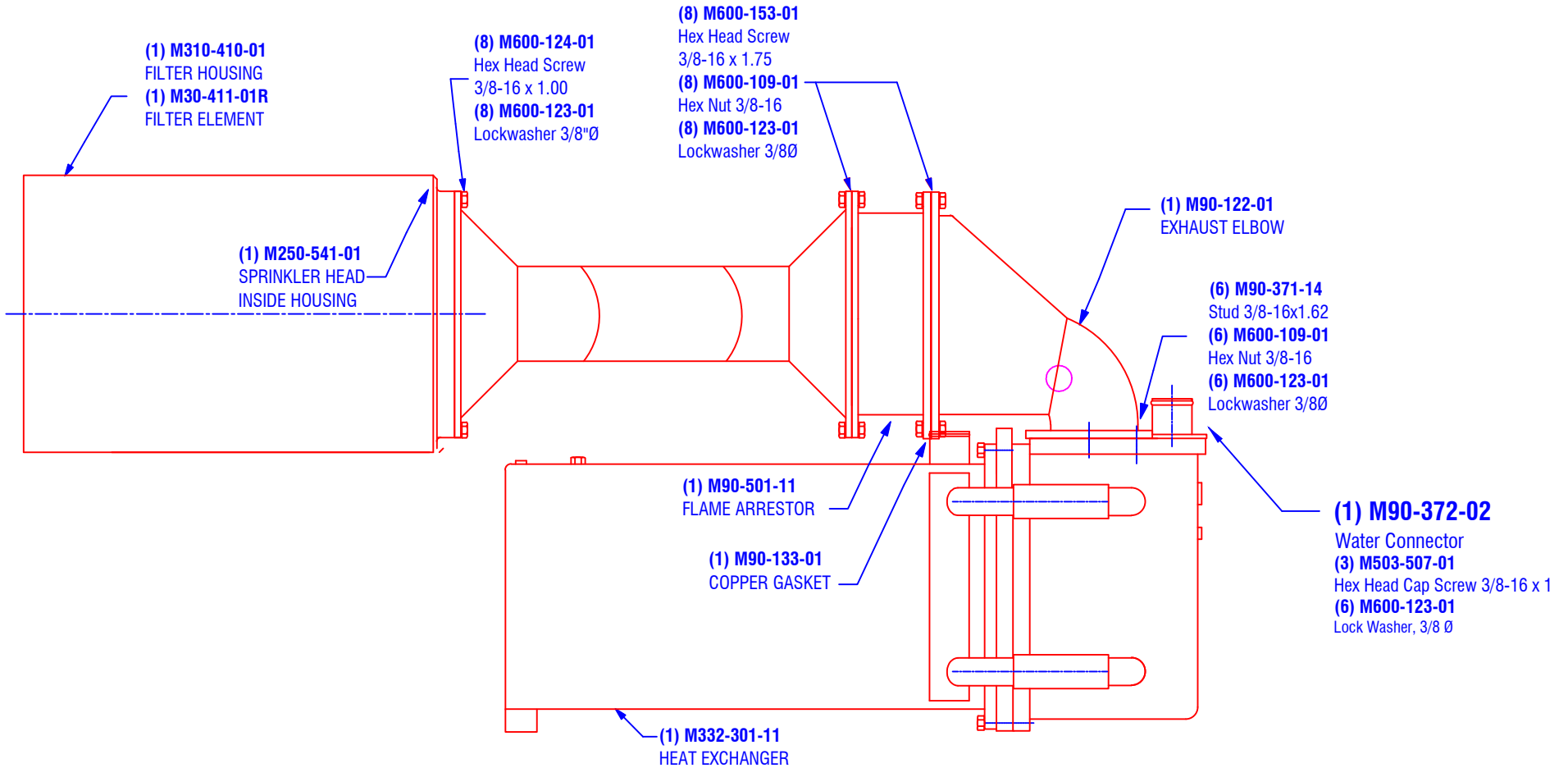


CONFIDENTIAL & PROPRIETARY

All data contained in this document is sole property of **DRY SYSTEMS TECHNOLOGIES** and is considered confidential and proprietary. This document may not be reproduced, released to third parties, or used for purposes other than for which it was furnished, without express written consent of **DRY SYSTEMS TECHNOLOGIES**. This document remains property of **DRY SYSTEMS TECHNOLOGIES** and must be returned upon request.

The Cummins Diesel Engine, Water-cooled Exhaust Manifold and Water-cooled Turbo-charger are not shown in this view



Components upstream of the Heat Exchanger are not shown in this drawing

Cummins 8.3 Reverse Turbo

TOLERANCES Linear unless noted Machined: ±0.005 Fabricated: ±0.01 Angular: ±1/2° Surface finish 125	REV	DATE	ISSUE	DESCRIPTION	DRY SYSTEMS TECHNOLOGIES 8102 LEMONT ROAD, SUITE 700 WOODRIDGE, IL 60517 Phone: 630-427-2051 Fax: 630-427-1036 E-Mail: eng@drysystemstech.com	DESCRIPTION EXHAUST SIDEVIEW	NO. REVD 1
	SCALE	DATE	DRAWN BY	APPROVED BY		FULL Oct 01 2019 J/LW	MATERIAL SECTION 2-05