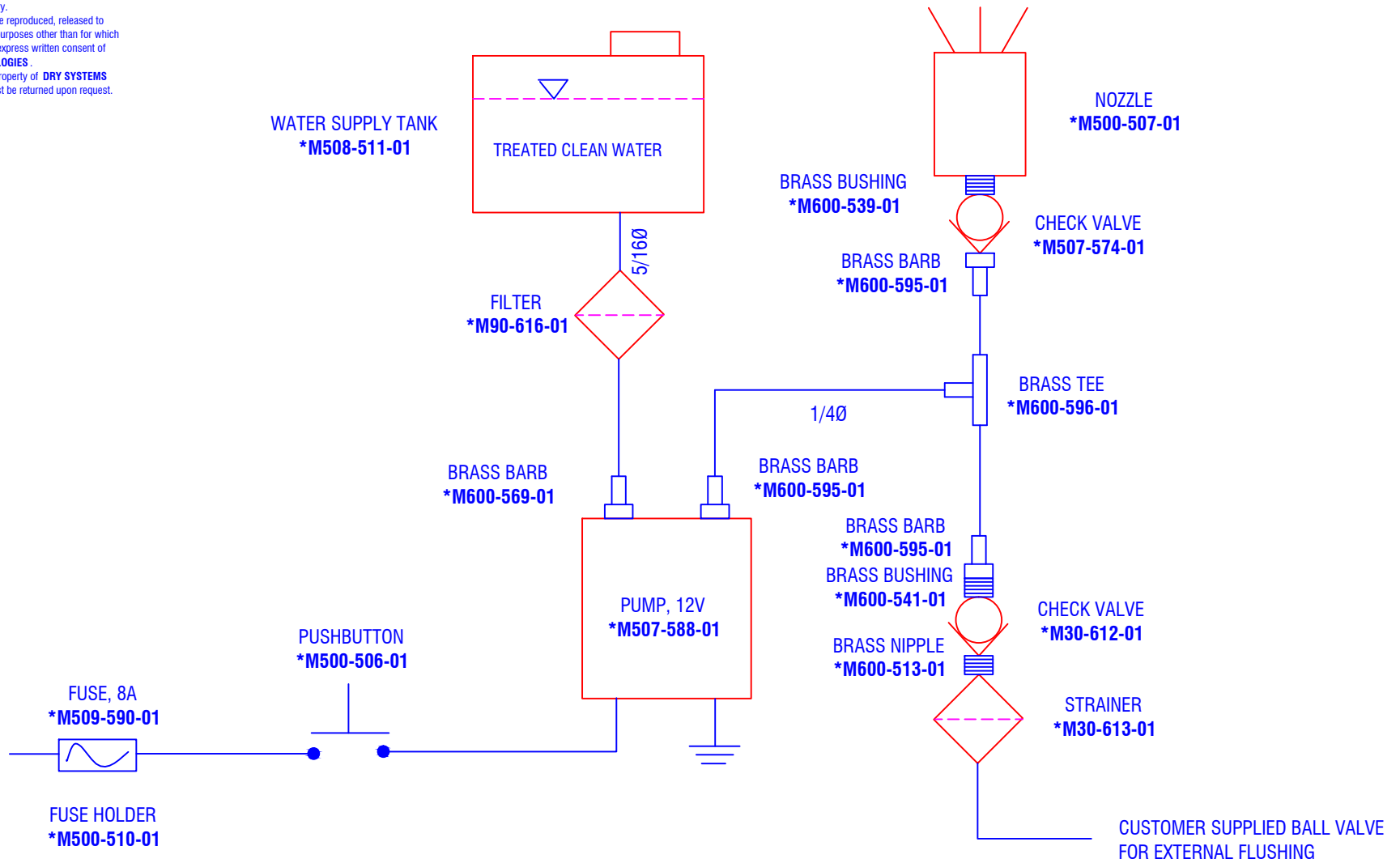


CONFIDENTIAL & PROPRIETARY

All data contained in this document is sole property of **DRY SYSTEMS TECHNOLOGIES** and is considered confidential and proprietary.

This document may not be reproduced, released to third parties, or used for purposes other than for which it was furnished, without express written consent of **DRY SYSTEMS TECHNOLOGIES**.

This document remains property of **DRY SYSTEMS TECHNOLOGIES** and must be returned upon request.



WATER INJECTION SYSTEM (12V)

KIT NO. M507-573-01

*** - INCLUDED IN KIT**

TOLERANCES

Linear unless noted
 Machined: ±0.005
 Fabricated: ±0.01
 Angular: ±1/2°
 Surface finish 125

REV	DATE	NAME	DESCRIPTION
01	0514	RG	8A Fuse was 5A

DRY SYSTEMS TECHNOLOGIES

10420 RISING COURT
 WOODRIDGE, IL 60517
 Phone: 630-427-2051 Fax: 630-427-1036
 E-Mail: eng@drysystemstech.com

DESCRIPTION: WATER INJECTION SYSTEM, 12V NO RECD

SCALE	DATE	DRAWN BY
FULL	Sept 6, 2011	R Gibbs
MATERIAL	APPROVED BY	
See Detail Drawings		
DRAWING NO	M277-006-03	

