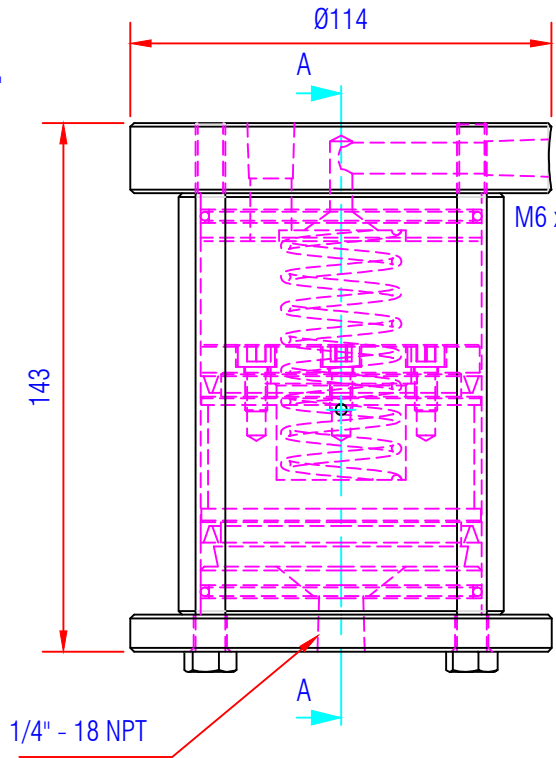


CONFIDENTIAL & PROPRIETARY

All data contained in this document is sole property of **DRY SYSTEMS TECHNOLOGIES** and is considered confidential and proprietary. This document may not be reproduced, released to third parties, or used for purposes other than for which it was furnished, without express written consent of **DRY SYSTEMS TECHNOLOGIES**. This document remains property of **DRY SYSTEMS TECHNOLOGIES** and must be returned upon request.



(3) M64-610-12
M6 x 12LG SOC HD CAP SCREW

M64-610-02

M64-610-07

*(2) M64-610-06

*(2) M64-610-08

(4) M64-610-05

M64-610-03

M64-610-10

M64-610-09

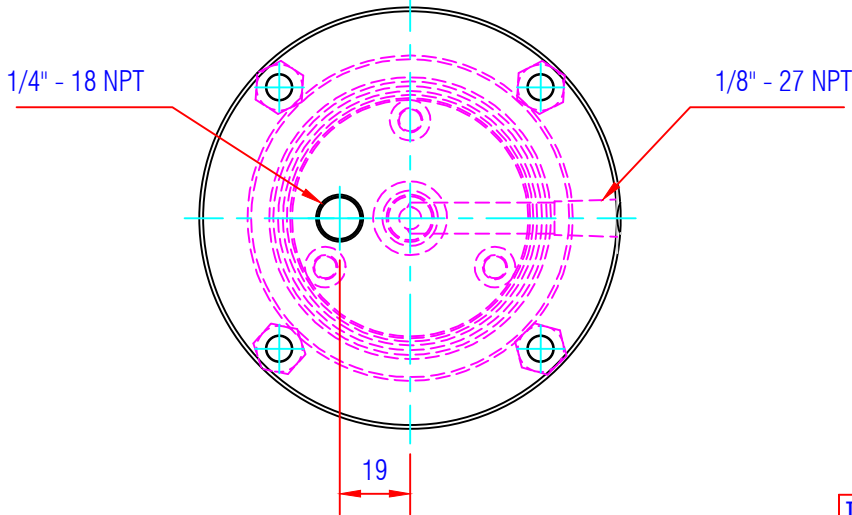
19

59

55

10

M64-610-04



*2 of each are included in Kit M64-610-11

SECTION 2-06

TOLERANCES

Linear unless noted
Machined: ±0.005
Fabricated: ±0.01
Angular: ±1/2°
Surface finish 125

REV	DATE	NAME	DESCRIPTION

Dry Systems Technologies

8102 LEMONT ROAD WOODRIDGE, IL 60517
Phone: 630-427-2051 Fax: 630-427-1036
E-Mail: eng@drysystemstech.com

DESCRIPTION WATER INJECTOR PUMP			NO RECD 1
SCALE 1:2	DATE 03/07/00	DRAWN BY SJW	
MATERIAL See Detail Drawings		APPROVED BY Norbert Paas	
DRAWING NO. M64-610-01			