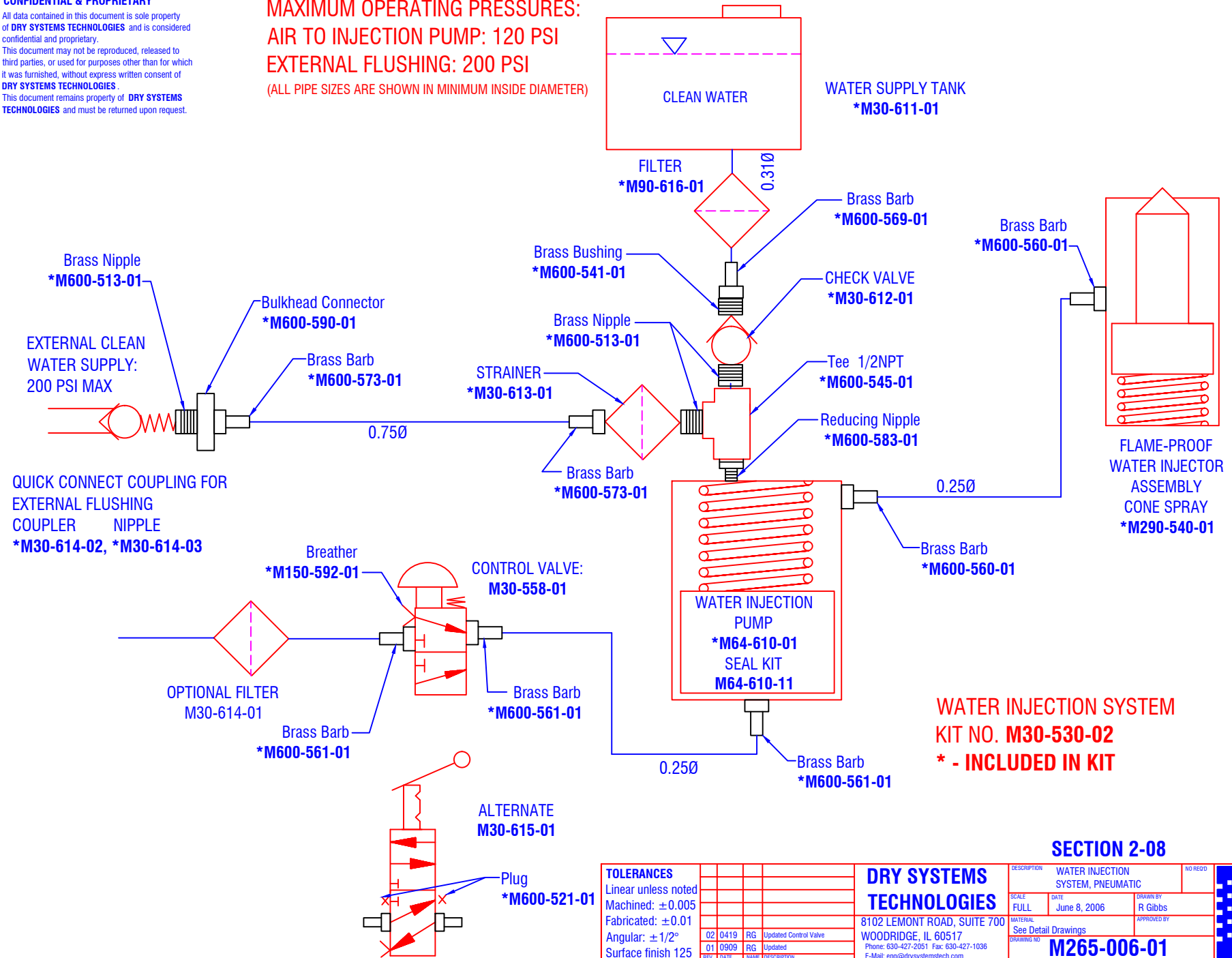


CONFIDENTIAL & PROPRIETARY

All data contained in this document is sole property of **DRY SYSTEMS TECHNOLOGIES** and is considered confidential and proprietary. This document may not be reproduced, released to third parties, or used for purposes other than for which it was furnished, without express written consent of **DRY SYSTEMS TECHNOLOGIES**. This document remains property of **DRY SYSTEMS TECHNOLOGIES** and must be returned upon request.

MAXIMUM OPERATING PRESSURES:
AIR TO INJECTION PUMP: 120 PSI
EXTERNAL FLUSHING: 200 PSI
 (ALL PIPE SIZES ARE SHOWN IN MINIMUM INSIDE DIAMETER)



WATER INJECTION SYSTEM
KIT NO. M30-530-02
*** - INCLUDED IN KIT**

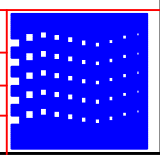
SECTION 2-08

TOLERANCES
 Linear unless noted
 Machined: ±0.005
 Fabricated: ±0.01
 Angular: ± 1/2°
 Surface finish 125

REV	DATE	NAME	DESCRIPTION
02	0419	RG	Updated Control Valve
01	0909	RG	Updated

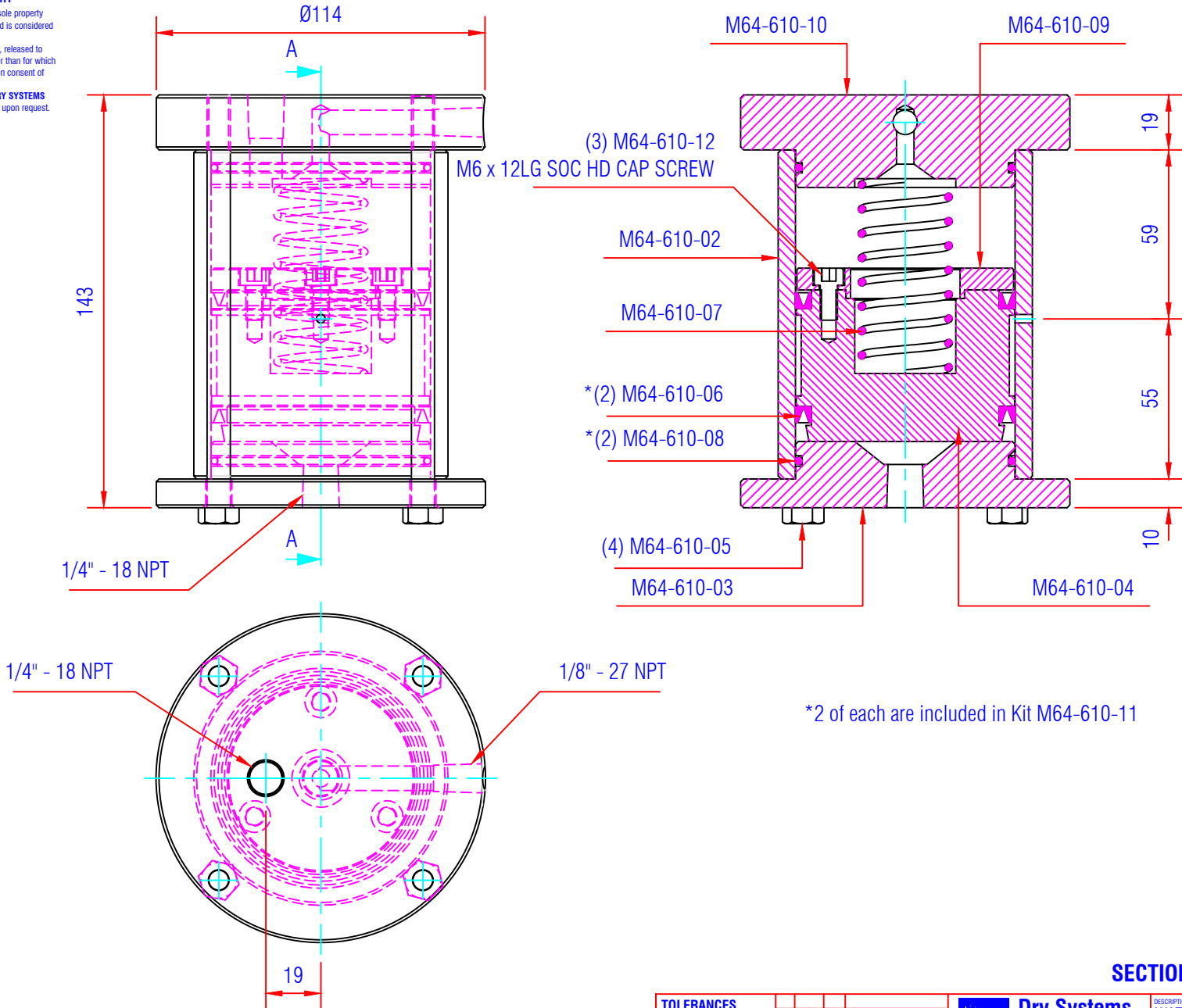
DRY SYSTEMS TECHNOLOGIES
 8102 LEMONT ROAD, SUITE 700
 WOODRIDGE, IL 60517
 Phone: 630-427-2051 Fax: 630-427-1036
 E-Mail: eng@drysystemstech.com

DESCRIPTION	WATER INJECTION SYSTEM, PNEUMATIC		NO RECD
SCALE	DATE	DRAWN BY	
FULL	June 8, 2006	R Gibbs	
MATERIAL	APPROVED BY		
See Detail Drawings			
DRAWING NO	M265-006-01		



CONFIDENTIAL & PROPRIETARY

All data contained in this document is sole property of **DRY SYSTEMS TECHNOLOGIES** and is considered confidential and proprietary. This document may not be reproduced, released to third parties, or used for purposes other than for which it was furnished, without express written consent of **DRY SYSTEMS TECHNOLOGIES**. This document remains property of **DRY SYSTEMS TECHNOLOGIES** and must be returned upon request.



(3) M64-610-12
M6 x 12LG SOC HD CAP SCREW

* (2) M64-610-06
* (2) M64-610-08

(4) M64-610-05
M64-610-03

* 2 of each are included in Kit M64-610-11

SECTION 2-08

TOLERANCES Linear unless noted Machined: ±0.005 Fabricated: ±0.01 Angular: ±1/2° Surface finish 125				 8102 LEMONT ROAD WOODRIDGE, IL 60517 Phone: 630-427-2051 Fax: 630-427-1036 E-Mail: eng@drysystemstech.com	DESCRIPTION WATER INJECTOR PUMP	NO REVD 1
	SCALE 1:2	DATE 03/07/00	DRAWN BY S.J.W.		MATERIAL See Detail Drawings	APPROVED BY Norbert Paas
	DRAWING NO M64-610-01					
	REV	DATE	NAME		DESCRIPTION	