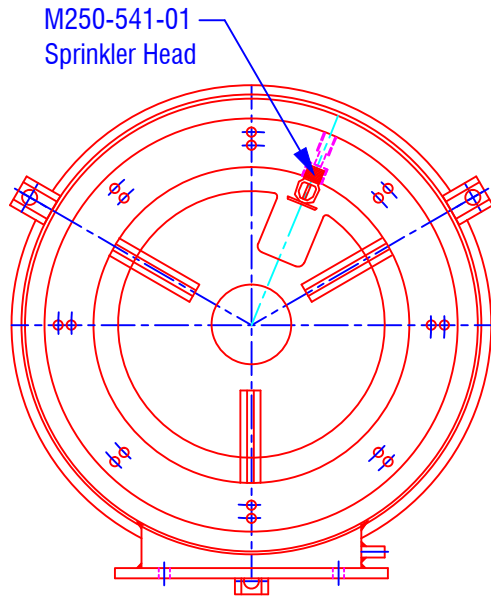


**CONFIDENTIAL & PROPRIETARY**

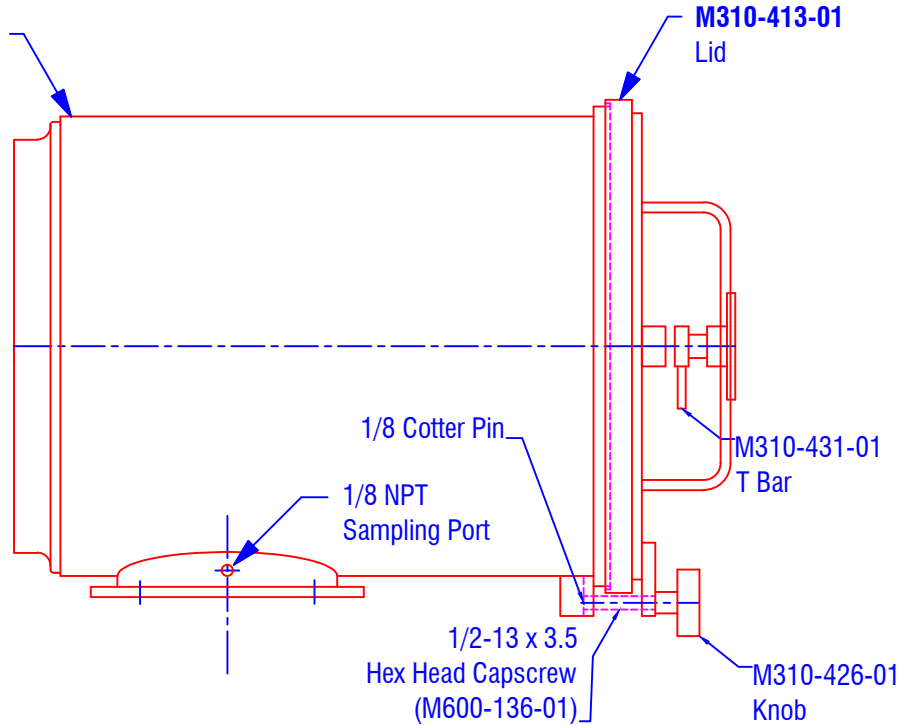
All data contained in this document is sole property of **DRY SYSTEMS TECHNOLOGIES** and is considered confidential and proprietary.

This document may not be reproduced, released to third parties, or used for purposes other than for which it was furnished, without express written consent of **DRY SYSTEMS TECHNOLOGIES**.

This document remains property of **DRY SYSTEMS TECHNOLOGIES** and must be returned upon request.



M310-412-01 Filter Housing



M30-411-01R Filter element

<b>TOLERANCES</b> Linear unless noted Machined: ±0.005 Fabricated: ±0.01 Angular: ±1/2° Surface finish 125									
<b>DRY SYSTEMS TECHNOLOGIES</b> 8102 LEMONT ROAD, SUITE 700 WOODRIDGE, IL 60517 Phone: 630-427-2051 Fax: 630-427-1036 E-Mail: dsd@dryssystemstech.com	DESCRIPTION <b>FILTER HOUSING</b>	NO. FIGS. 1	SCALE FULL	DATE 18 Oct 04	DRAWN BY R Gibbs	MATERIAL See Detail Drawings (or A36 HRS)	APPROVED BY [Signature]	PART NO. <b>M310-410-01</b>	