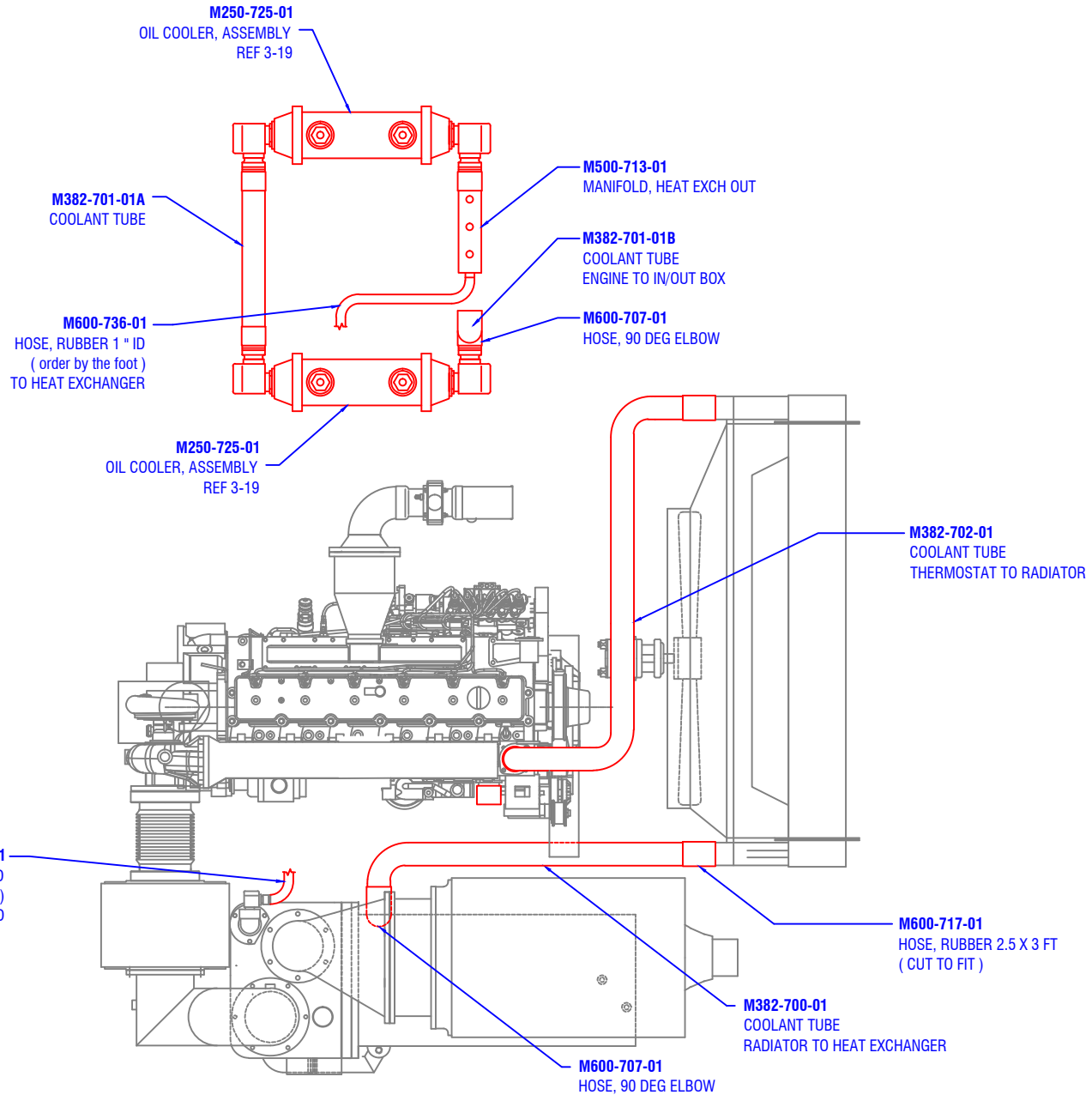


All data contained in this document is sole property of **DRY SYSTEMS TECHNOLOGIES** and is considered confidential and proprietary. This document may not be reproduced, released to third parties, or used for purposes other than for which it was furnished, without express written consent of **DRY SYSTEMS TECHNOLOGIES**. This document remains property of **DRY SYSTEMS TECHNOLOGIES** and must be returned upon request.



NOTE: MACHINE SERIAL NO. M400508

TOLERANCES Linear unless noted Machined: ± 0.005 Fabricated: ± 0.01 Angular: $\pm 1/2^\circ$ Surface finish 125								
DRY SYSTEMS TECHNOLOGIES 10420 RISING COURT WOODRIDGE, IL 60517 Phone: 630-427-2051 Fax: 630-427-1036 E-Mail: eng@drysystemstech.com						DESCRIPTION COOLANT PIPING		NO. RECD.
						SCALE	DATE	DRAWN BY
						FULL	Oct 02 2018	Ward Fox
						MATERIAL:	APPROVED BY	
						DRAWING TO		
						SECTION 2-13		