

**Dry Systems<sup>®</sup>**  
**Technologies**

Technology for a cleaner environment  
10420 Rising Court Woodridge, IL 60517

**Customized Parts Catalog for Engine Model**

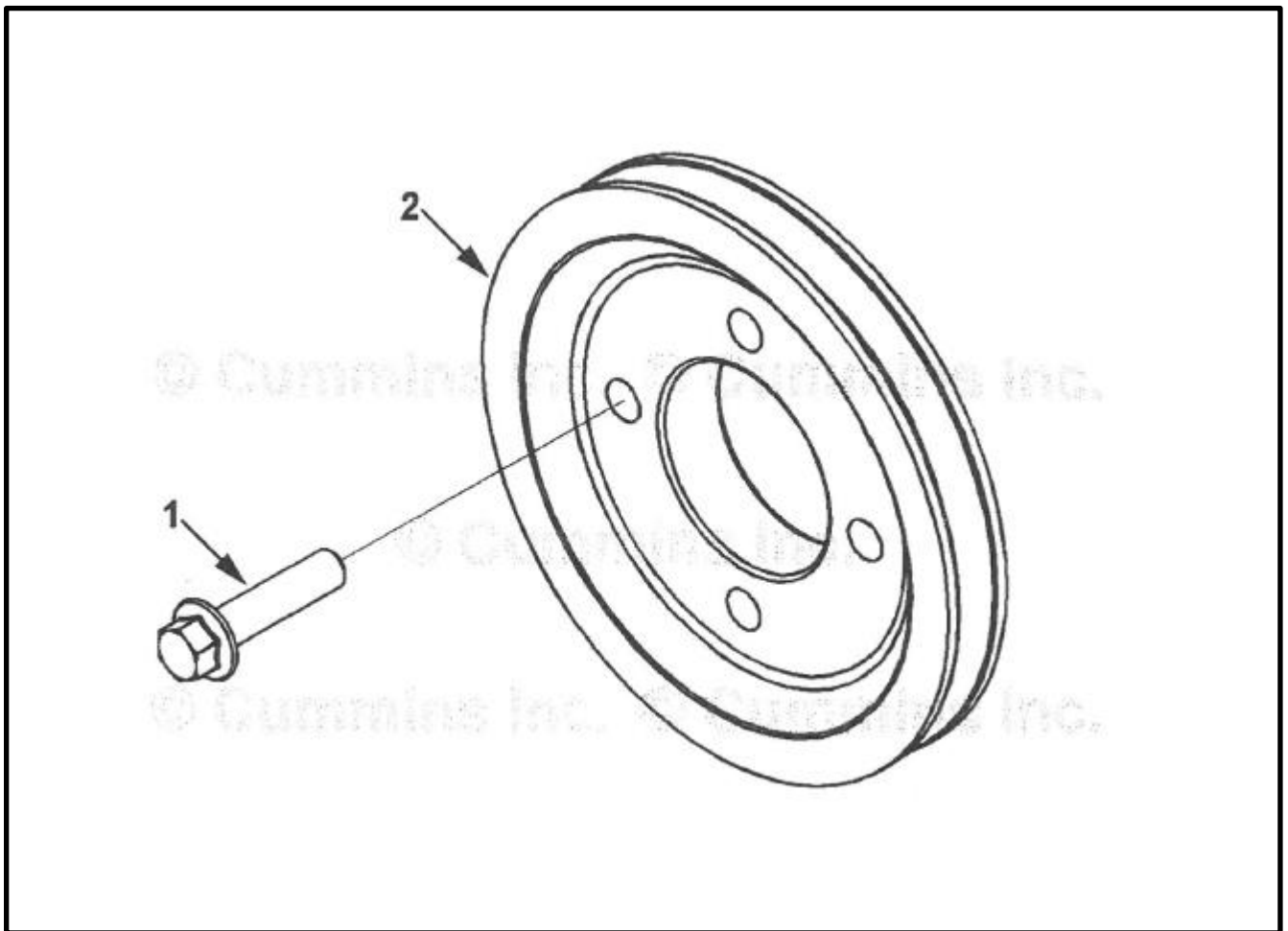
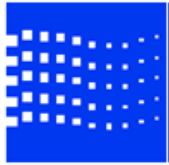
**6CTAA 8.3 230 HP**

**M500-261-11**

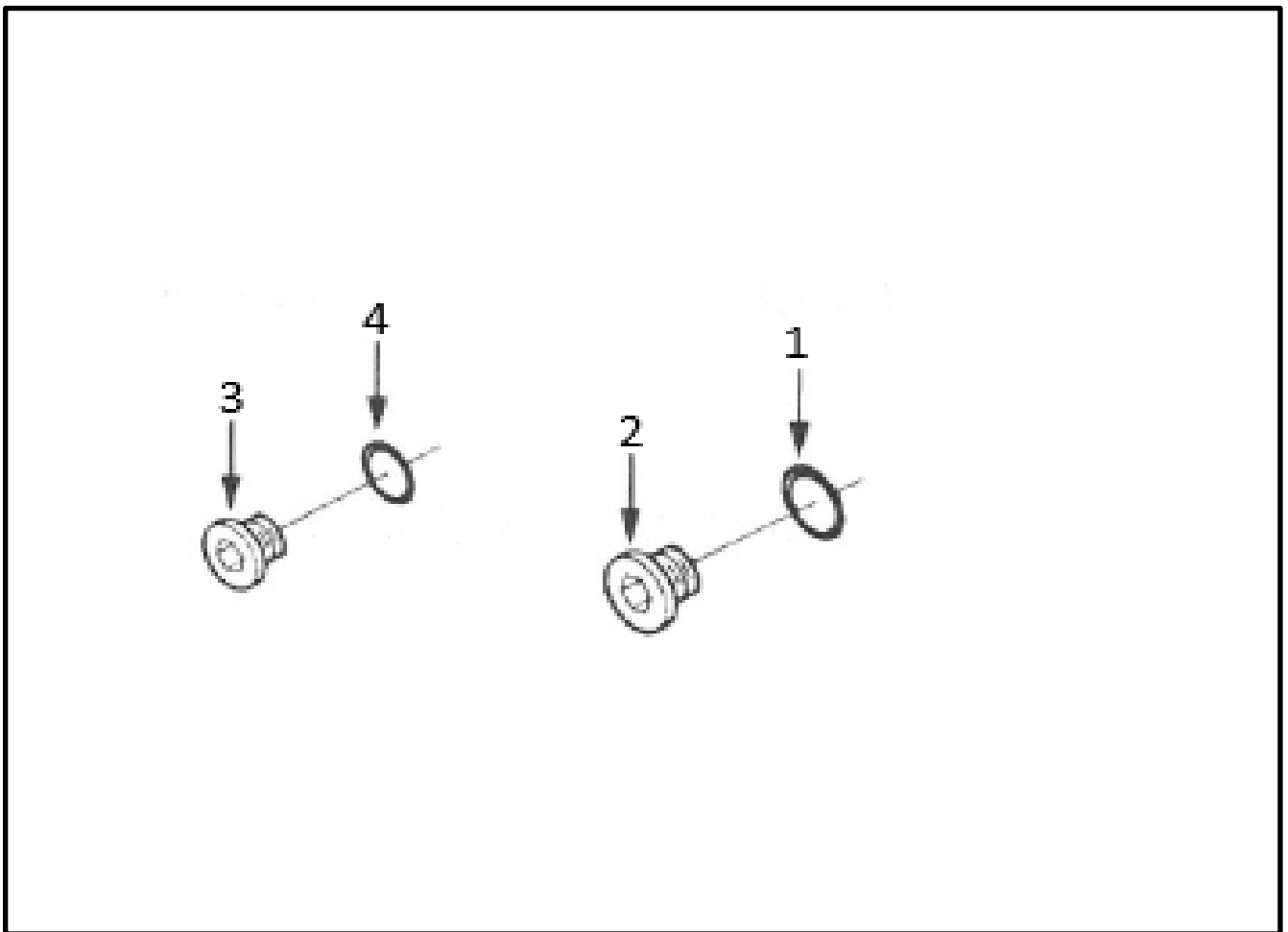
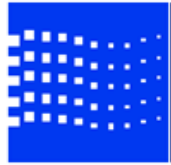
## Table of Contents

|                                    | Page No. |   | Page No. |
|------------------------------------|----------|---|----------|
| Accessory Drive Pulley.....        | 54       | Fuel Plumbing.....                            | 36       |
| Air Compressor.....                | 19       | Fuel Pump Lbc Plumbing.....                   | 32       |
| Air Compressor Inlet Plumbing..... | 18       | Fuel Pump Lube Plumbing.....                  | 31       |
| Air Fuel Control Plumbing.....     | 25       | Fuel Pump Mounting.....                       | 33       |
| Air Intake Manifold.....           | 43       | Fuel Shutoff Valve.....                       | 37       |
| Belt Tensioner.....                | 76       | Fuel Transfer Pump.....                       | 35       |
| Cabin Heater Plumbing.....         | 42       | Full Flow Oil Filter.....                     | 47       |
| Camshaft.....                      | 57       | Gear Cover Mounting.....                      | 40       |
| Compressor Coolant Plumbing.....   | 14       | Injector.....                                 | 58       |
| Coolant Heater Starting Aid.....   | 17       | Injector Plumbing.....                        | 63       |
| Corrosion Resistor.....            | 72       | Lifting Arrangement.....                      | 44       |
| CPR Air Discharge Plumbing.....    | 16       | Lube Oil Pump.....                            | 50       |
| Crankcase Breather.....            | 12       | Oil Filler Arrangement.....                   | 51       |
| Crankshaft Assembly.....           | 9        | Oil Level Gauge.....                          | 49       |
| Cylinder Block.....                | 5        | Oil Pan.....                                  | 52       |
| Cylinder Block LBC Plumbing.....   | 3        | Performance Parts.....                        | 55       |
| Cylinder Head.....                 | 59       | Piston Cooling Nozzle.....                    | 8        |
| Cylinder Head Plumbing.....        | 61       | Plumbing, Cylinder Block Coolant.....         | 4        |
| Cylinder Liner.....                | 7        | Plumbing, Turbocharger.....                   | 70       |
| Drive Fan.....                     | 24       | Rocker Lever.....                             | 64       |
| Engine Coolant Vent.....           | 66       | Service Repair Kit, Lower Engine Gaskets..... | 79       |
| Engine Oil Cooler.....             | 45       | Service Repair Kit, Bearings & Pistons.....   | 80       |
| Exhaust Manifold.....              | 68       | Service Repair Kit, Upper Engine Gaskets..... | 81       |
| Exhaust Manifold Mounting.....     | 68       | Tachometer Drive.....                         | 67       |
| Flywheel.....                      | 38       | Thermostat.....                               | 22       |
| Flywheel Housing.....              | 28       | Torque Convertor Oil Cooler.....              | 69       |
| Flywheel Mounting.....             | 39       | Turbocharger.....                             | 62       |
| Front Drive Adapter.....           | 2        | Valve Cover.....                              | 71       |
| Front Engine Support.....          | 23       | Valve Tappet.....                             | 10       |
| Front Gear Cover.....              | 41       | Vibration Damper.....                         | 21       |
| Front Gear Housing.....            | 11       | Water Inlet Connection.....                   | 74       |
| Fuel Filter Location.....          | 26       | Water Outlet Connection.....                  | 75       |
| Fuel Filter Plumbing.....          | 27       | Water Pump.....                               | 77       |
| Fuel Inlet Fitting.....            | 30       | Water Pump Drive Belt.....                    | 78       |
|                                    |          | Part Number Index.....                        | A-1      |

NOTE: Part numbers appearing in ( ) are for identification purposes only and should not be used when ordering service replacement parts.

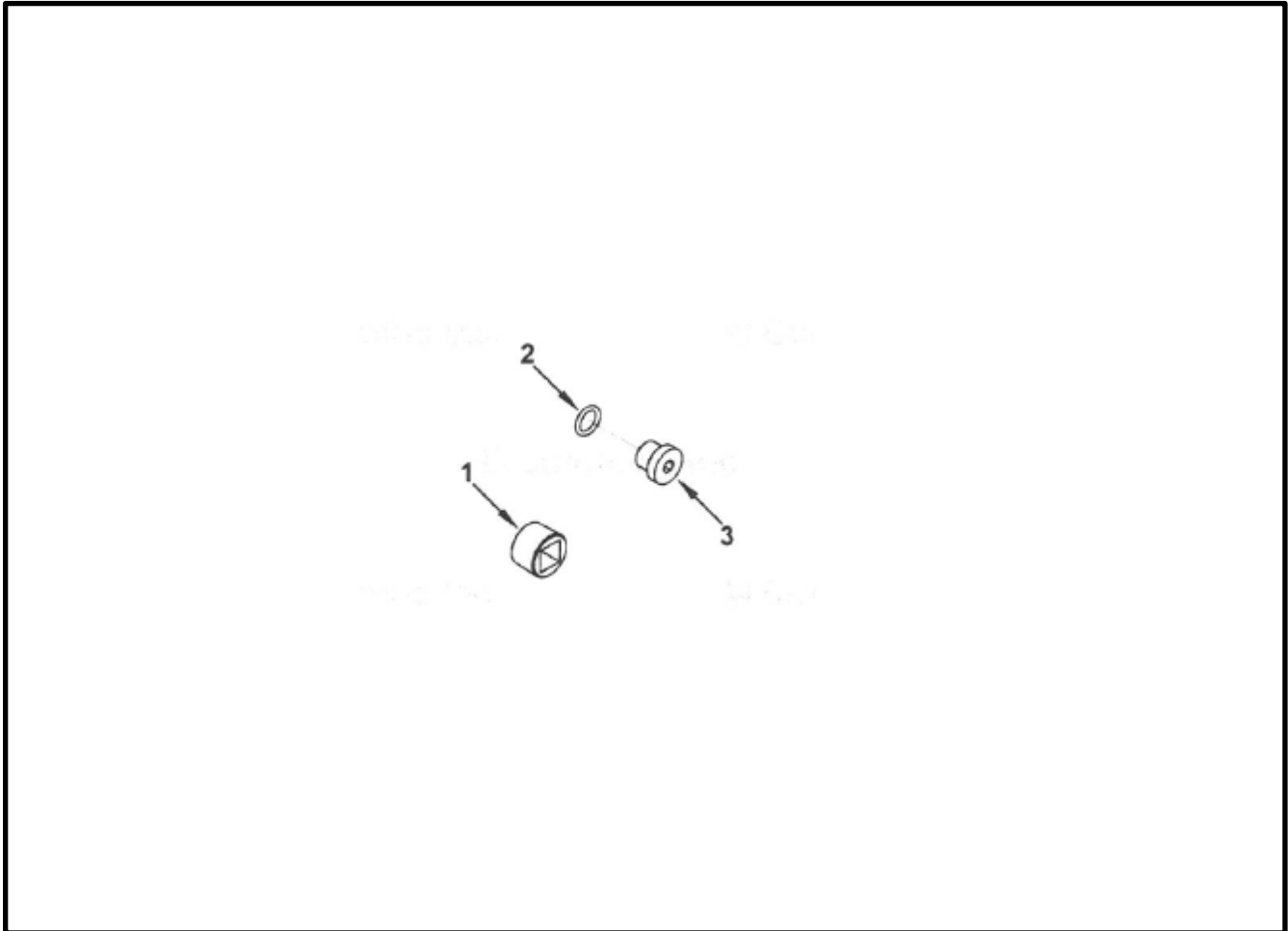
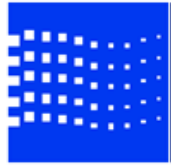


| <u>Item</u> | <u>Qty</u> | <u>Part Number</u> | <u>Description</u>         |
|-------------|------------|--------------------|----------------------------|
| 1           | 4          | M321-501-01        | Screw, Hex Flange Head Cap |
| 2           | 1          | M321-501-02        | Pully, Crankshaft          |



| <u>Item</u> | <u>Qty</u> | <u>Part Number</u> | <u>Description</u> |
|-------------|------------|--------------------|--------------------|
|             | 1          | M321-501-03        | Plug, Threaded M14 |
| 1           | 1          | M321-501-04        | Seal, O-Ring M14   |
| 2           | 1          | (M321-501-05)      | Plug, Threaded M14 |
|             | 5          | M321-501-06        | Plug, Threaded M10 |
| 3           | 1          | (M321-501-07)      | Plug, Threaded M10 |
| 4           | 1          | M321-501-08        | Seal, O-Ring M10   |

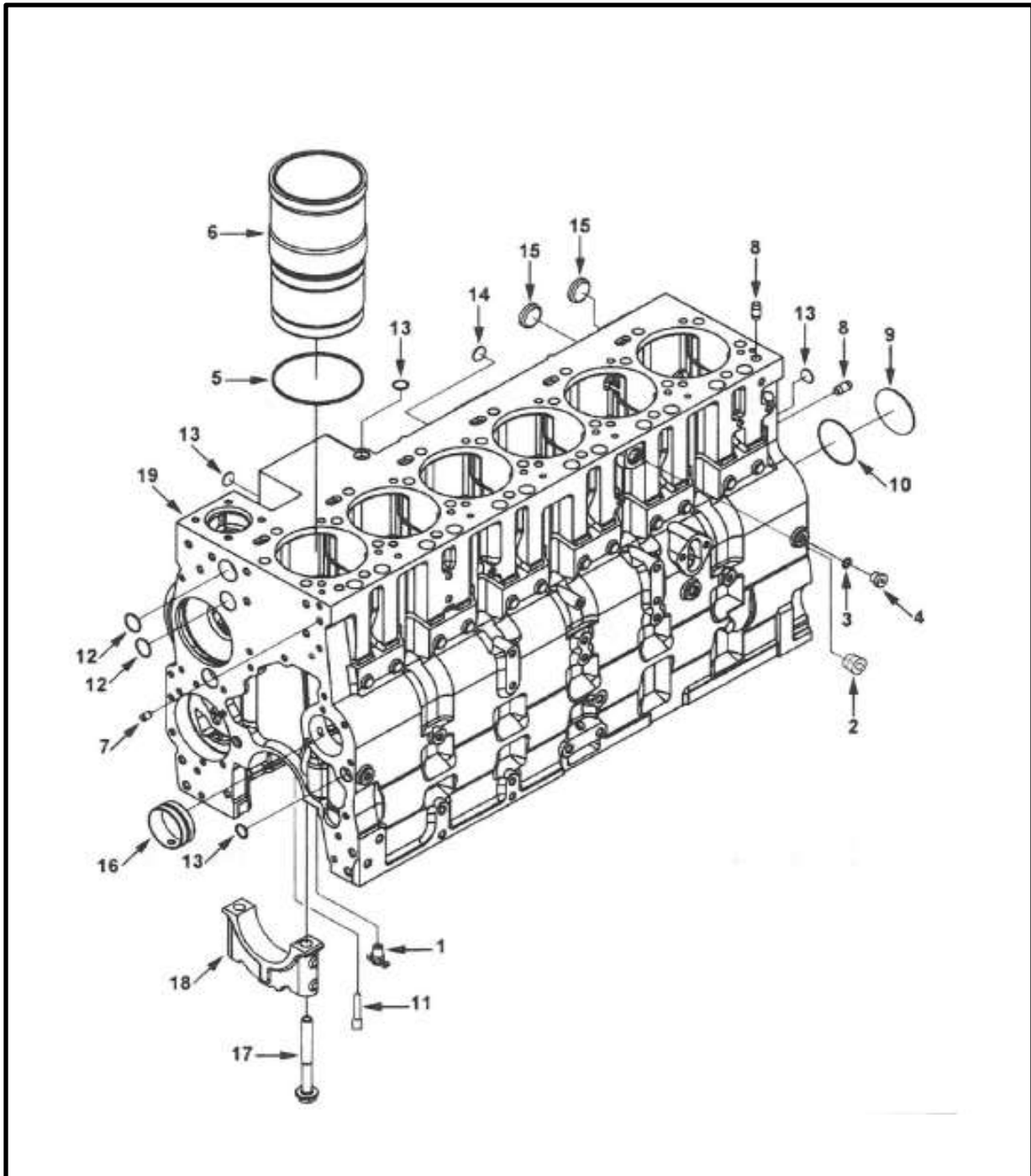


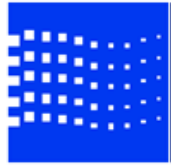


| <u>Item</u> | <u>Qty</u> | <u>Part Number</u> | <u>Description</u> |
|-------------|------------|--------------------|--------------------|
| 1           | 2          | M321-501-09        | Plug, Pipe 3/4 NPT |
|             | 1          | M321-501-03        | Plug, Threaded M14 |
| 2           | 1          | M321-501-04        | Seal, O-Ring M14   |
| 3           | 1          | (M321-501-05)      | Plug, Threaded M14 |

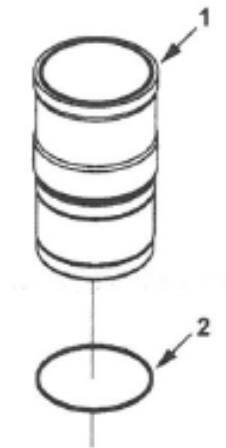


**CYLINDER BLOCK**

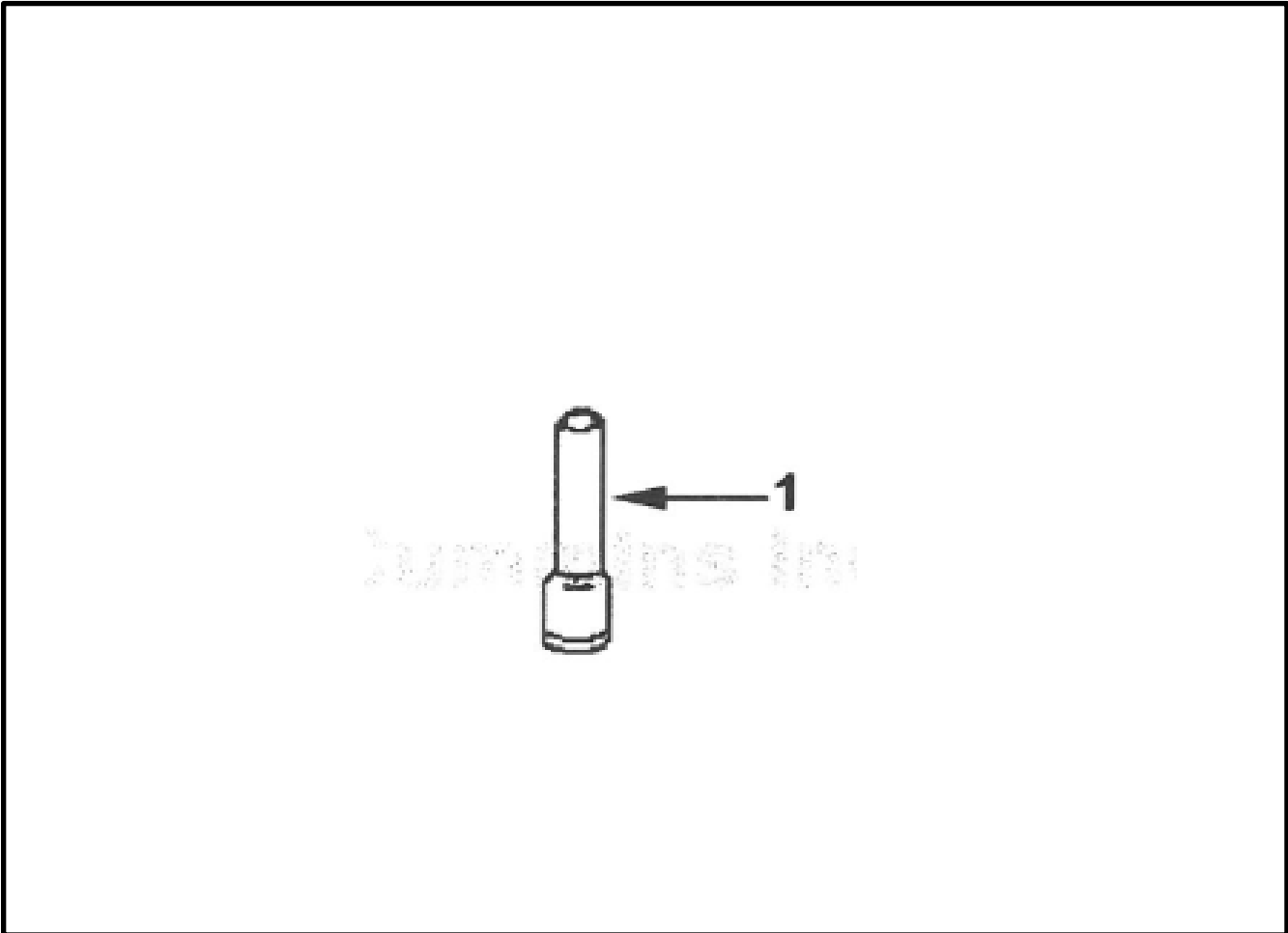




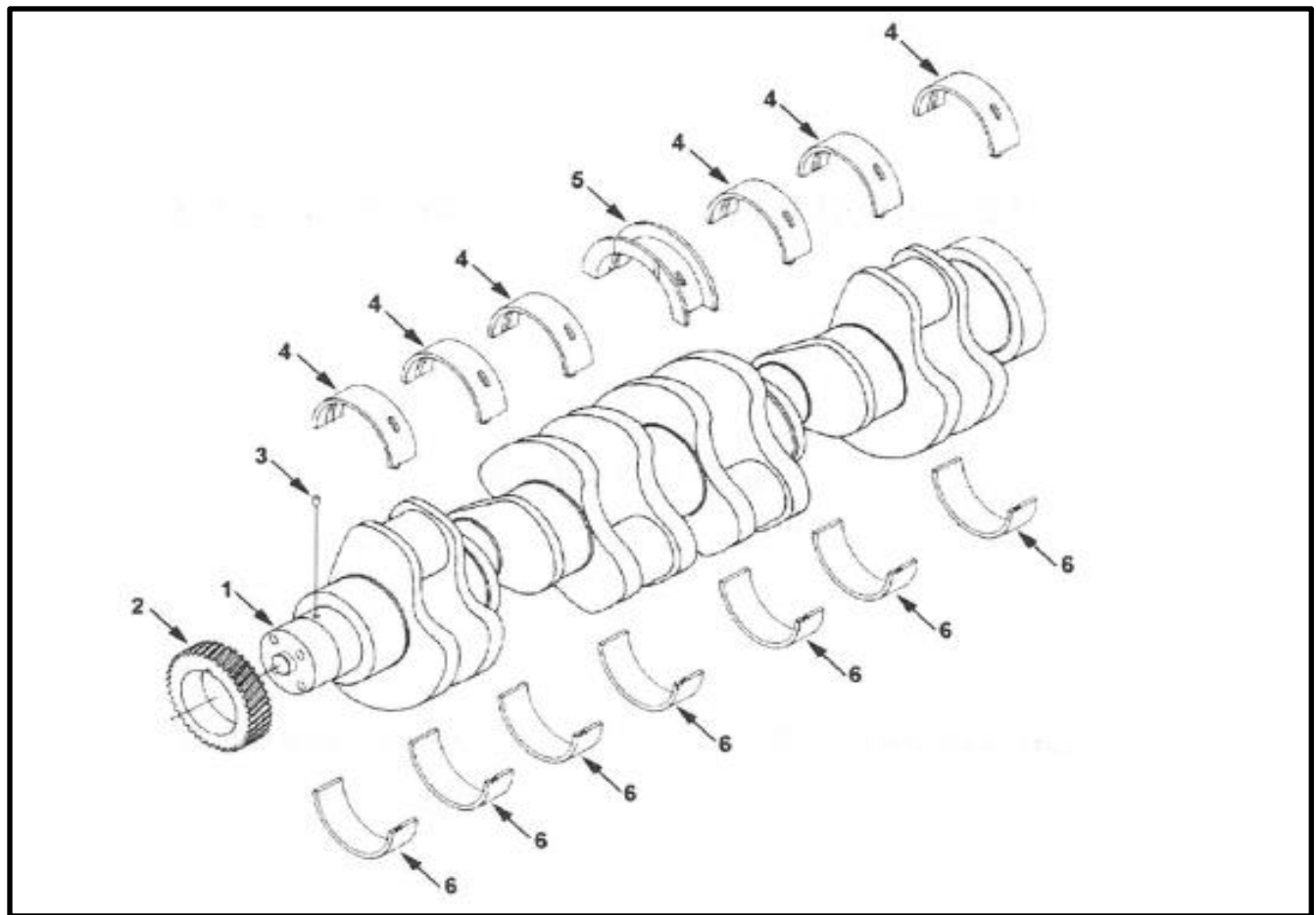
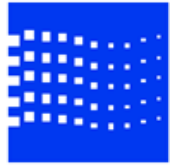
| <u>Item</u> | <u>Qty</u> | <u>Part Number</u> | <u>Description</u>                                   |
|-------------|------------|--------------------|--|
| 1           | 1          | M321-501-10        | Draincock  |
| 2           | 1          | M321-501-227       | Plug, Pipe 1/2 NPT                                   |
|             | 1          | M321-501-03        | Plug, Threaded M14                                   |
| 3           | 1          | M321-501-04        | Seal, O-Ring M14                                     |
| 4           | 1          | (M321-501-05)      | Plug, Threaded M14                                   |
|             | 6          | M321-501-11        | Kit, Cylinder Liner                                  |
| 5           | 1          | M321-501-12        | Seal, Rectangular Ring                               |
| 6           | 1          | (M321-501-13)      | Liner, Cylinder ( Sold in higher level assy / kits ) |
| 7           | 2          | M321-501-14        | Pin, Dowel   |
| 8           | 2          | M321-501-15        | Pin, Dowel   |
| 9           | 1          | M321-501-16        | Plug, Expansion                                      |
| 10          | 1          | M321-501-17        | Seal, O-Ring   |
| 11          | 12         | M321-501-18        | Nozzle, Piston Cooling                               |
|             | 1          | M321-501-19        | Block, Cylinder                                      |
| 12          | 3          | M321-501-20        | Plug, Expansion                                      |
| 13          | 4          | M321-501-21        | Plug, Expansion                                      |
| 14          | 3          | M321-501-22        | Plug, Expansion                                      |
| 15          | 4          | M321-501-23        | Plug, Expansion                                      |
| 16          | 7          | M321-501-24        | Bushing  |
| 17          | 14         | M321-501-25        | Screw, Hex Head Flange Head Cap                      |
| 18          | 7          | M321-501-26        | Cap, Main Bearing                                    |
| 19          | 1          | (M321-501-27)      | Block, Cylinder                                      |
|             |            |                    | <b>Counterbore Service Shims</b>                     |
|             | A/R        | M321-501-28        | Shim 0.25mm Oversize (0.010 in)                      |
|             | A/R        | M321-501-29        | Shim 0.38mm Oversize (0.015 in)                      |
|             | A/R        | M321-501-30        | Shim 0.51mm Oversize (0.020 in)                      |
|             | A/R        | M321-501-31        | Shim 0.75mm Oversize (0.030 in)                      |
|             | A/R        | M321-501-32        | Shim 1.00mm Oversize (0.040 in)                      |



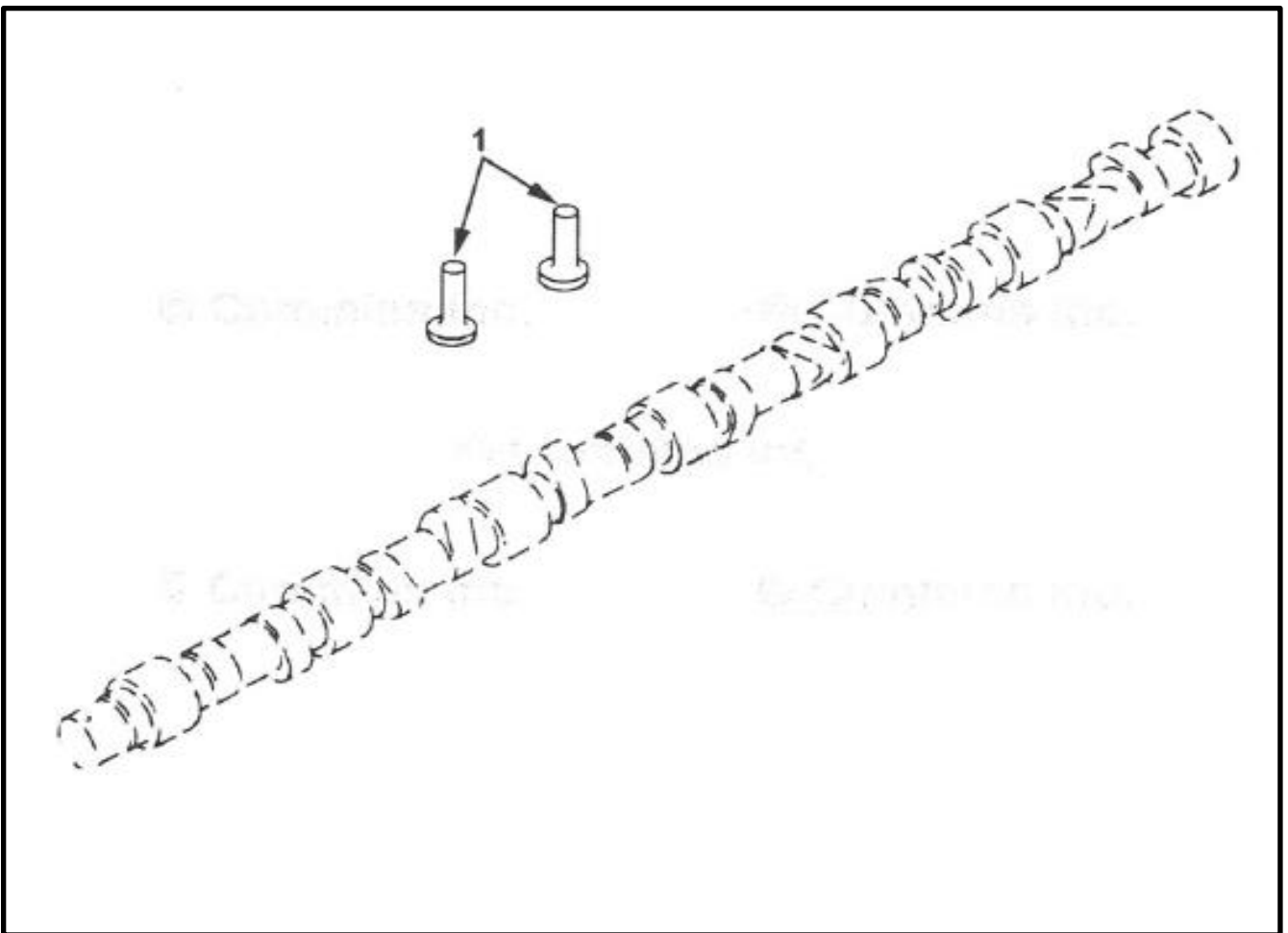
| <u>Item</u>                      | <u>Qty</u> | <u>Part Number</u> | <u>Description</u>                                |
|----------------------------------|------------|--------------------|---|
|                                  | 6          | M321-501-11        | Kit, Cylinder Liner                               |
| 1                                | 1          | (M321-501-13)      | Liner, Cylinder (Sold in higher level assy / kit) |
| 2                                | 1          | M321-501-12        | Seal, Rectangular Ring                            |
| <b>Counterbore Service Shims</b> |            |                    |   |
| A/R                              |            | M321-501-28        | Shim 0.25mm Oversize (0.010 in)                   |
| A/R                              |            | M321-501-29        | Shim 0.38mm Oversize (0.015 in)                   |
| A/R                              |            | M321-501-30        | Shim 0.51mm Oversize (0.020 in)                   |
| A/R                              |            | M321-501-31        | Shim 0.75mm Oversize (0.030 in)                   |
| A/R                              |            | M321-501-32        | Shim 1.00mm Oversize (0.040 in)                   |



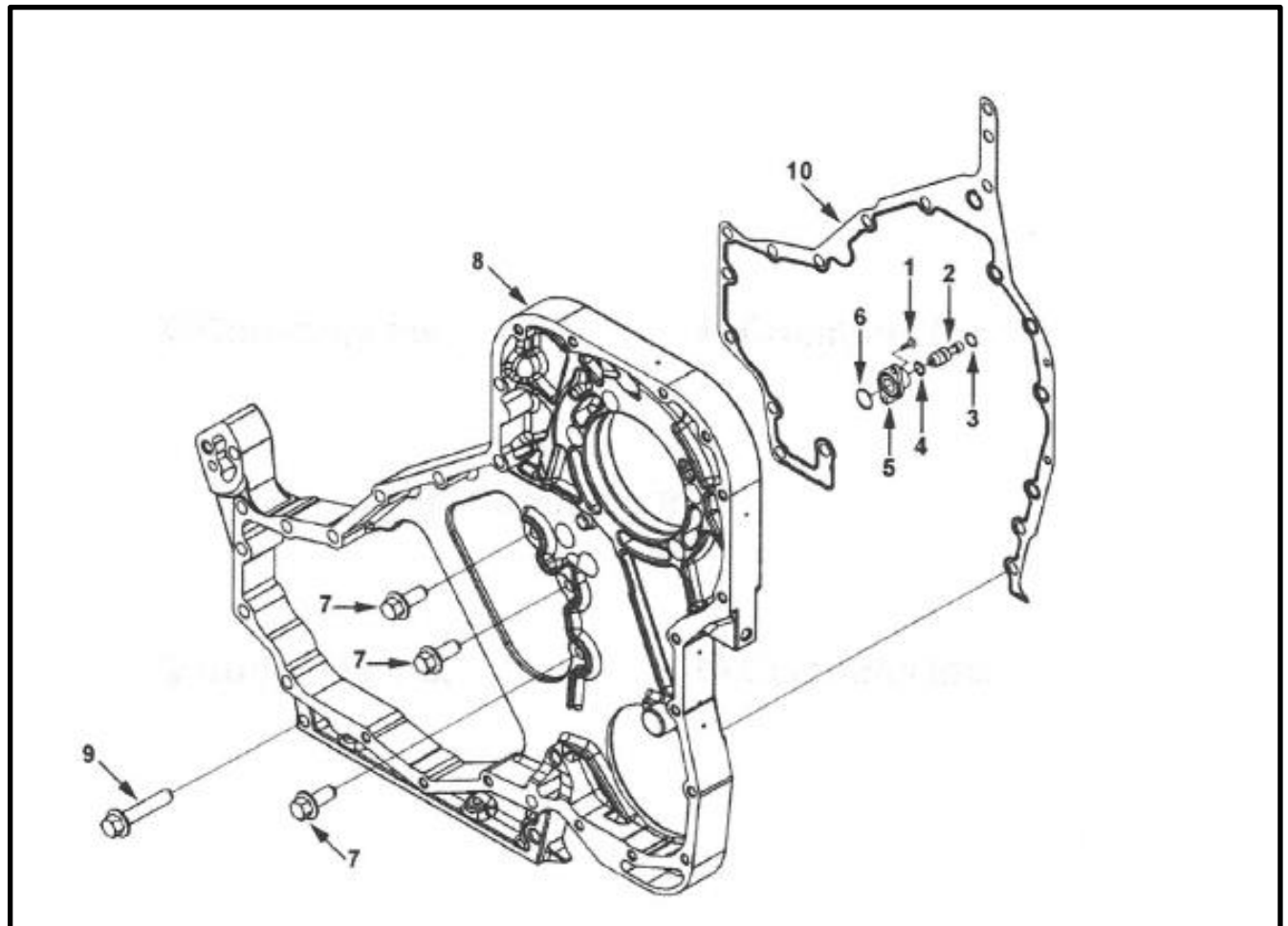
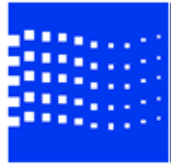
| <u>Item</u> | <u>Qty</u> | <u>Part Number</u> | <u>Description</u>     |
|-------------|------------|--------------------|------------------------|
| 1           | 12         | M321-501-18        | Nozzle, Piston Cooling |



| <u>Item</u> | <u>Qty</u> | <u>Part Number</u> | <u>Description</u>                                 |
|-------------|------------|--------------------|--|
|             | 1          | M321-501-33        | Assembly TLA, Crankshaft                           |
| 1           | 1          | (M321-501-34)      | Crankshaft, Engine                                 |
| 2           | 1          | M321-501-35        | Gear, Crankshaft                                   |
| 3           | 1          | M321-501-36        | Pin, Dowel   |
|             | 1          | M321-501-17        | Seal, O-Ring                                       |
|             |            |                    | <b>Main Bearing Sets</b>                           |
|             | 1          | M321-501-37        | Kit, PDC      Standard                             |
| 4           | 6          | (M321-501-38)      | Bearing, Main    (Sold in higher level assy / kit) |
| 5           | 1          | M321-501-39        | Bearing, Crakshaft Thrust    Standard              |
| 6           | 7          | (M321-501-40)      | Bearing, Main    (Sold in higher level assy / kit) |



| <u>Item</u> | <u>Qty</u> | <u>Part Number</u> | <u>Description</u> |
|-------------|------------|--------------------|--------------------|
| 1           | 12         | M321-501-41        | Tappet, Valve      |

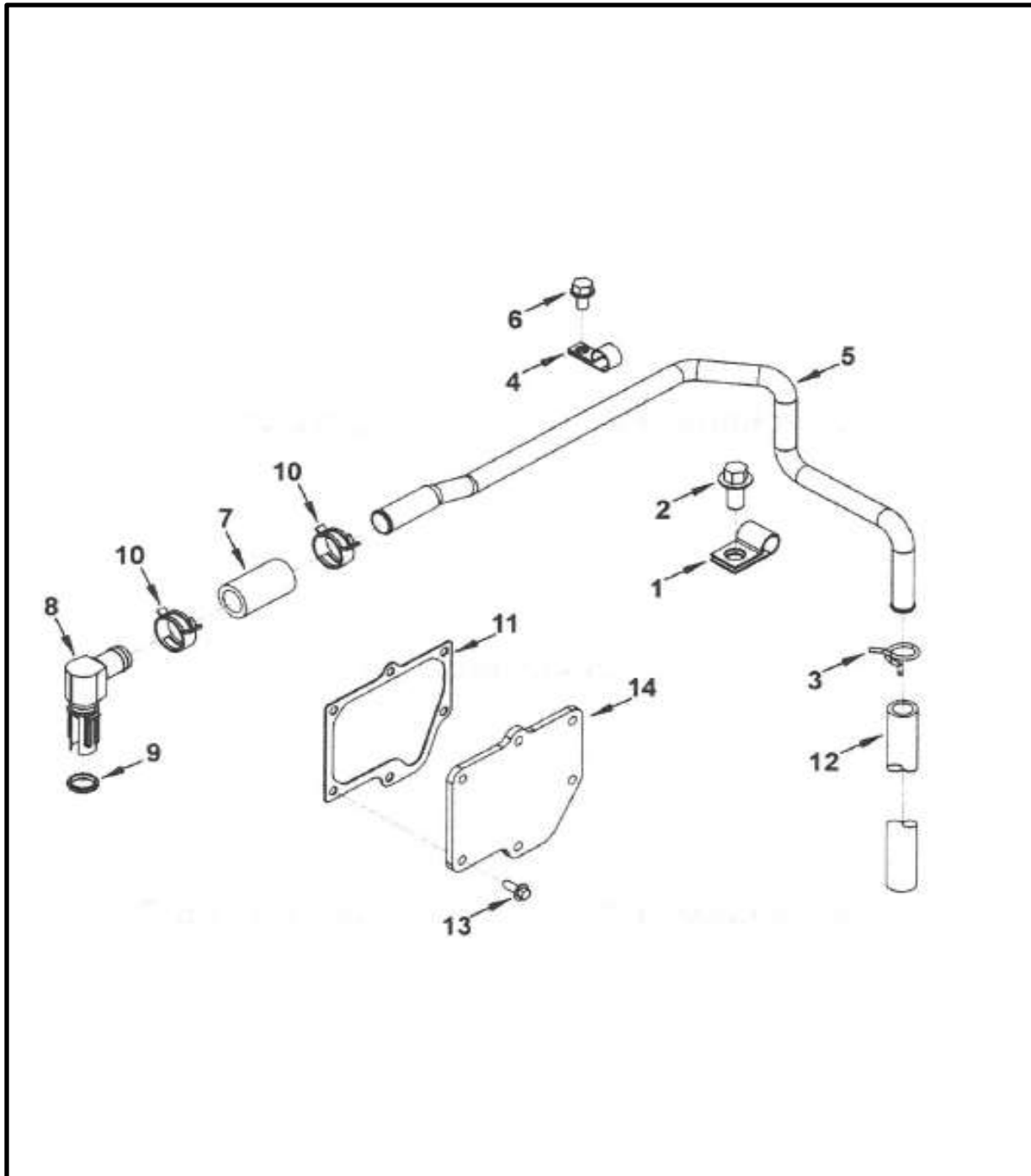


| <u>Item</u> | <u>Qty</u> | <u>Part Number</u> | <u>Description</u>         |
|-------------|------------|--------------------|----------------------------|
| 1           | 2          | M321-501-42        | Screw, Round Head Cap      |
|             | 1          | M321-501-43        | Housing, Timing Pin        |
| 2           | 1          | M250-614-01        | Pin, Timing                |
| 3           | 1          | M321-501-44        | Ring, Retaining            |
| 4           | 1          | M250-615-01        | Seal, O-Ring               |
| 5           | 1          | M250-616-01        | Housing, Timing Pin        |
| 6           | 1          | M250-617-01        | Seal, Rectangular Ring     |
| 7           | 3          | M321-501-45        | Screw, Hex Flange Head Cap |
| 8           | 1          | M321-501-46        | Housing, Gear              |
| 9           | 3          | M321-501-47        | Screw, Hex Flange Head Cap |
| 10          | 1          | M321-501-48        | Gasket, Gear Housing       |





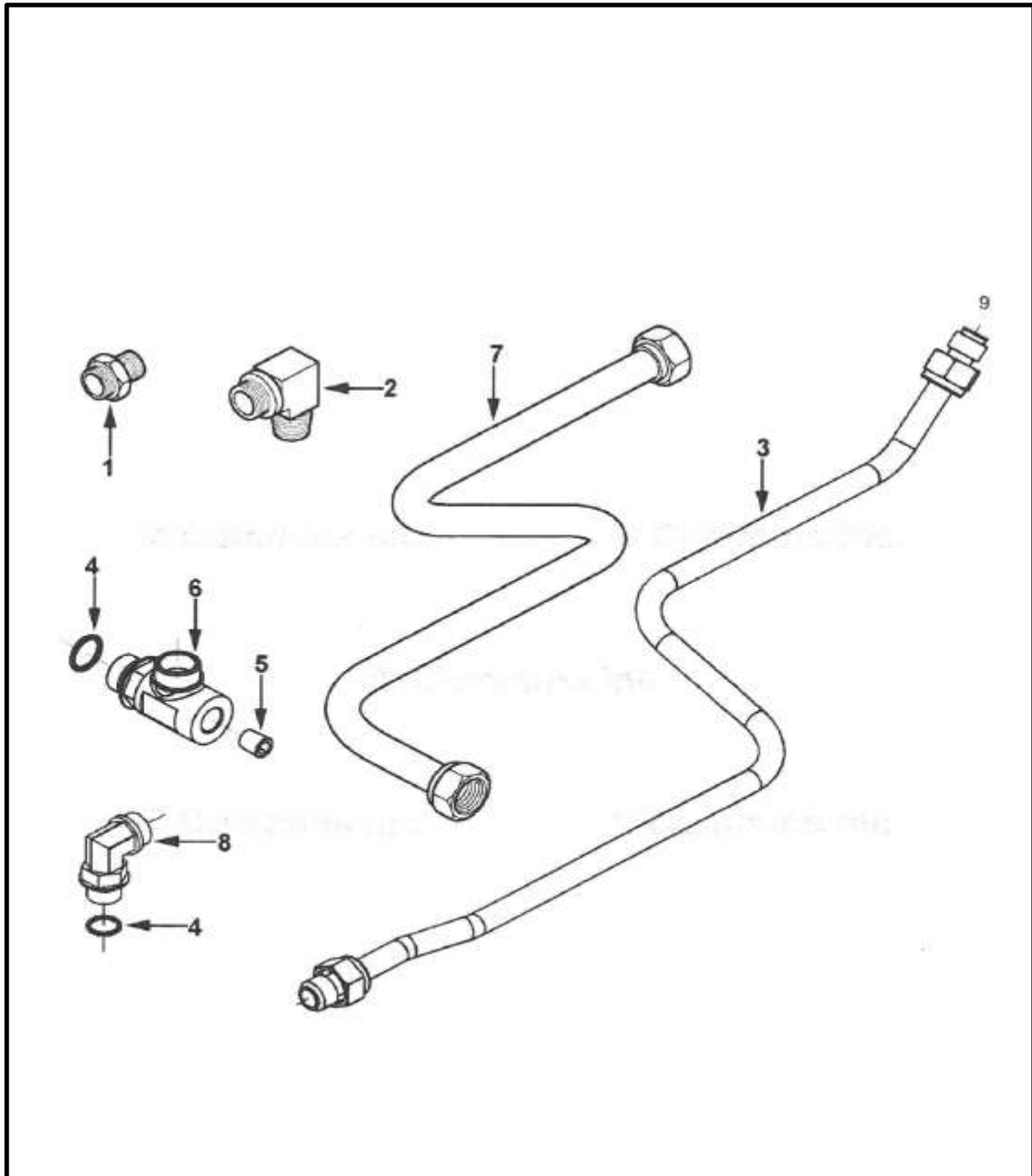
**CRANKCASE BREATHER**

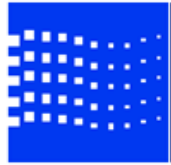




---

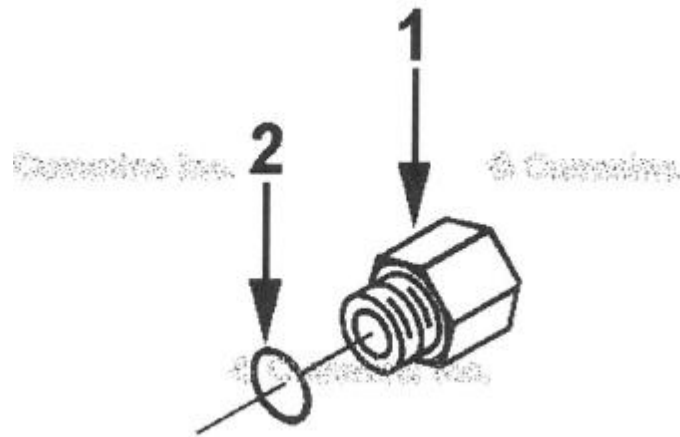
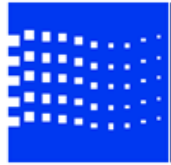
| <u>Item</u> | <u>Qty</u> | <u>Part Number</u> | <u>Description</u>         |
|-------------|------------|--------------------|----------------------------|
| 1           | 1          | M321-501-49        | Clip                       |
| 2           | 1          | M321-501-50        | Screw, Hex Flange Head Cap |
| 3           | 1          | M321-501-51        | Clamp, Spring Hose         |
| 4           | 1          | M321-501-52        | Clip                       |
| 5           | 1          | M321-501-53        | Tube, Breather             |
| 6           | 1          | M321-501-54        | Screw, Self Tapping Metal  |
| 7           | 1          | M321-501-55        | Hose, Plain                |
| 8           | 1          | M321-501-56        | Connection, Vent           |
| 9           | 1          | M321-501-57        | Seal, Rectangular Ring     |
| 10          | 2          | M321-501-58        | Clamp, Hose                |
| 11          | 1          | M321-501-59        | Gasket, Breather           |
| 12          | 1          | M321-501-60        | Hose, PLain                |
| 13          | 6          | M321-501-61        | Screw, Hex Flange Head Cap |
| 14          | 1          | M321-501-62        | Plate, Cover               |



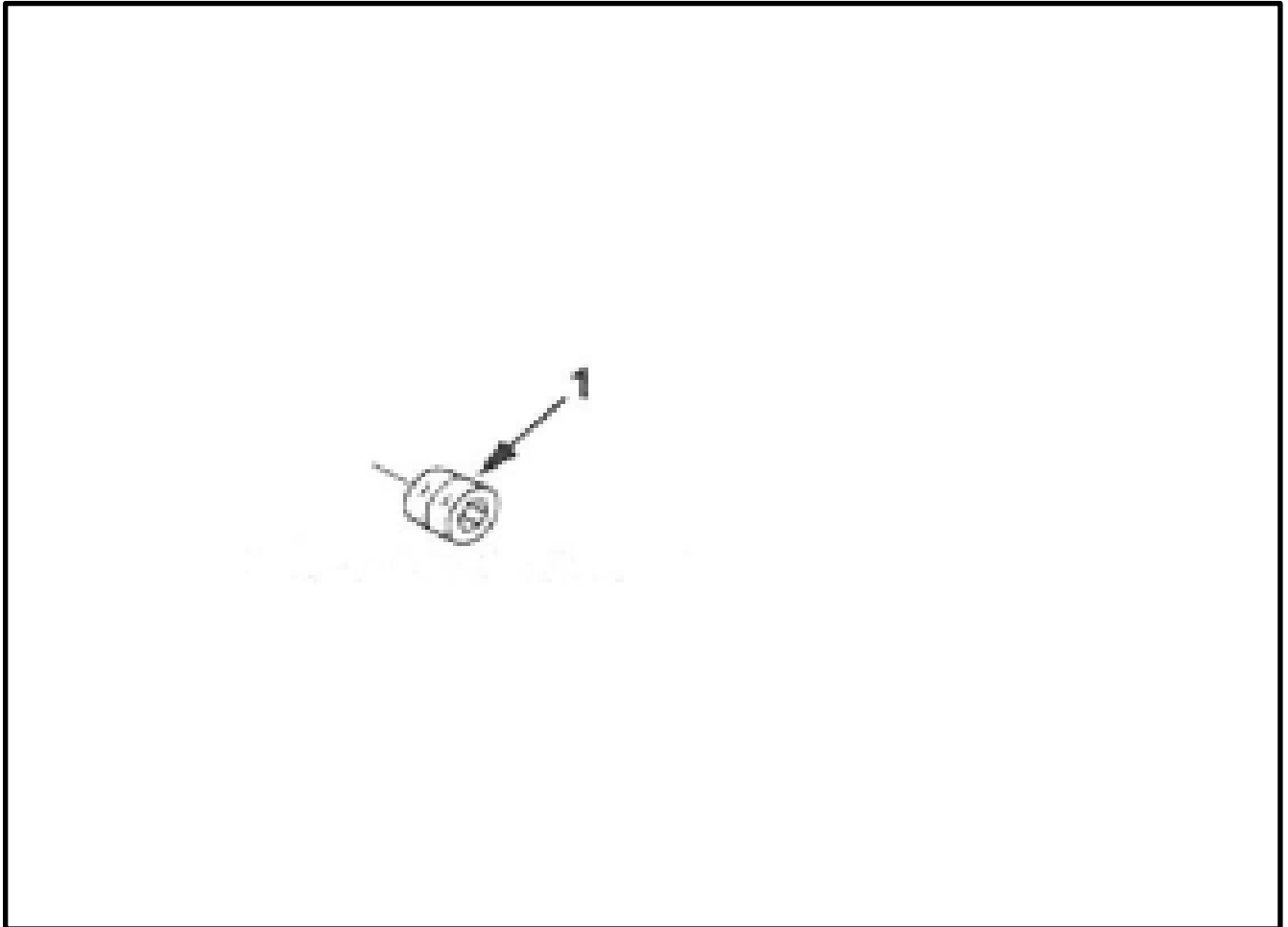
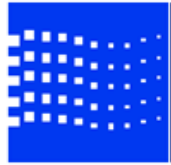


---

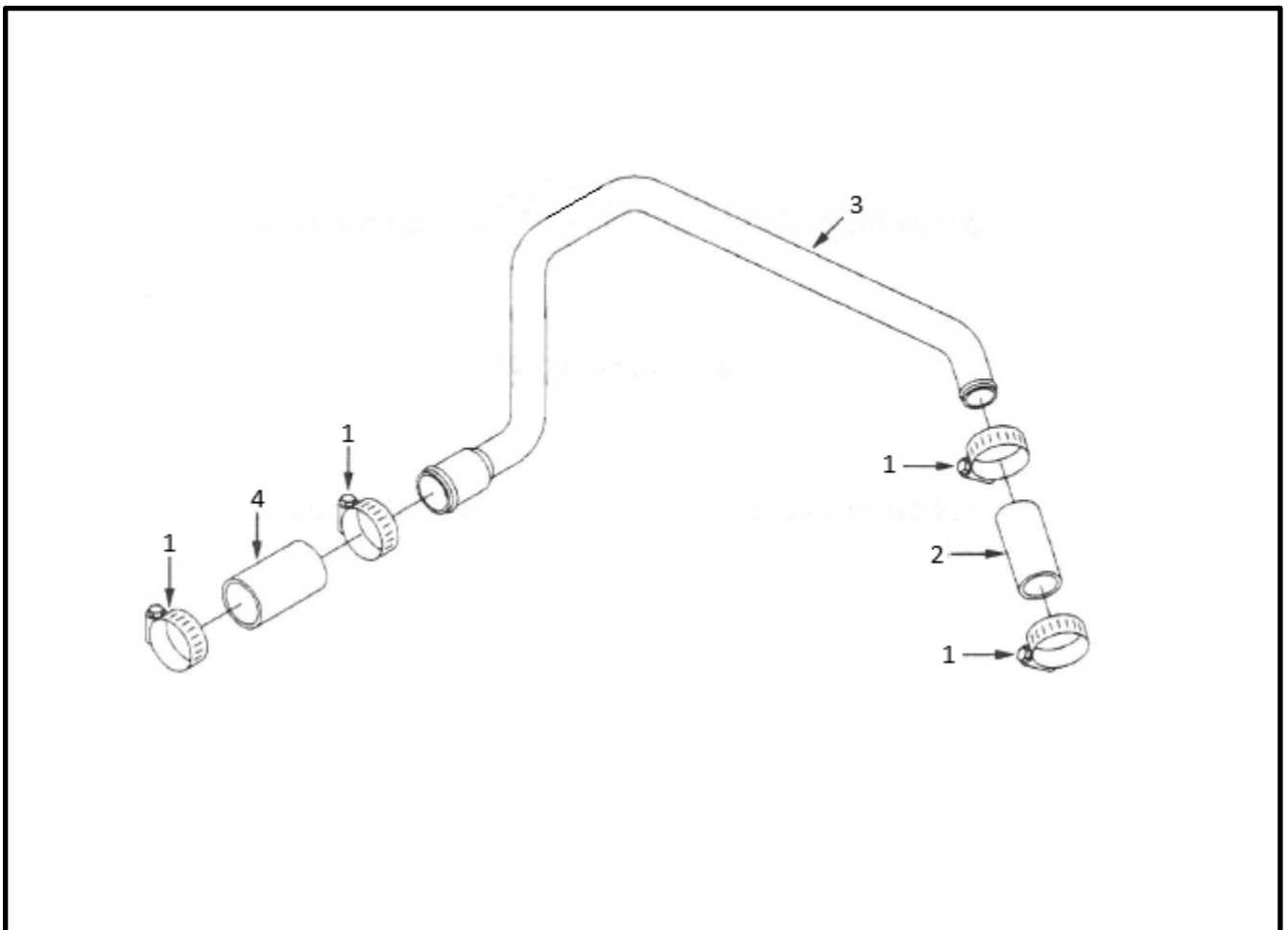
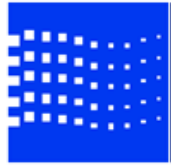
| <u>Item</u> | <u>Qty</u> | <u>Part Number</u> | <u>Description</u>     |
|-------------|------------|--------------------|------------------------|
| 1           | 1          | M321-501-63        | Connector, Male        |
| 2           | 1          | M321-501-64        | Elbow, Male Adapter    |
| 3           | 1          | M321-501-65        | Tube, Cpr Water Inlet  |
|             | 1          | M321-501-66        | Tee, Plain Adapter     |
| 4           | 2          | M321-501-67        | Seal, O-Ring           |
| 5           | 1          | M321-501-68        | Plug, Pipe             |
| 6           | 1          | (M321-501-69)      | Tee, Plain Adapter     |
| 7           | 1          | M321-501-70        | Tube, Cpr Water Outlet |
|             | 1          | M321-501-71        | Elbow, Male adapter    |
| 8           | 1          | (M321-501-72)      | Elbow, Male adapter    |
| 9           | 1          | M508-558-01        | Seal                   |



| <u>Item</u> | <u>Qty</u> | <u>Part Number</u> | <u>Description</u>    |
|-------------|------------|--------------------|-----------------------|
|             | 1          | M321-501-73        | Union, Female Adapter |
| 1           | 1          | (M321-501-74)      | Union, Female Adapter |
| 2           | 1          | M321-501-75        | Seal, O-Ring          |



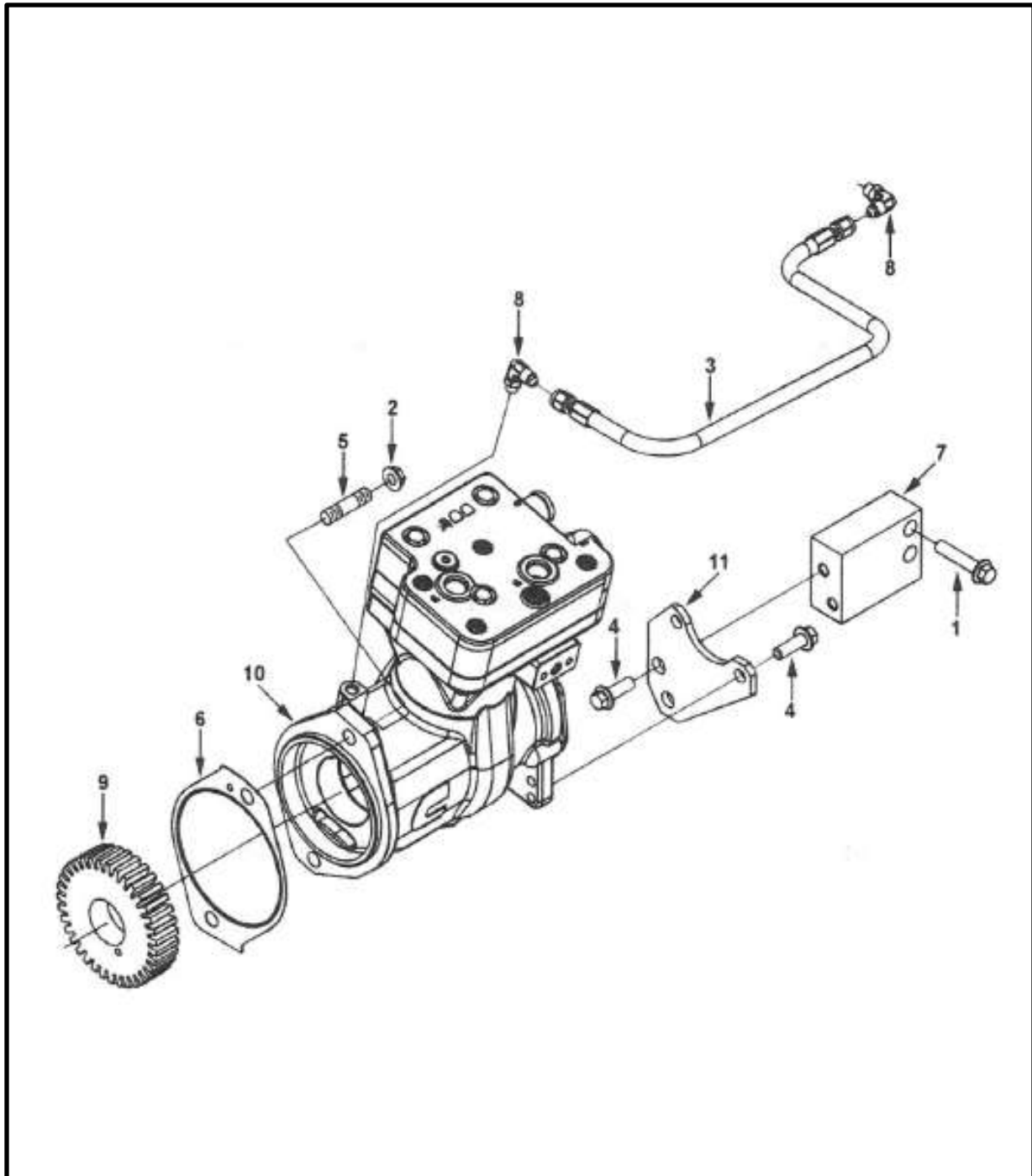
| <u>Item</u> | <u>Qty</u> | <u>Part Number</u> | <u>Description</u> |
|-------------|------------|--------------------|--------------------|
| 1           | 1          | M321-509-09        | Plug, Pipe         |



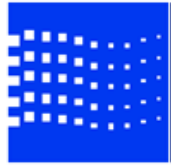
| <u>Item</u> | <u>Qty</u> | <u>Part Number</u> | <u>Description</u>         |
|-------------|------------|--------------------|----------------------------|
| 1           | 4          | M600-730-01        | Clamp, Hose                |
| 2           | 1          | M250-622-01        | Hose, Plain, Upper         |
| 3           | 1          | M250-206-02        | Tube, Compressor Air Inlet |
| 4           | 1          | M250-622-02        | Hose, Plain, Lower         |



**AIR COMPRESSOR**

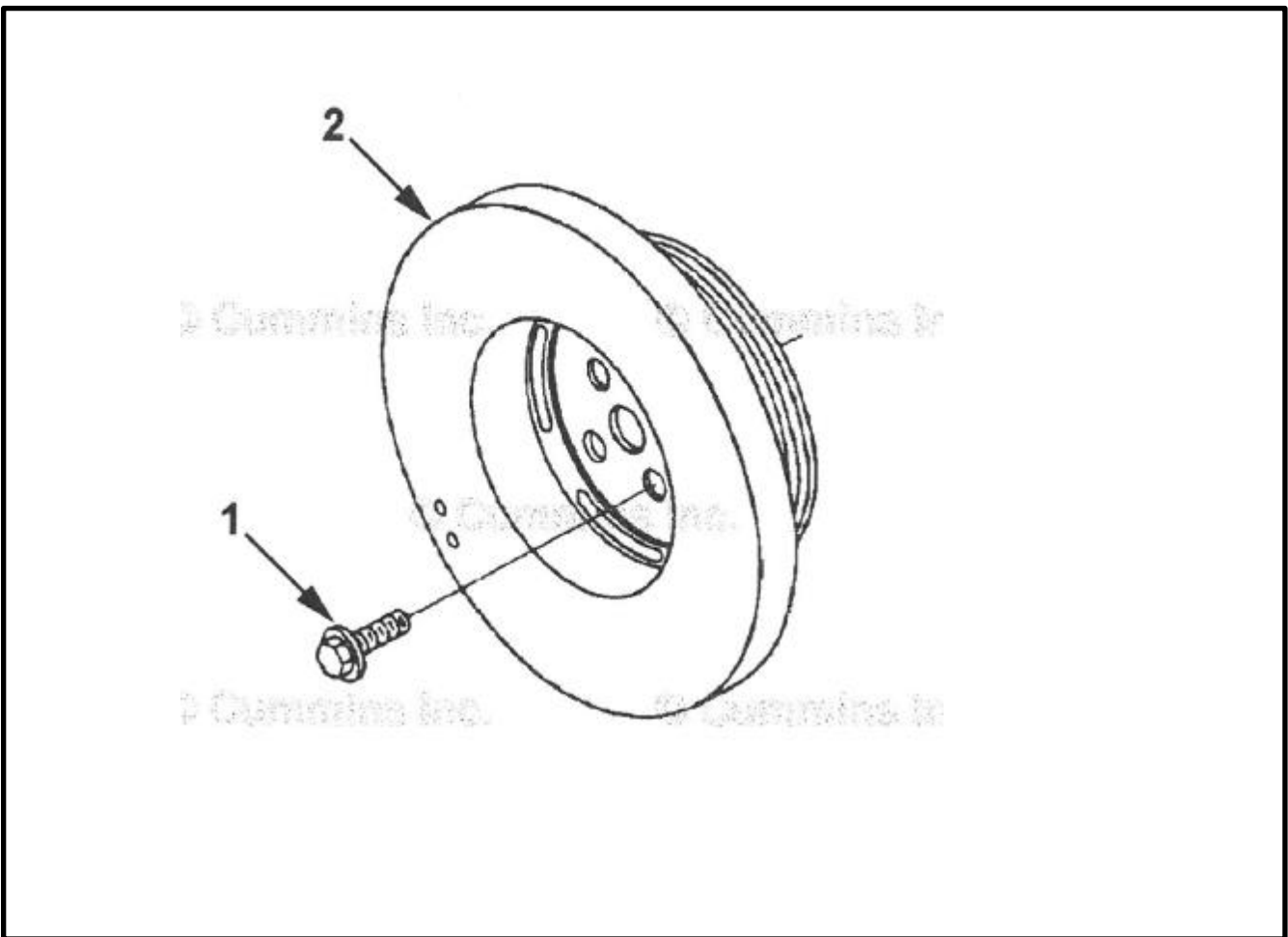




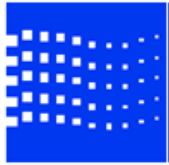


---

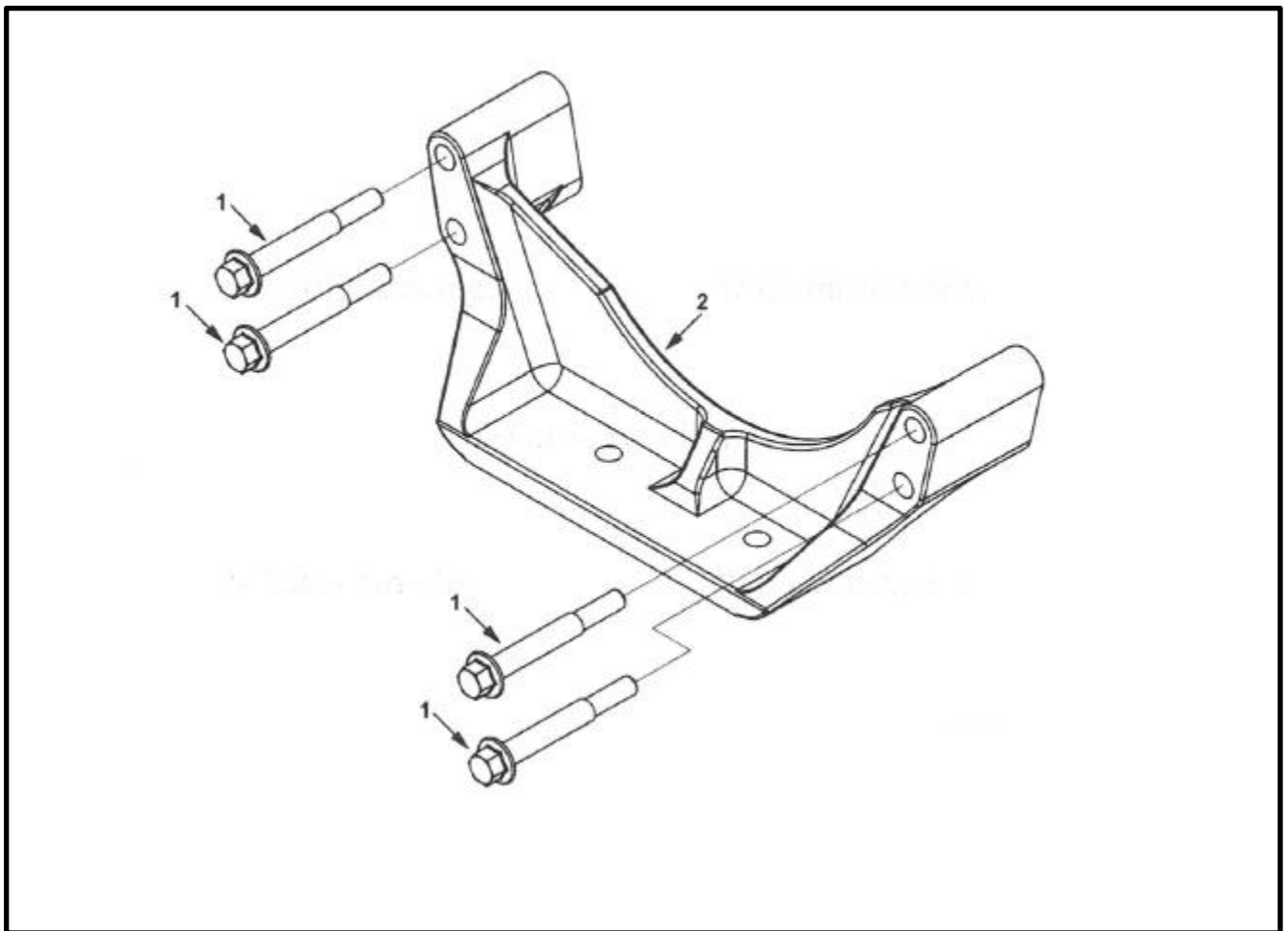
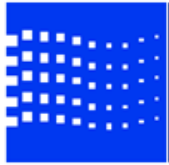
| <u>Item</u> | <u>Qty</u> | <u>Part Number</u> | <u>Description</u>             |
|-------------|------------|--------------------|--------------------------------|
| 1           | 2          | M250-623-01        | Screw, Hex Flange Head Cap     |
| 2           | 2          | M509-531-01        | Nut, Hexagon Flange            |
| 3           | 1          | M321-501-76        | Hose, Flexible                 |
| 4           | 4          | M321-501-77        | Screw, Hex Flange Head Cap     |
| 5           | 2          | M321-501-78        | Stud                           |
| 6           | 1          | M506-570-01        | Gasket, Hydraulic Pump         |
| 7           | 1          | M321-501-79        | Spacer, Mounting               |
| 8           | 1          | M321-501-80        | Elbow, Plain Union             |
|             | 1          | M250-591-02        | Compressor, Air (includes # 9) |
| 9           | 1          | M250-591-03        | Gear, Accessory Drive          |
| 10          | 1          | M250-591-01        | Compressor, Air                |
| 11          | 1          | M321-501-81        | Brace, Air Compressor          |
|             |            |                    | <b>COMPRESSOR SERVICE KITS</b> |
|             | 1          | M250-591-04        | Kit, Air Compressor Repair     |
|             | 1          | M250-591-05        | Kit, Rear Seal & Adapter       |
|             | 1          | M250-591-06        | Kit, Gasket                    |
|             | 1          | M250-591-07        | Adapter, Spline                |



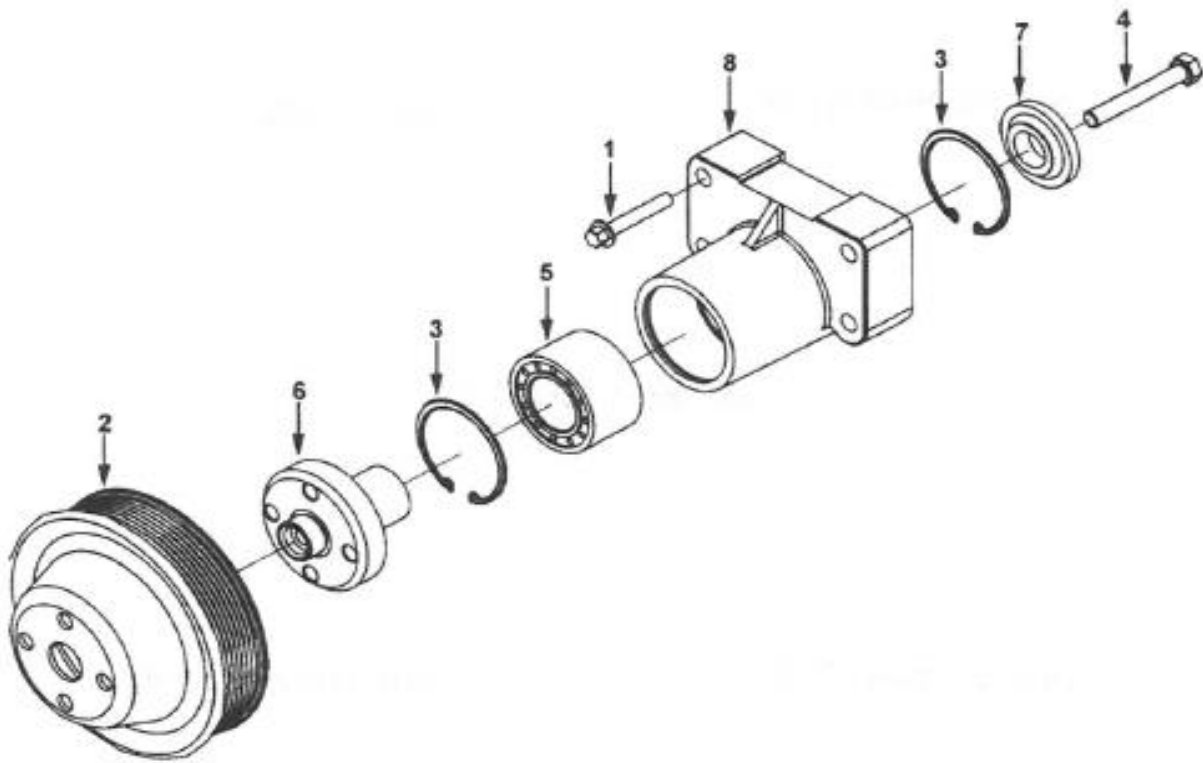
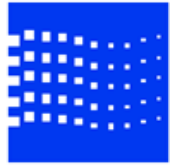
| <u>Item</u> | <u>Qty</u> | <u>Part Number</u> | <u>Description</u>         |
|-------------|------------|--------------------|----------------------------|
| 1           | 4          | M321-501-82        | Screw, Hex Flange Head Cap |
| 2           | 1          | M321-501-83        | Damper, Vibration          |



| <u>Item</u> | <u>Qty</u> | <u>Part Number</u> | <u>Description</u>            |
|-------------|------------|--------------------|-------------------------------|
| 1           | 1          | M504-517-01        | Thermostat (160 F Thermostat) |

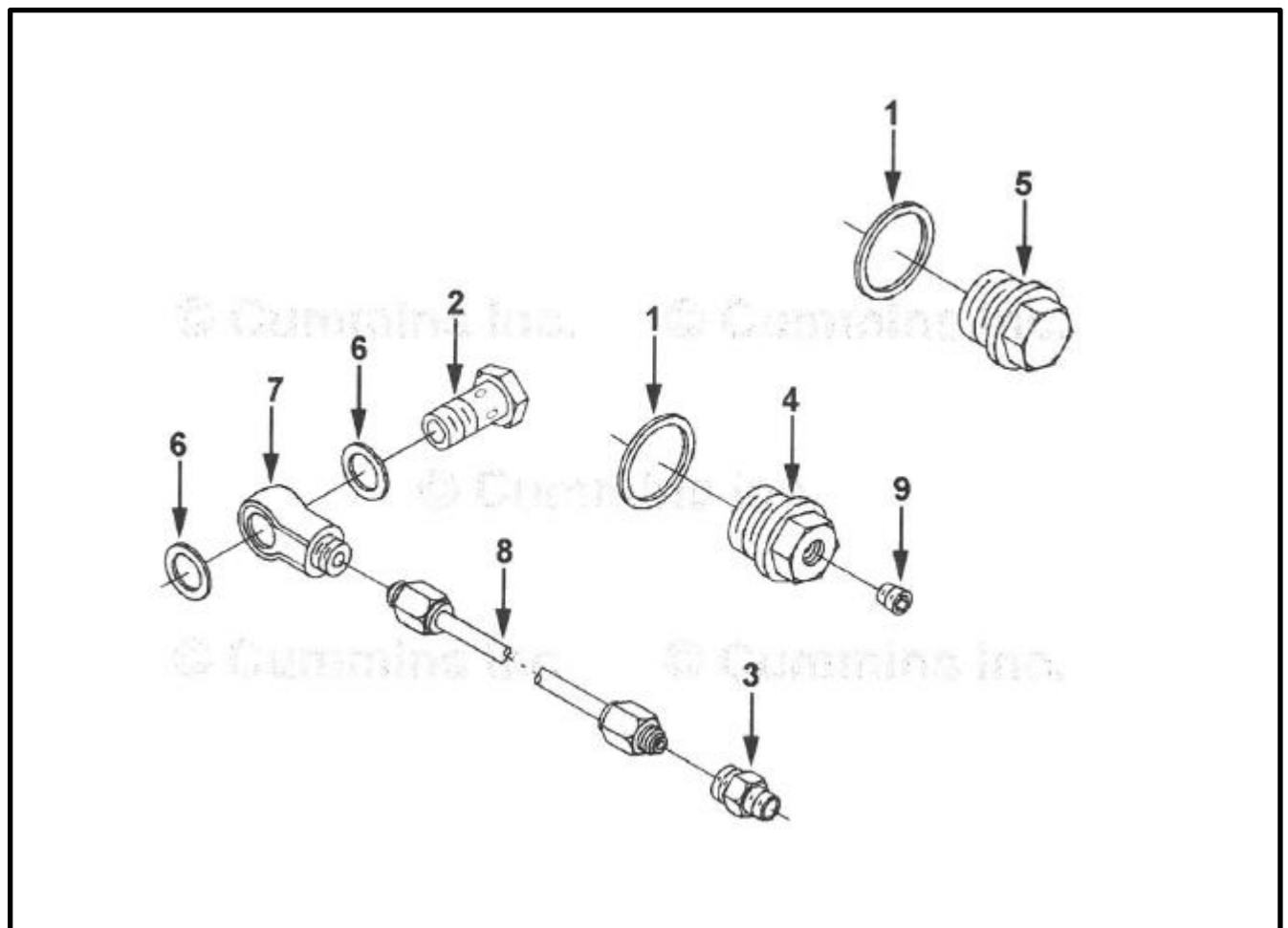
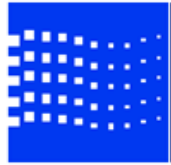


| <u>Item</u> | <u>Qty</u> | <u>Part Number</u> | <u>Description</u>         |
|-------------|------------|--------------------|----------------------------|
| 1           | 4          | M321-501-84        | Screw, Hex Flange Head Cap |
| 2           | 1          | M321-501-85        | Support, Front Engine      |

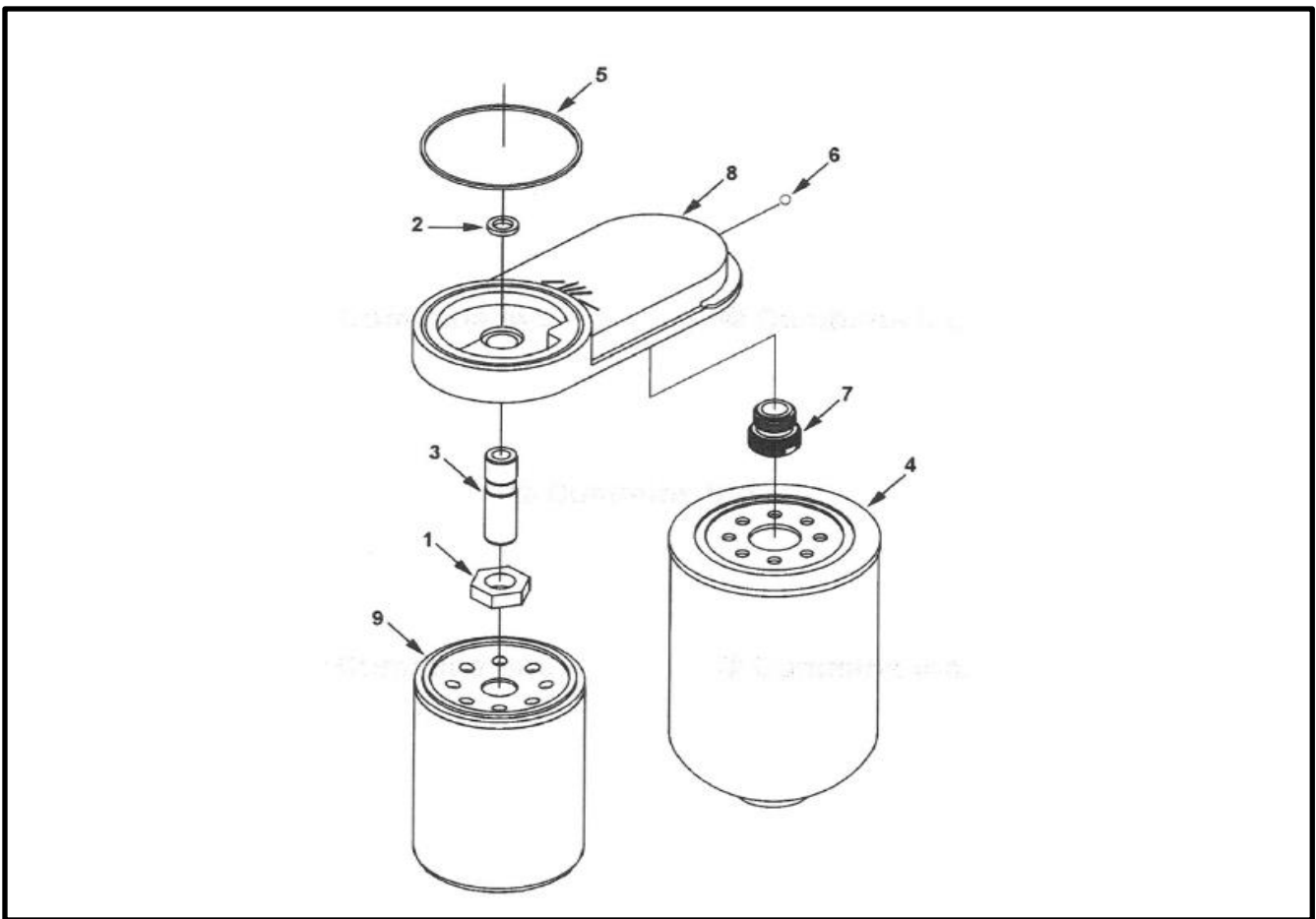
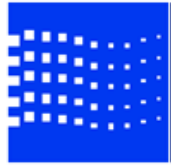


**NOT USED WITH M250-549-01 FAN CLUTCH ASSEMBLY**

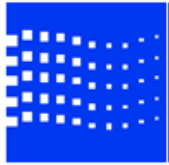
| <u>Item</u> | <u>Qty</u> | <u>Part Number</u> | <u>Description</u>         |
|-------------|------------|--------------------|----------------------------|
| 1           | 4          | M250-623-01        | Screw, Hex Flange Head Cap |
| 2           | 1          | M503-528-01        | Pulley, Fan                |
|             | 1          | M502-575-01        | Support, Fan               |
| 3           | 2          | M510-576-01        | Ring, Retaining            |
| 4           | 1          | M510-577-01        | Screw, Hexagon Head Cap    |
| 5           | 1          | M509-583-01        | Bearing, Ball              |
| 6           | 1          | M321-501-86        | Hub, Fan                   |
| 7           | 1          | M510-578-01        | Retainer, Fan Hub          |
| 8           | 1          | (M321-501-87)      | Support, Fan               |



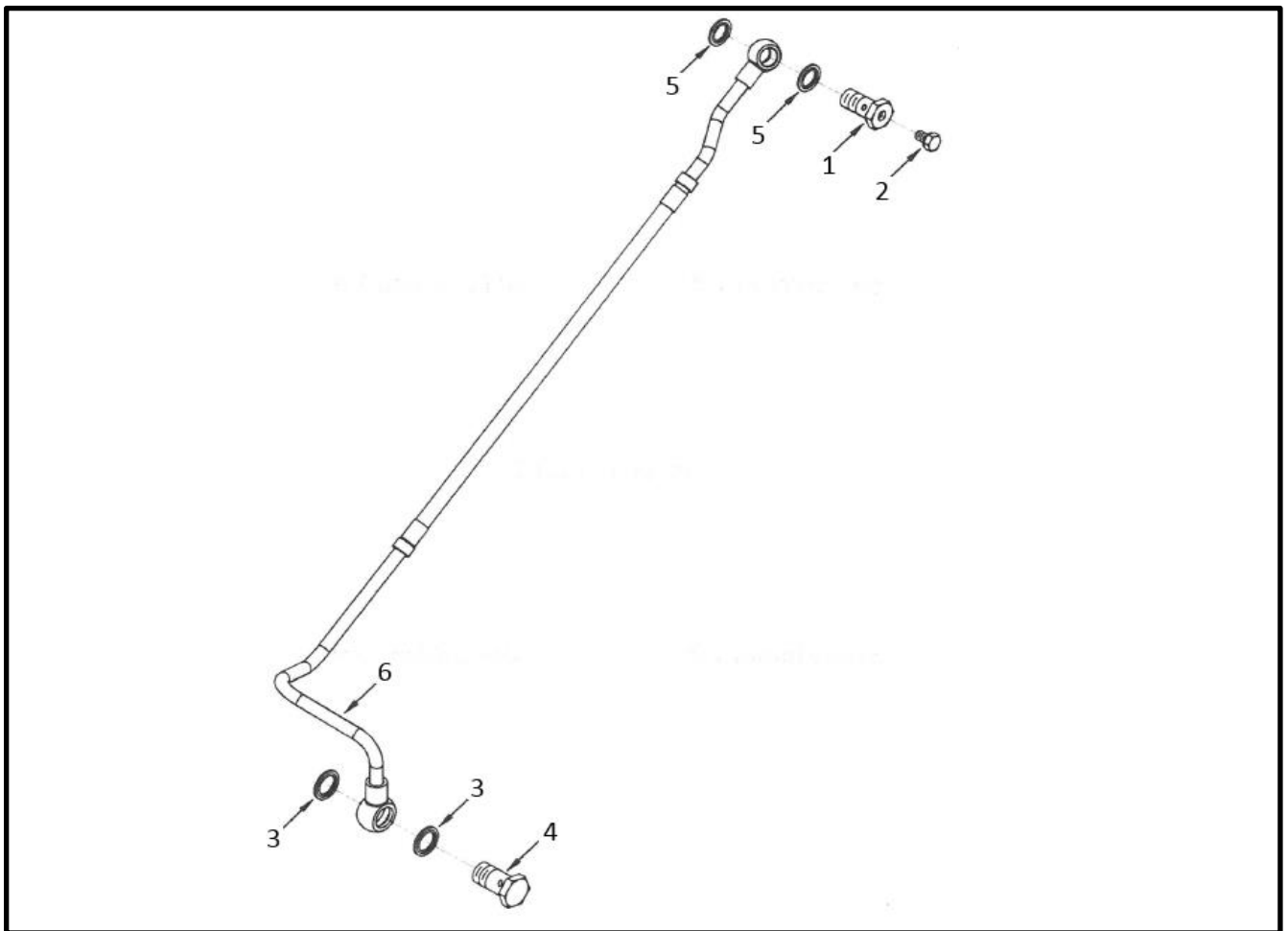
| <u>Item</u> | <u>Qty</u> | <u>Part Number</u> | <u>Description</u>     |
|-------------|------------|--------------------|------------------------|
| 1           | 2          | M321-501-88        | Washer, Sealing        |
| 2           | 1          | M506-533-01        | Screw, Banjo Connector |
| 3           | 1          | M506-534-01        | Connector, Male        |
| 4           | 1          | M321-501-89        | Plug, Threaded         |
| 5           | 1          | M321-501-90        | Plug, Threaded         |
| 6           | 2          | M506-535-01        | Washer, sealing        |
| 7           | 1          | M506-536-01        | Connector, Banjo       |
| 8           | 1          | M506-537-01        | Tube, Air Fuel Control |
| 9           | 1          | M321-501-91        | Plug, Pipe             |



| <u>Item</u> | <u>Qty</u> | <u>Part Number</u> | <u>Description</u>       |
|-------------|------------|--------------------|--------------------------|
| 1           | 1          | M321-501-92        | Nut, Regular Hexagon Jam |
| 2           | 1          | M250-528-01        | Seal, Rectangualr Ring   |
| 3           | 1          | M321-501-93        | Adapter, Filter Head     |
| 4           | 1          | M250-575-01        | Filter, Fuel Primary     |
| 5           | 1          | M250-529-01        | Seal, Rectangualr Ring   |
|             | 1          | M509-556-01        | Head, Fuel Filter        |
| 6           | 1          | (M321-501-94)      | Ball                     |
| 7           | 1          | (M321-501-95)      | Adapter, Filter Head     |
| 8           | 1          | M321-501-96        | Head, Fuel Filter        |
| 9           | 1          | M250-576-01        | Filter, Fuel Secondary   |



## FUEL FILTER PLUMBING

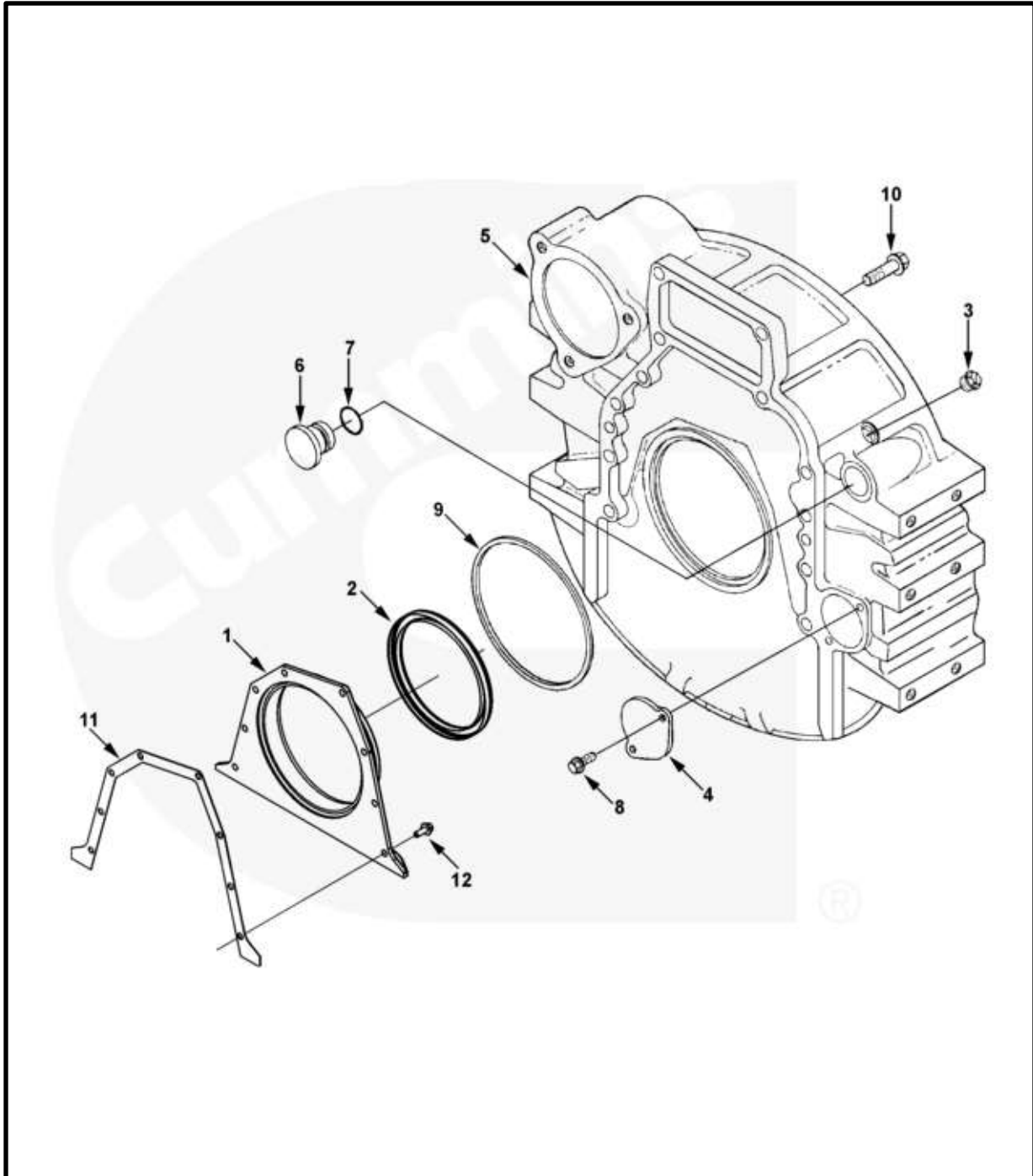


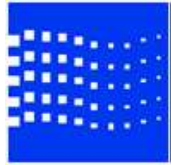
| <u>Item</u> | <u>Qty</u> | <u>Part Number</u> | <u>Description</u>        |
|-------------|------------|--------------------|---------------------------|
| 1           | 1          | M509-572-01        | Screw, Banjo Connector    |
| 2           | 1          | M509-571-01        | Screw, Captive Washer Cap |
| 3           | 2          | M509-514-01        | Washer, Sealing           |
| 4           | 1          | M509-518-01        | Screw, Banjo Connector    |
| 5           | 2          | M506-535-01        | Washer, Sealing           |
| 6           | 1          | M250-563-01        | Tube, Fuel Supply         |





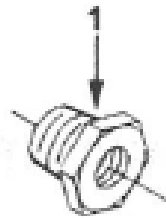
**FLYWHEEL HOUSING**



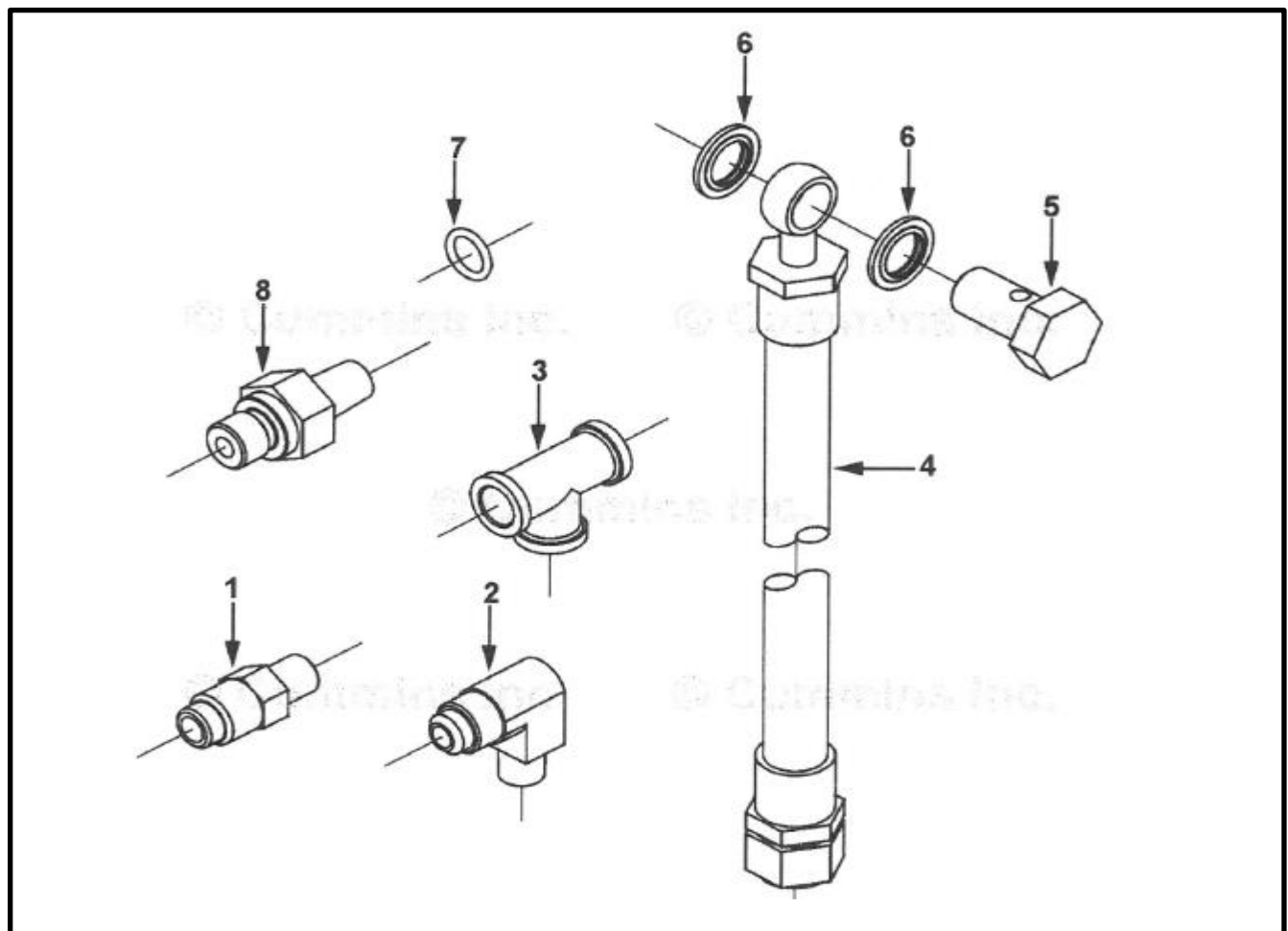
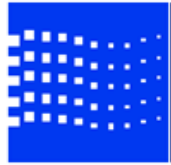


---

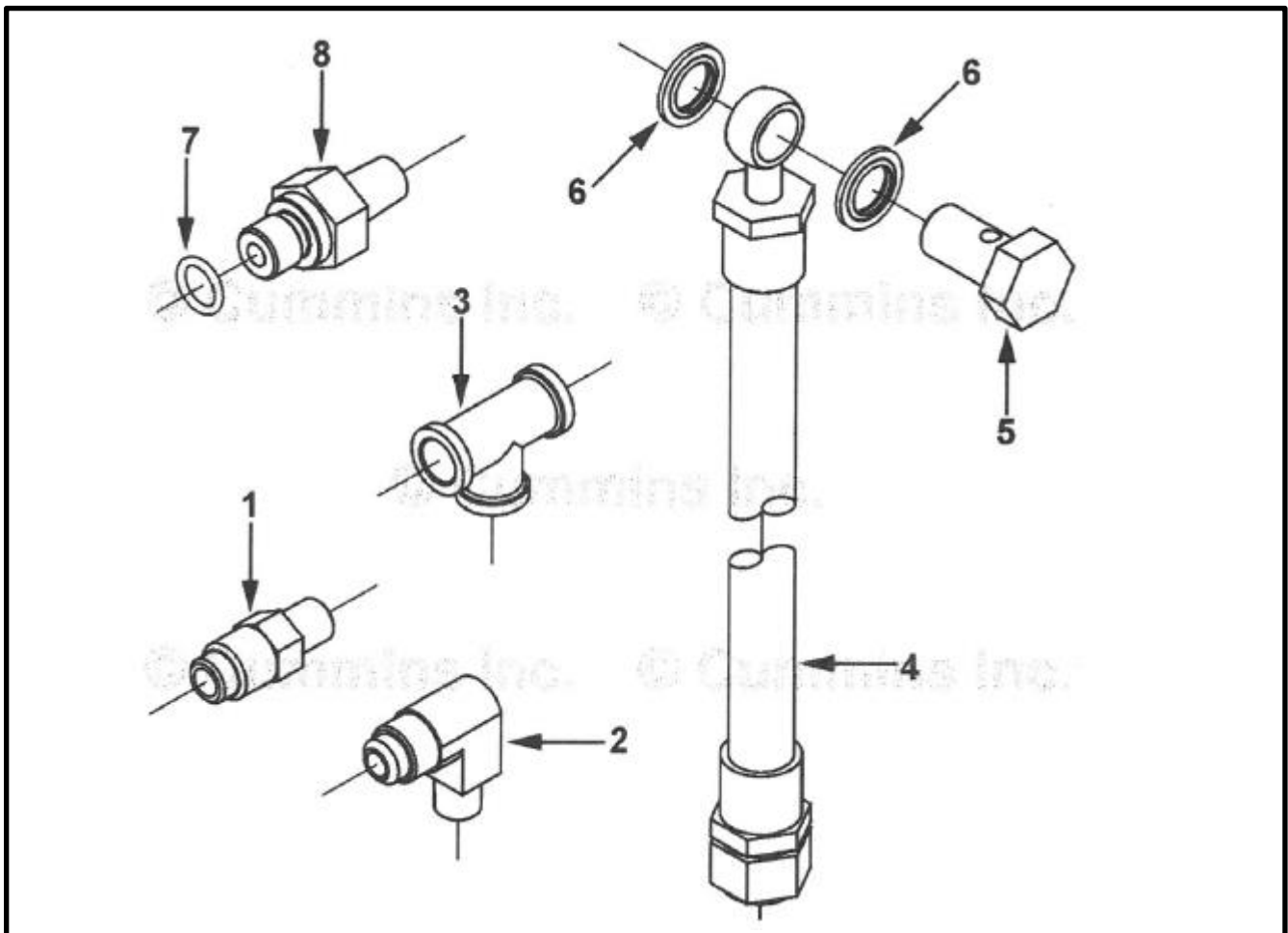
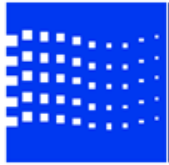
| <u>Item</u> | <u>Qty</u> | <u>Part Number</u> | <u>Description</u>         |
|-------------|------------|--------------------|----------------------------|
| 1           | 1          | M321-501-97        | Cover, Rear                |
| 2           | 1          | M510-596-01        | Seal, Oil                  |
| 3           | 1          | M321-501-98        | Plug, Threaded             |
| 4           | 1          | M321-501-101       | Plate Cover                |
| 5           | 1          | M321-501-322       | Housing, Flywheel SAE 2    |
| 6           | 1          | M509-510-01        | Plug, O-Ring               |
| 7           | 1          | M509-511-01        | Seal, O-Ring               |
| 8           | 2          | M321-501-54        | Srew, Self Tapping Metal   |
| 9           | 1          | M321-501-99        | Seal, Rectangualr Ring     |
| 10          | 12         | M321-501-100       | Screw, Hex Flange Head Cap |
| 11          | 1          | M321-501-102       | Gasket, Rear Cover         |
| 12          | 8          | M321-501-61        | Screw, Hex Flange Head Cap |



| <u>Item</u> | <u>Qty</u> | <u>Part Number</u> | <u>Description</u>     |
|-------------|------------|--------------------|------------------------|
| 1           | 1          | M321-501-104       | Bushing, Reducing Pipe |



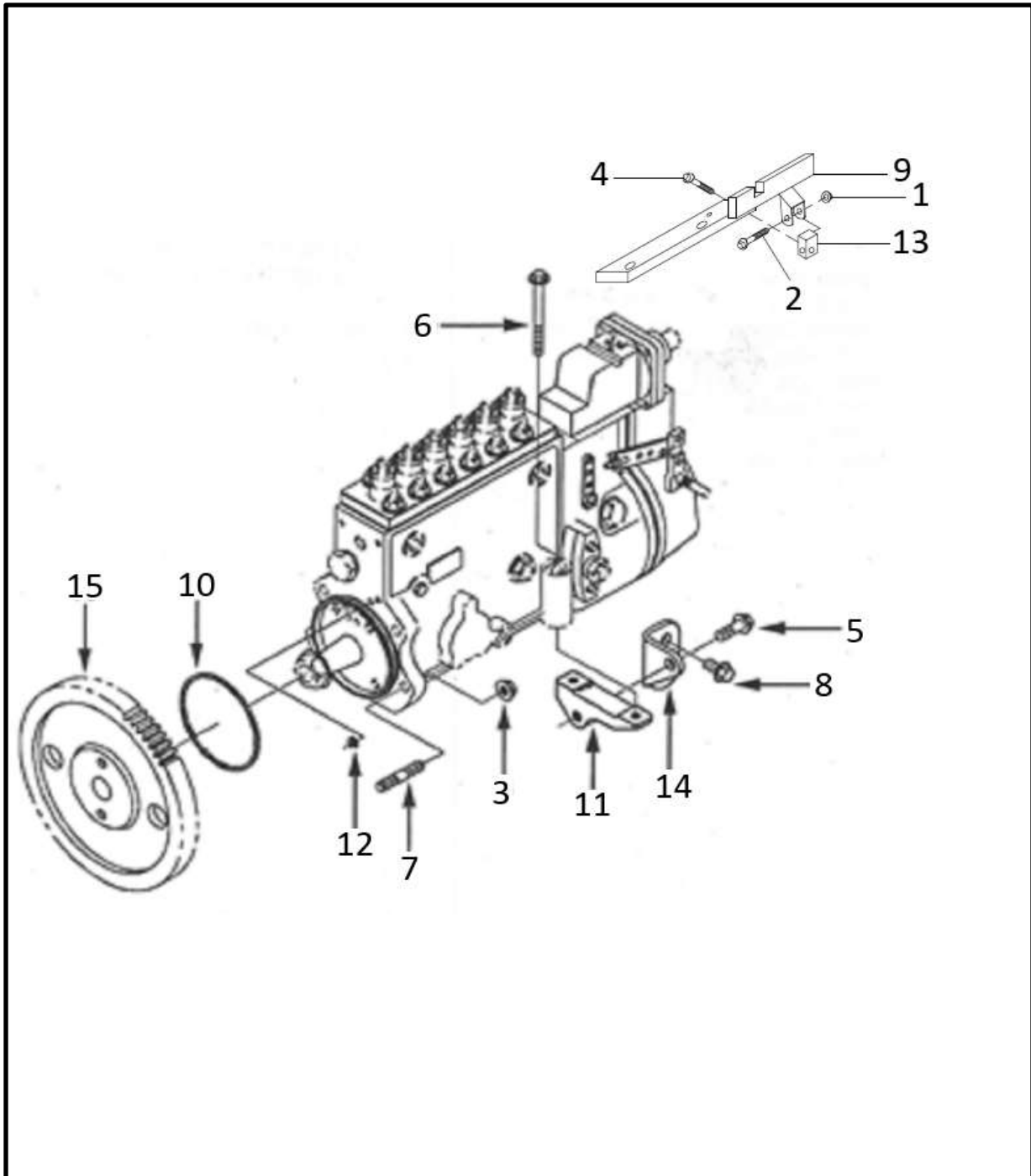
| <u>Item</u> | <u>Qty</u> | <u>Part Number</u> | <u>Description</u>     |
|-------------|------------|--------------------|------------------------|
| 1           | 1          | M321-501-105       | Connector, Male        |
| 2           | 1          | M321-501-106       | Elbow, Male adapter    |
| 3           | 1          | M321-501-107       | Tee, Female Pipe       |
| 4           | 1          | M508-543-01        | Hose, Flexible         |
| 5           | 1          | M508-544-01        | Screw, Banjo Connector |
| 6           | 2          | M508-545-01        | Washer, sealing        |
|             | 1          | M509-555-01        | Connector, Male        |
| 7           | 1          | M321-501-08        | Seal, O-Ring           |
| 8           | 1          | M321-501-108       | Connector, Male        |



| <u>Item</u> | <u>Qty</u> | <u>Part Number</u> | <u>Description</u>     |
|-------------|------------|--------------------|------------------------|
| 1           | 1          | M321-501-105       | Connector, Male        |
| 2           | 1          | M321-501-106       | Elbow, Male adapter    |
| 3           | 1          | M321-501-107       | Tee, Female Pipe       |
| 4           | 1          | M508-543-01        | Hose, Flexible         |
| 5           | 1          | M508-544-01        | Screw, Banjo Connector |
| 6           | 2          | M508-545-01        | Washer, sealing        |
|             | 1          | M509-555-01        | Connector, Male        |
| 7           | 1          | M321-501-08        | Seal, O-Ring           |
| 8           | 1          | M321-501-108       | Connector, Male        |



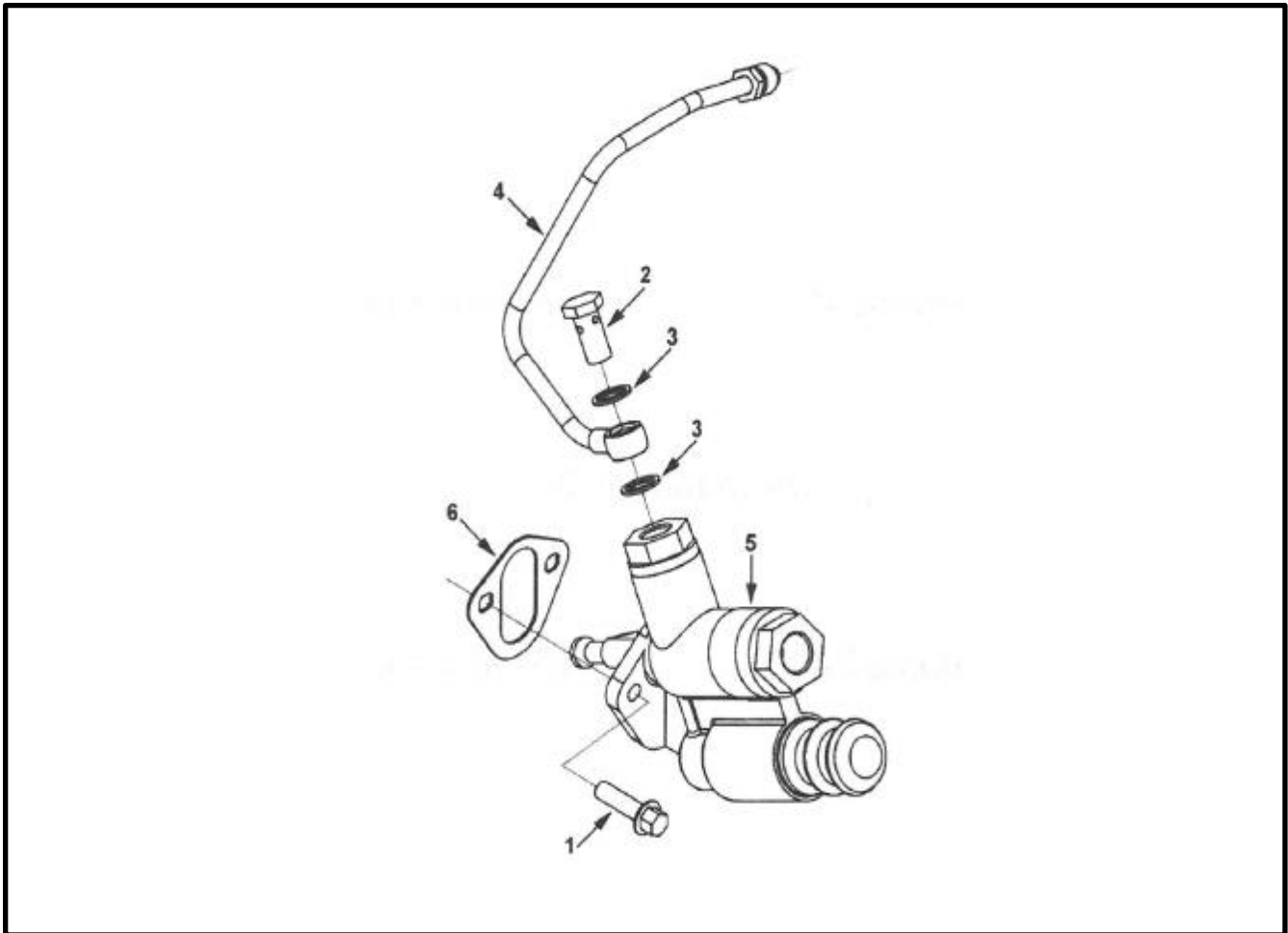
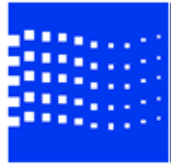
**FUEL PUMP MOUNTING**





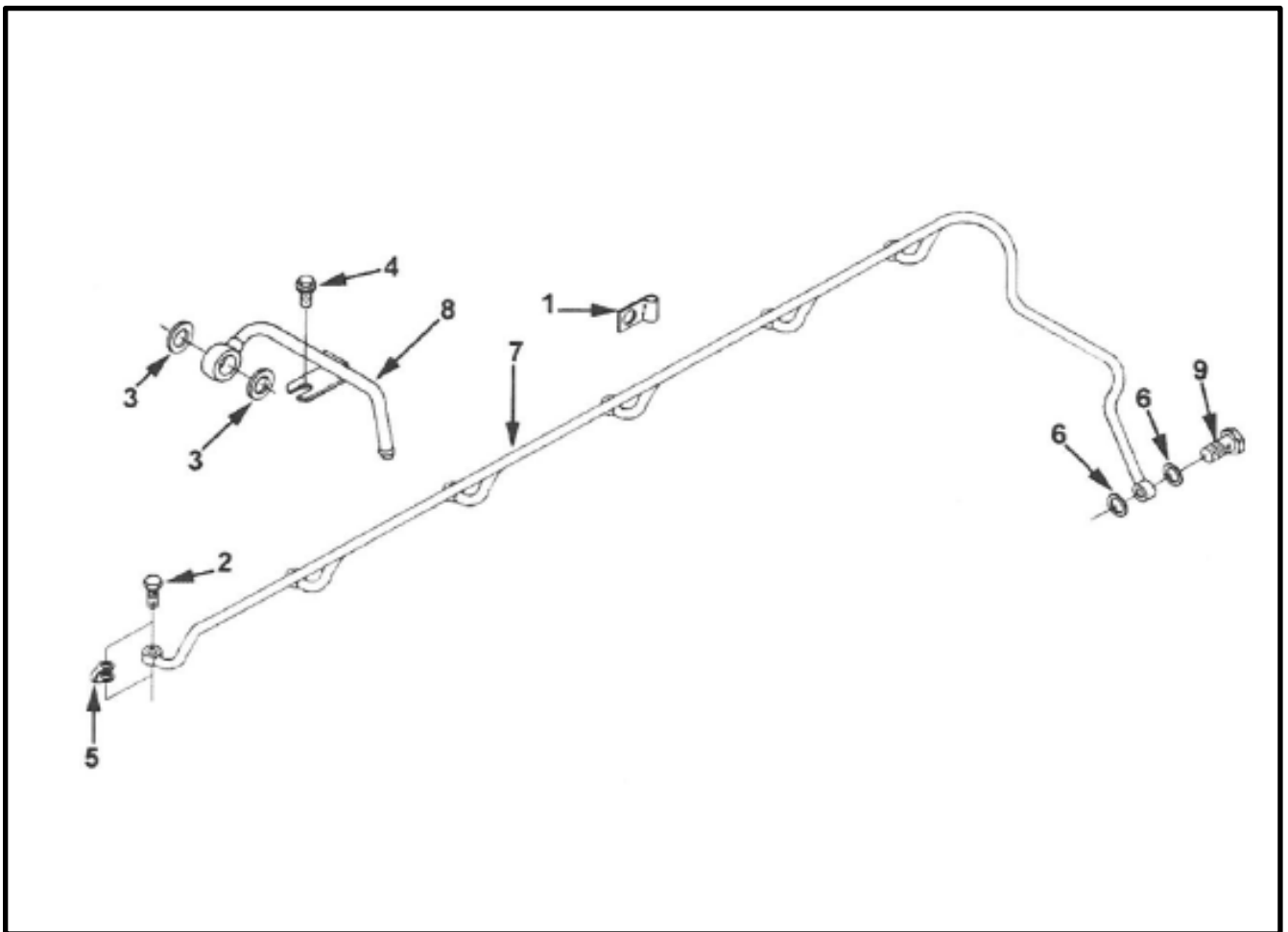
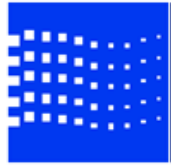
---

| <u>Item</u> | <u>Qty</u> | <u>Part Number</u> | <u>Description</u>                        |
|-------------|------------|--------------------|---|
|             |            | M329-501-01        | Pump, Fuel Injection, Cummins C8.3 230 HP |
| 1           | 1          | M509-545-01        | Nut, Hexagon Flange                       |
| 2           | 1          | M508-551-09        | Screw, Hex Flange Head Cap                |
| 3           | 4          | M321-501-109       | Nut, Hexagon Flange                       |
| 4           | 1          | M321-501-110       | Screw, Hex Flange Head Cap                |
| 5           | 2          | M250-517-01        | Screw, Hex Flange Head Cap                |
| 6           | 2          | M321-501-111       | Screw, Hex Flange Head Cap                |
| 7           | 4          | M321-501-112       | Stud                                      |
| 8           | 1          | M321-501-113       | Screw, Hex Flange Head Cap                |
| 9           | 1          | M250-520-01        | Bracket, Fuel Lines                       |
| 10          | 1          | M321-501-114       | Seal, O-Ring                              |
| 11          | 1          | M321-501-115       | Support, Fuel Pump                        |
| 12          | 1          | M321-501-116       | Seal, Rectangular Ring                    |
| 13          | 1          | M250-619-01        | Support, Fuel Pump                        |
| 14          | 1          | M321-501-117       | Support, Fuel Pump                        |
| 15          | 1          | M321-501-118       | Gear, Fuel Pump                           |

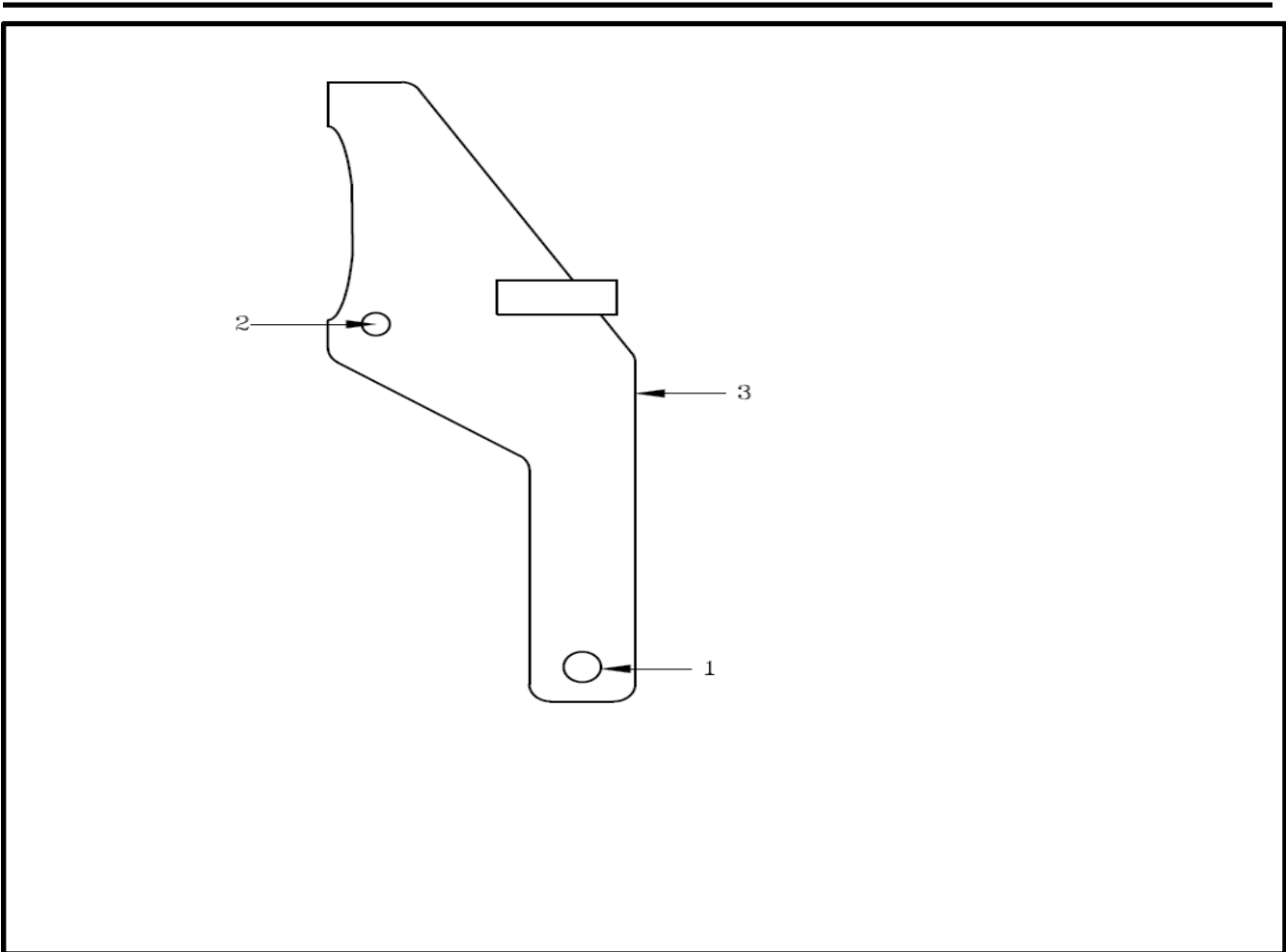


| <u>Item</u> | <u>Qty</u> | <u>Part Number</u> | <u>Description</u>      |
|-------------|------------|--------------------|-------------------------|
| 1           | 2          | M321-501-119       | Screw, Hexagon Head Cap |
| 2           | 1          | M508-597-01        | Screw, Banjo Connector  |
| 3           | 2          | M506-535-01        | Washer, Sealing         |
| 4           | 1          | M508-612-01        | Tube, Fuel Supply       |
| 5           | 1          | M505-510-01        | Pump, Fuel Transfer     |
| 6           | 1          | M505-511-01        | Gasket, Cover Plate     |

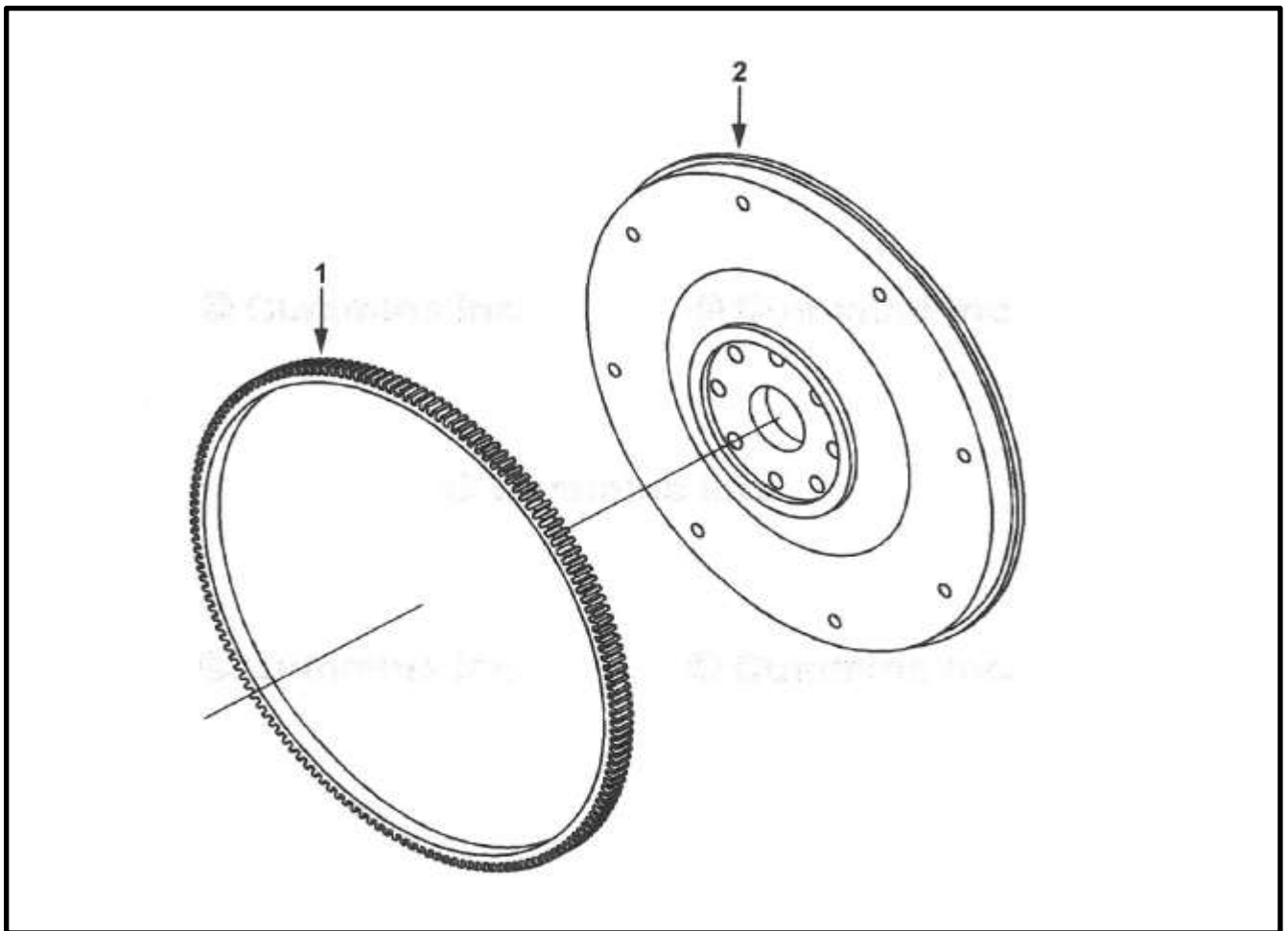
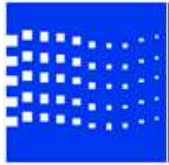




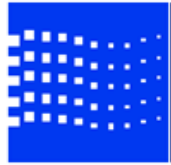
| <u>Item</u> | <u>Qty</u> | <u>Part Number</u> | <u>Description</u>          |
|-------------|------------|--------------------|-----------------------------|
| 1           | 1          | M509-512-01        | Clip                        |
| 2           | 6          | M509-513-01        | Screw, Banjo Connector      |
| 3           | 2          | M509-514-01        | Washer, Sealing             |
| 4           | 1          | M509-515-01        | Screw, Hex Flange Head Cap  |
| 5           | 6          | M250-530-01        | Seal, Banjo Connector       |
| 6           | 2          | M250-531-01        | Washer, Sealing             |
| 7           | 1          | M505-527-01        | Manifold, Fuel              |
| 8           | 1          | M507-592-03        | Tube, Fuel Drain            |
| 9           | 1          | M507-594-01        | Valve, Check                |
|             |            | M509-589-01        | Overflow valve used with #8 |



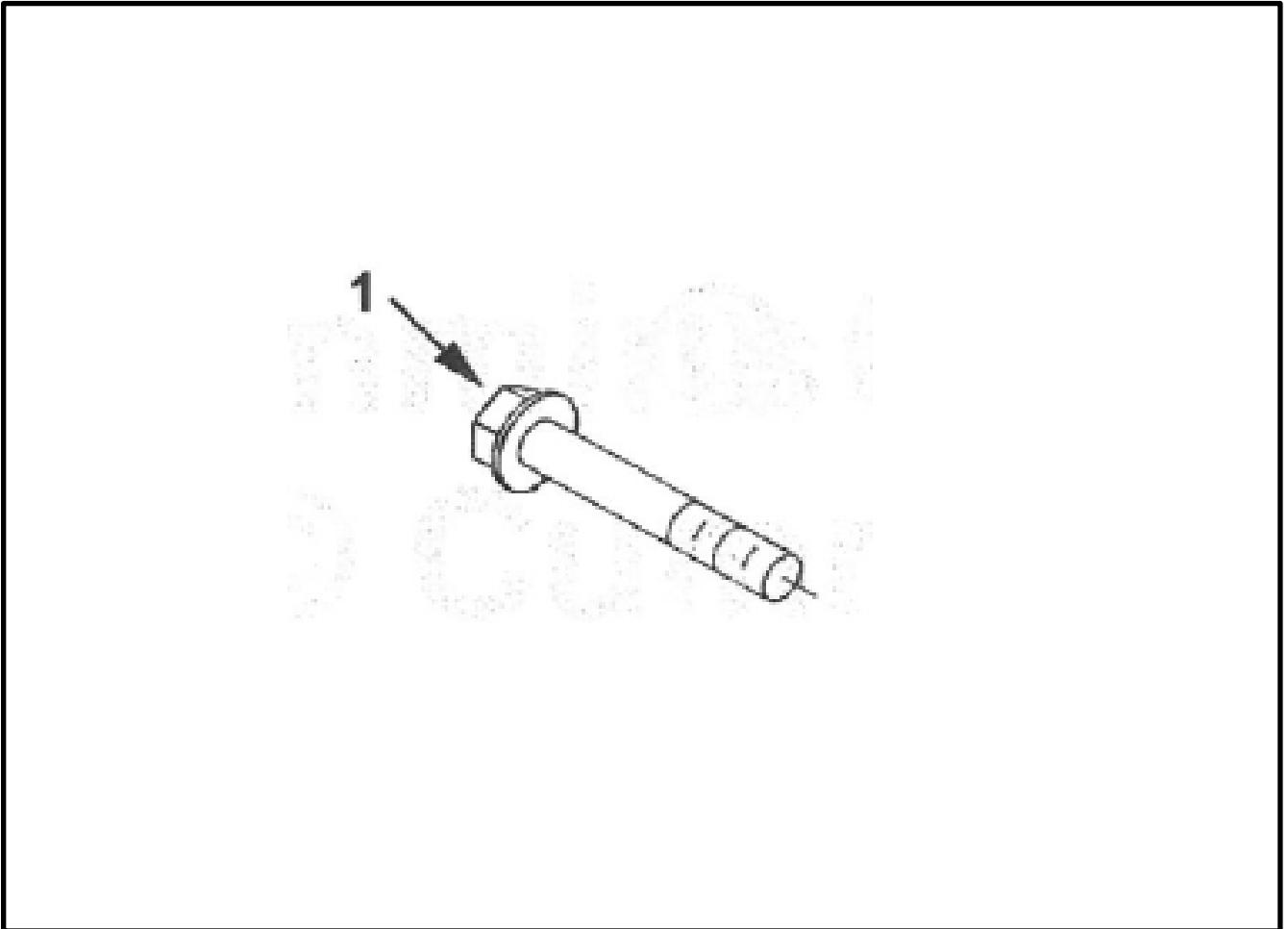
| <u>Item</u> | <u>Qty</u> | <u>Part Number</u> | <u>Description</u>         |
|-------------|------------|--------------------|----------------------------|
| 1           | 1          | M250-517-01        | Screw, Hex Flange Head Cap |
| 2           | 1          | M250-514-01        | Screw, Hex Flange Head Cap |
| 3           | 1          | M250-519-01        | Bracket, Solenoid          |



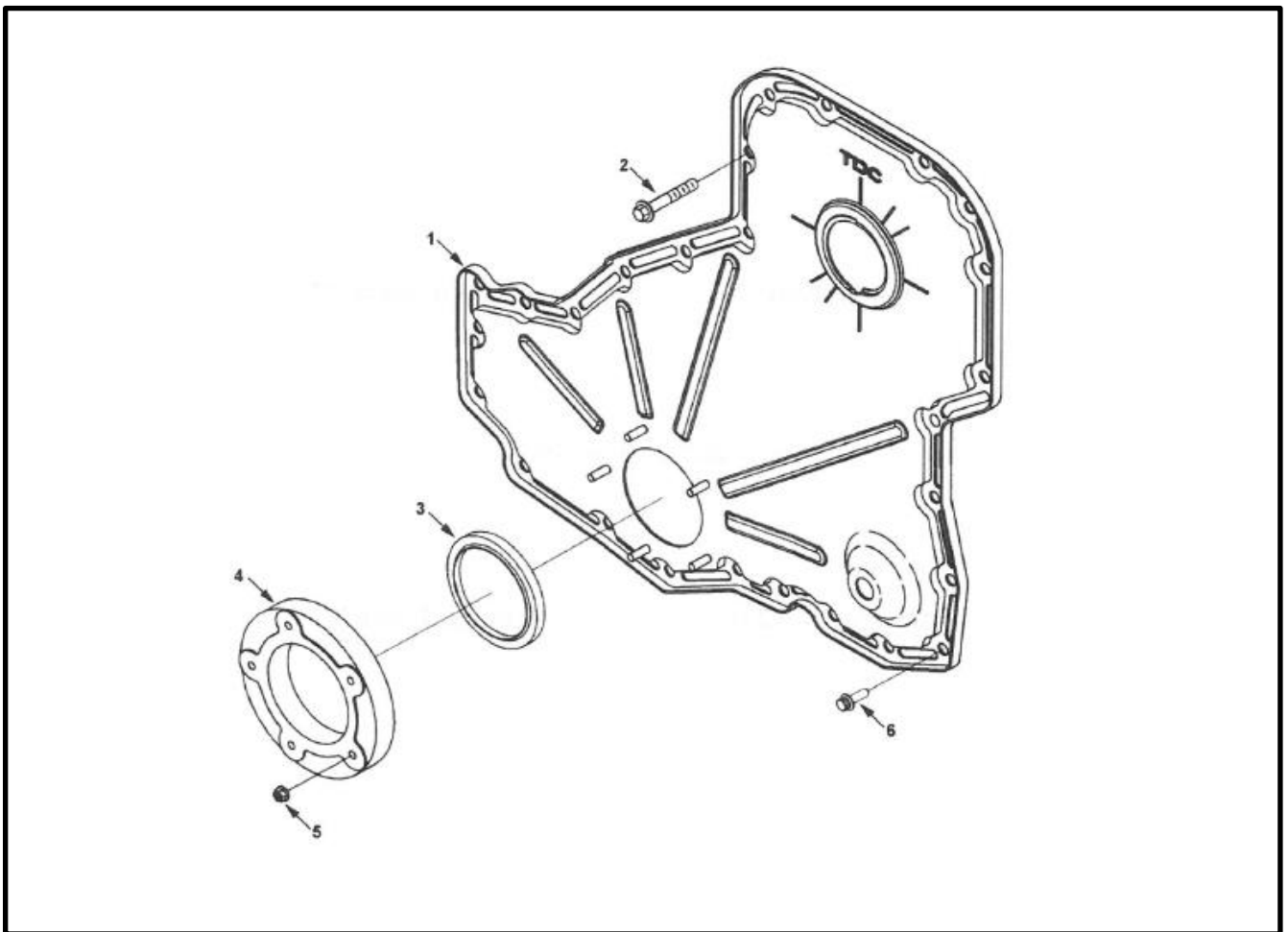
| <u>Item</u> | <u>Qty</u> | <u>Part Number</u> | <u>Description</u>  |
|-------------|------------|--------------------|---------------------|
|             | 1          | M321-501-323       | Flywheel            |
| 1           | 1          | M321-501-324       | Gear, Flywheel Ring |
| 2           | 1          | M321-501-325       | Flywheel            |



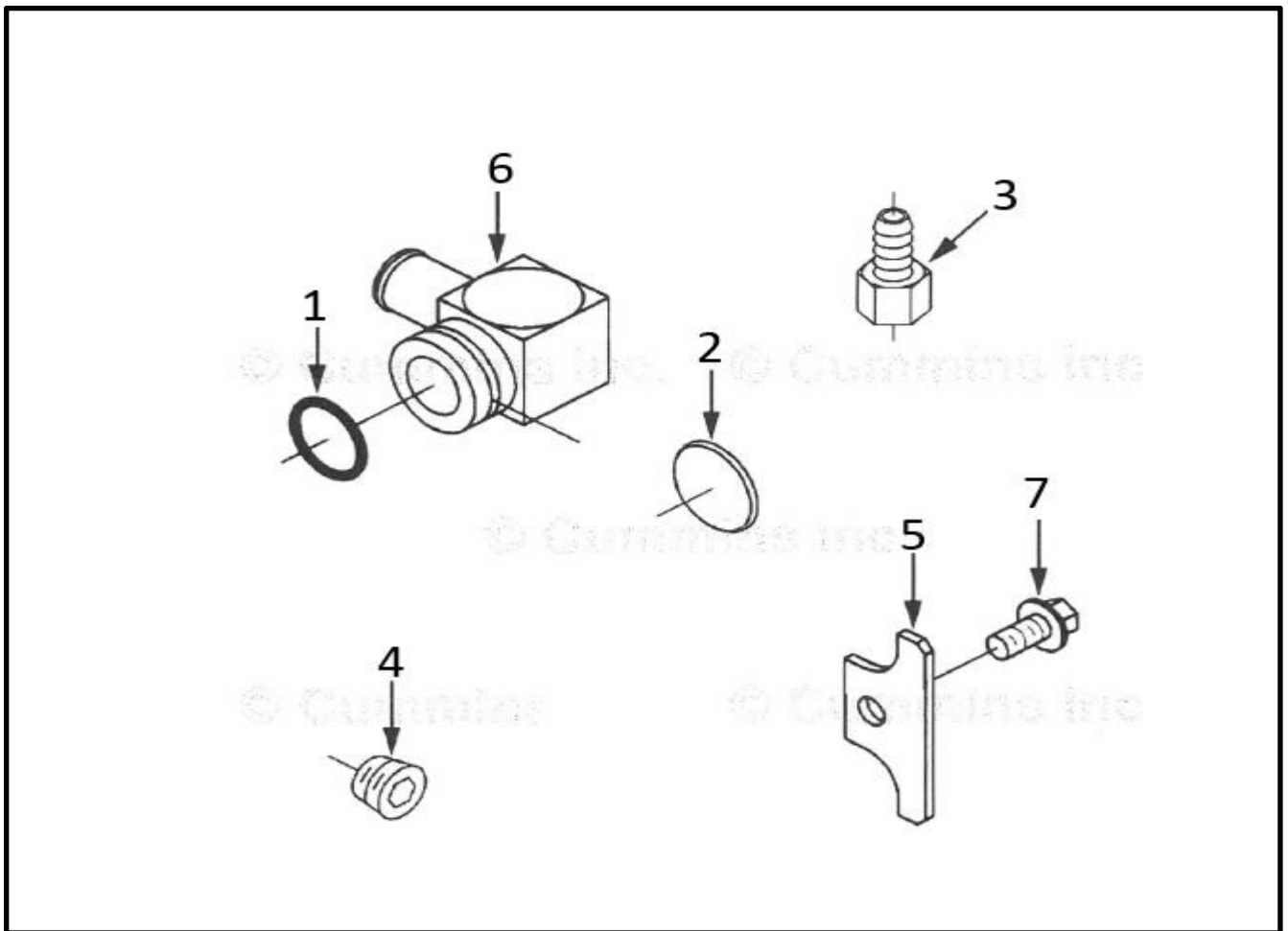
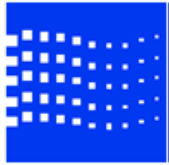
| <u>Item</u> | <u>Qty</u> | <u>Part Number</u> | <u>Description</u>        |
|-------------|------------|--------------------|---------------------------|
| 1           | 8          | M509-576-01        | Screw, Captive Washer Cap |



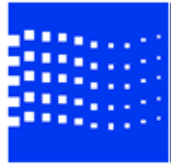
| <u>Item</u> | <u>Qty</u> | <u>Part Number</u> | <u>Description</u>        |
|-------------|------------|--------------------|---------------------------|
| 1           | 2          | M510-548-01        | Screw, Studded Flange Cap |



| <u>Item</u> | <u>Qty</u> | <u>Part Number</u> | <u>Description</u>         |
|-------------|------------|--------------------|----------------------------|
| 1           | 1          | M510-549-01        | Cover, Gear                |
| 2           | 11         | M510-550-01        | Screw, Hex Flange Head Cap |
| 3           | 1          | M510-551-01        | Seal, Oil                  |
| 4           | 1          | M321-501-121       | Carrier, Seal              |
| 5           | 5          | M321-501-122       | Nut, Lock                  |
| 6           | 13         | M510-552-01        | Screw, Twelve Point Cap    |



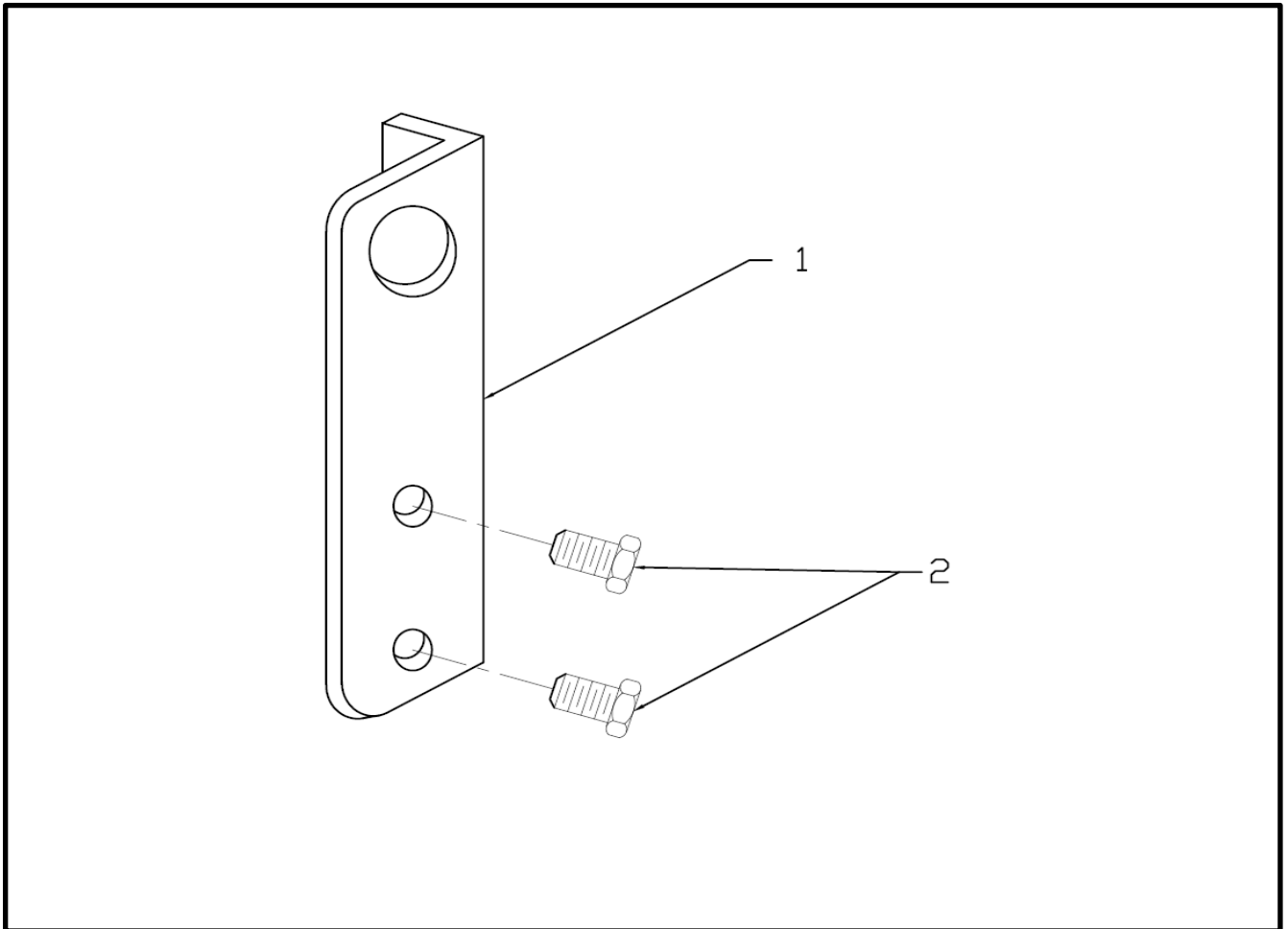
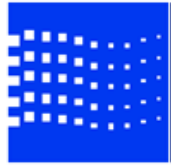
| <u>Item</u> | <u>Qty</u> | <u>Part Number</u> | <u>Description</u>         |
|-------------|------------|--------------------|----------------------------|
| 1           | 1          | M321-501-123       | Seal, O-Ring               |
| 2           | 1          | M321-501-124       | Plug, Expansion            |
| 3           | 1          | M321-501-125       | Coupling, Plain Hose       |
| 4           | 1          | M321-501-126       | Plug, Pipe                 |
| 5           | 1          | M321-501-127       | Plate, Clamping            |
| 6           | 1          | M321-501-128       | Connection, Water Transfer |
| 7           | 1          | M250-532-04        | Screw, Hex Flange Head Cap |



---

| <u>Item</u> | <u>Qty</u> | <u>Part Number</u> | <u>Description</u>            |
|-------------|------------|--------------------|-------------------------------|
|             | 1          | M321-501-03        | Plug, Threaded, W/Seal        |
|             | 1          | M321-501-04        | Seal, O-Ring                  |
|             | 18         | M321-501-129       | Screw, Hex Flange Head Cap    |
|             | 1          | M250-291-01        | Gasket, Intake Manifold Cover |
|             | 1          | M250-290-01        | Cover, Intake Manifold        |

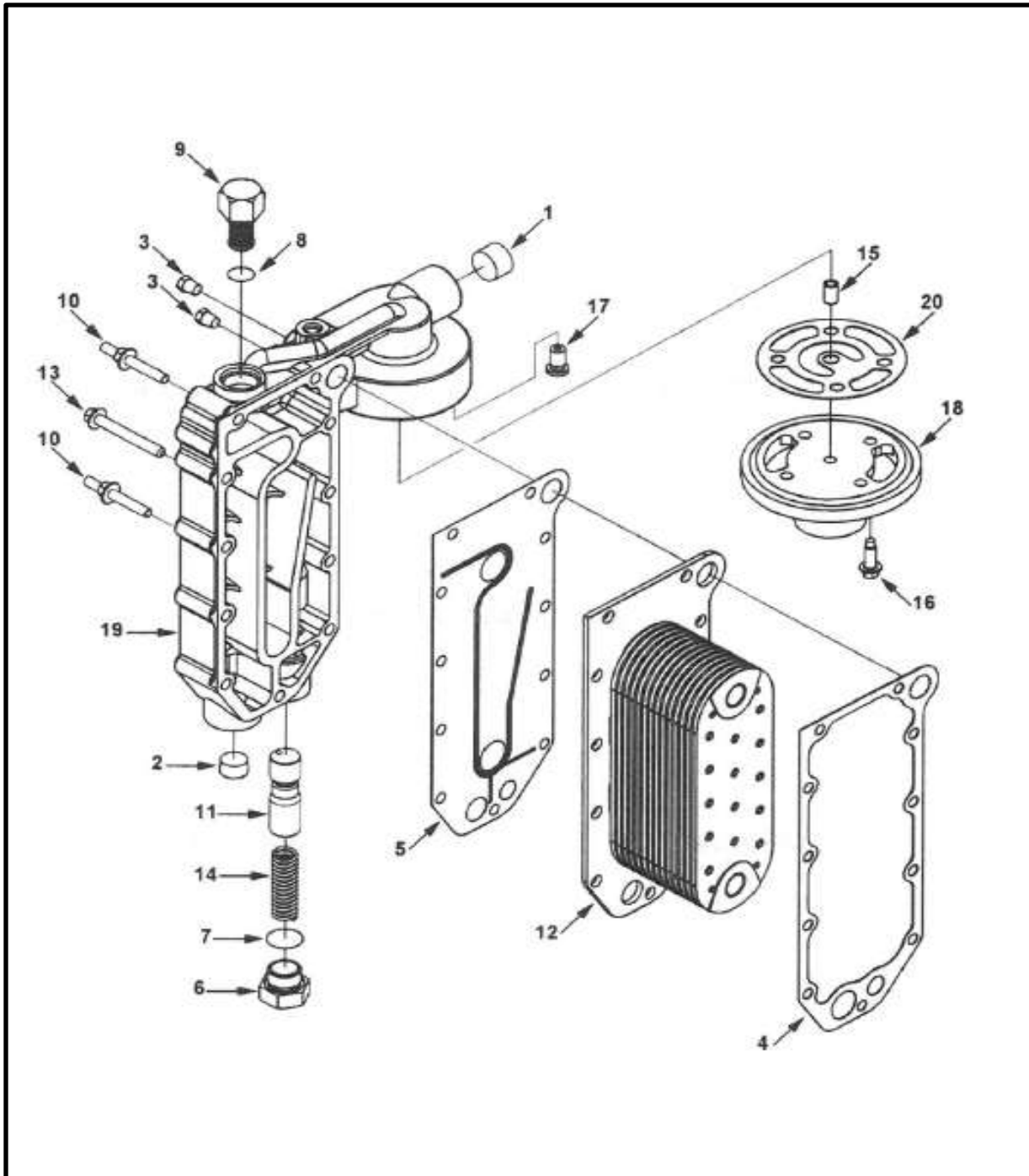




| <u>Item</u> | <u>Qty</u> | <u>Part Number</u> | <u>Description</u>         |
|-------------|------------|--------------------|----------------------------|
| 1           | 1          | M250-211-01        | Bracket, Lifting           |
| 2           | 2          | M321-501-50        | Screw, Hex Flange Head Cap |



## ENGINE OIL COOLER



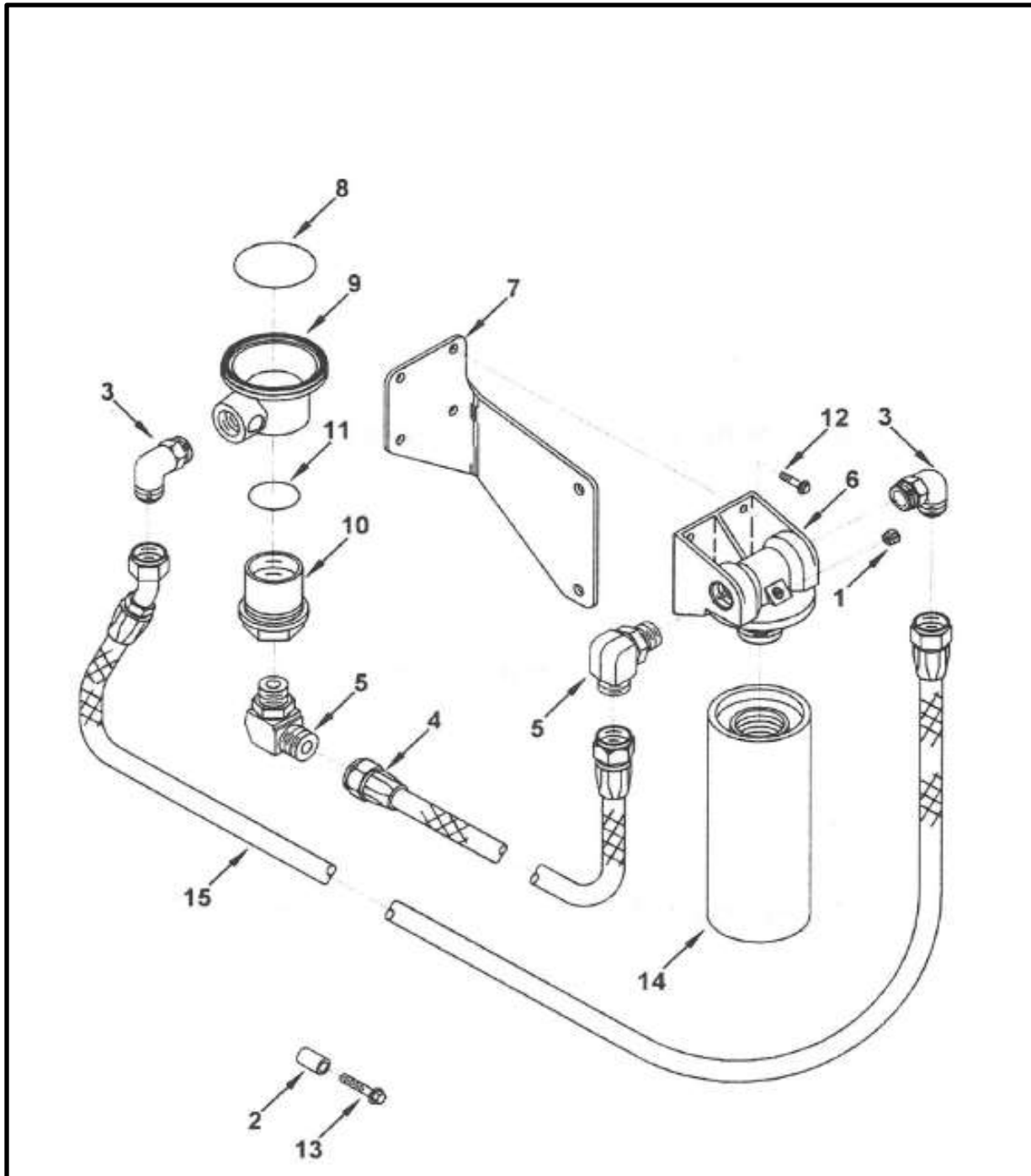


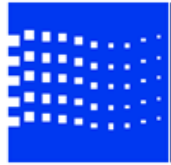
---

| <u>Item</u> | <u>Qty</u> | <u>Part Number</u> | <u>Description</u>            |
|-------------|------------|--------------------|-------------------------------|
| 1           | 1          | M321-501-130       | Plug, Pipe                    |
| 2           | 1          | M321-501-126       | Plug, Pipe                    |
| 3           | 2          | M321-501-131       | Plug, Pipe                    |
| 4           | 1          | M509-580-01        | Gasket, Oil Cooler Core       |
| 5           | 1          | M509-581-01        | Gasket, Lube Oil Cooler Cover |
|             | 1          | M321-501-132       | Plug, Threaded                |
| 6           | 1          | M321-501-133       | Plug, Threaded                |
| 7           | 1          | M321-501-134       | Seal, O-Ring                  |
|             | 1          | M321-501-135       | Valve, Bypass                 |
| 8           | 1          | M321-501-136       | Seal, O-Ring                  |
| 9           | 1          | M321-501-137       | Valve, Bypass                 |
| 10          | 2          | M321-501-138       | Screw, Studded Flange Cap     |
| 11          | 1          | M321-501-139       | Plunger, PRS Regulator        |
| 12          | 1          | M509-579-01        | Core, Cooler                  |
| 13          | 9          | M321-501-140       | Screw, Hex Flange Head Cap    |
| 14          | 1          | M321-501-141       | Spring, Compression           |
|             | 1          | M321-501-142       | Head, Lube Oil Filter         |
| 15          | 1          | M321-501-143       | Dowel, Ring                   |
| 16          | 4          | M321-501-144       | Screw, Hex Flange Head Cap    |
| 17          | 1          | M508-551-18        | Valve, Pressure Relief        |
| 18          | 1          | M321-501-145       | Head, Lube Oil Filter         |
| 19          | 1          | M321-501-146       | Cover, Lube Oil Cooler        |
| 20          | 1          | M321-501-147       | Gasket, Connection            |



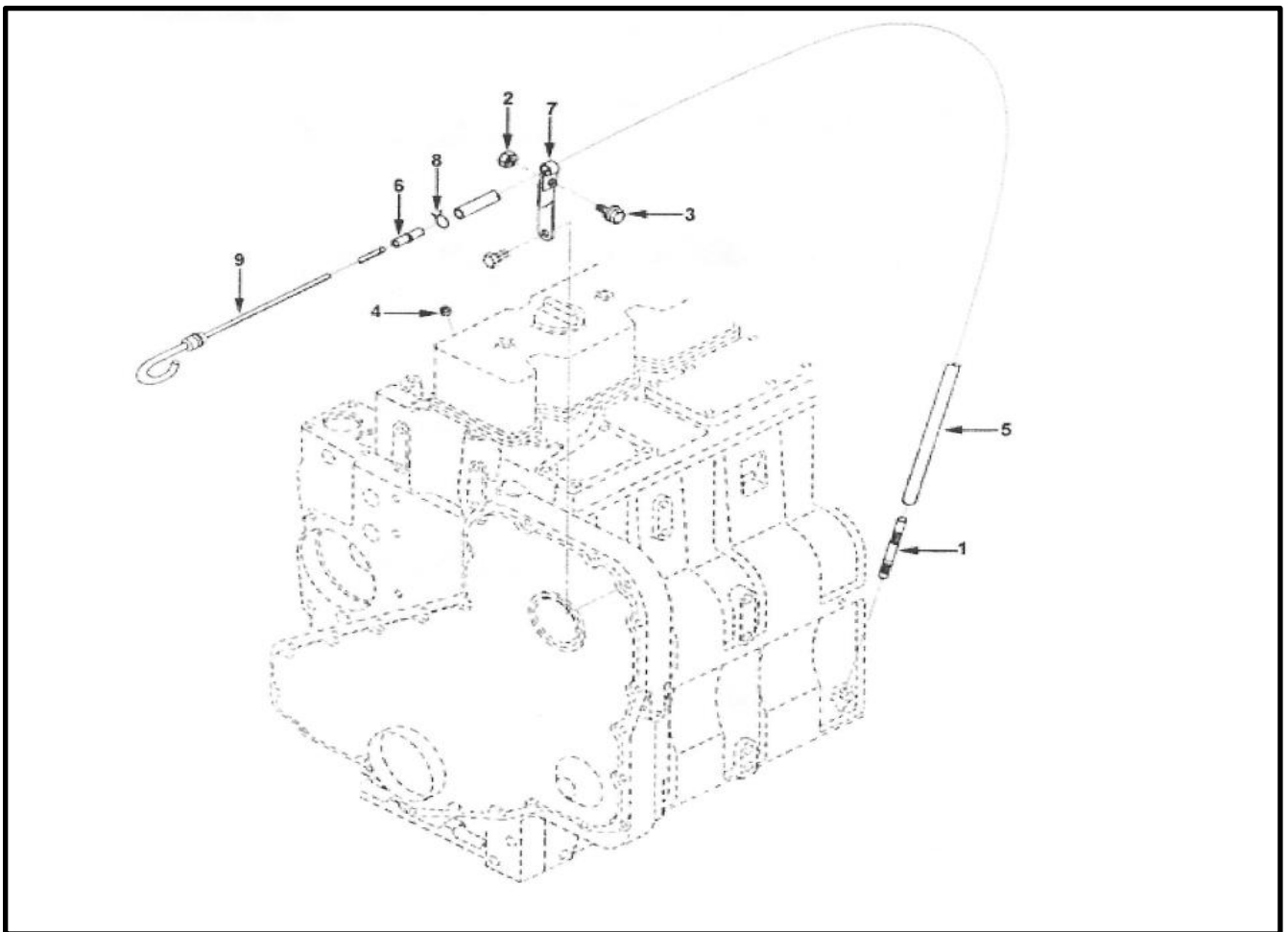
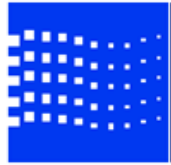
## FULL FLOW OIL FILTER



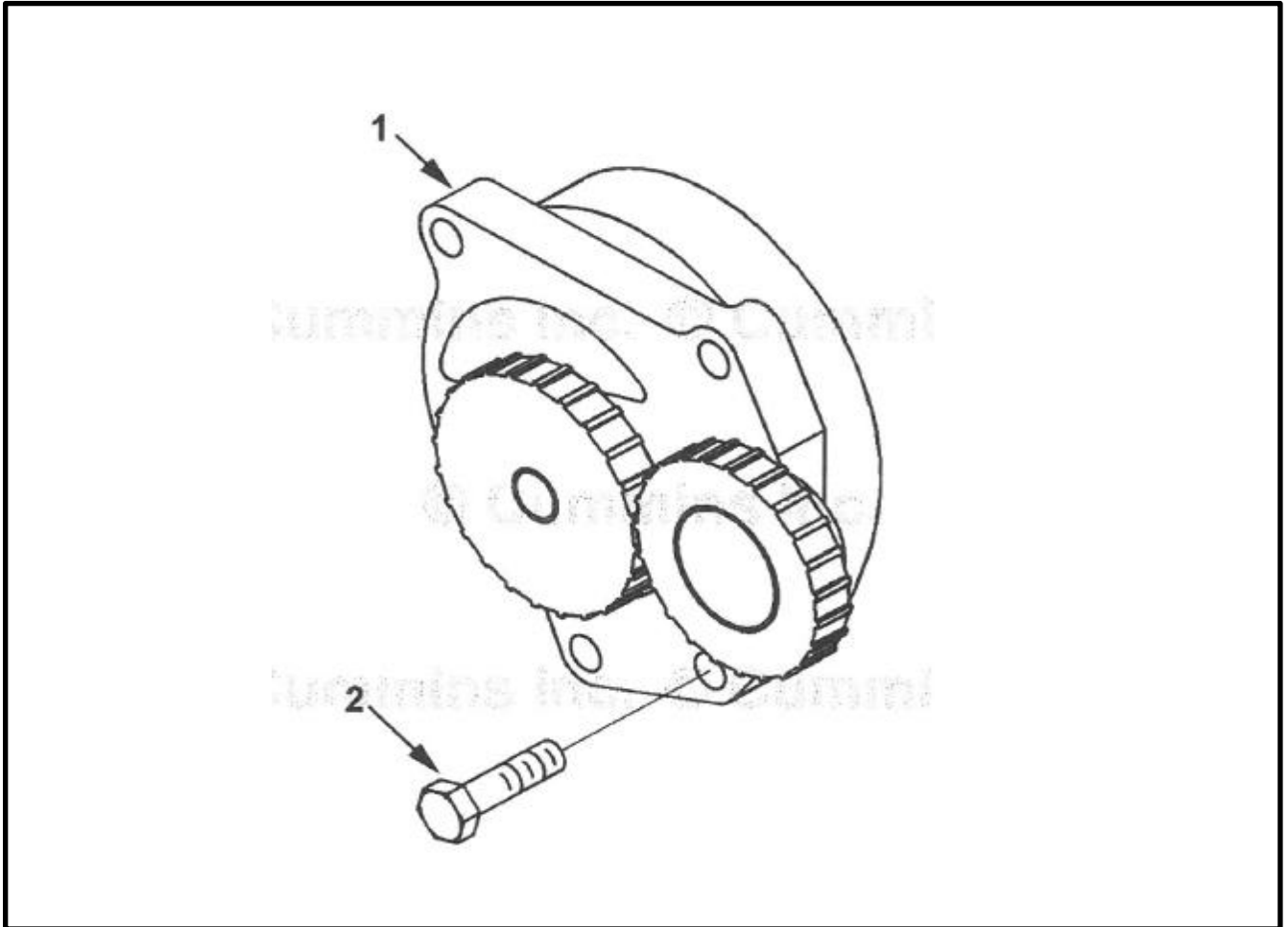


---

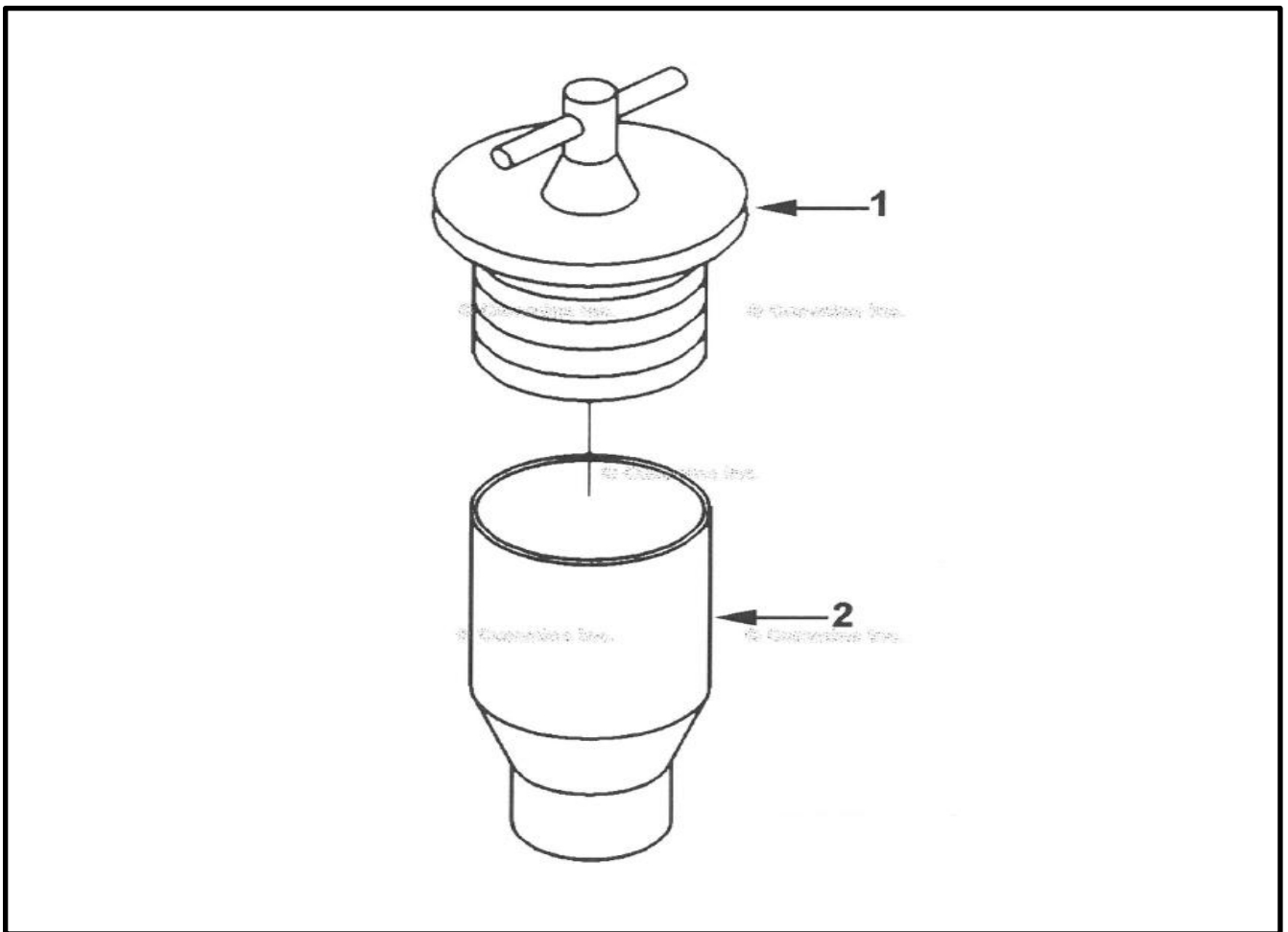
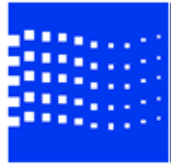
| <u>Item</u> | <u>Qty</u> | <u>Part Number</u> | <u>Description</u>         |
|-------------|------------|--------------------|----------------------------|
| 1           | 1          | M250-505-02        | Plug, Pipe                 |
| 2           | 1          | M250-505-03        | Spacer, Mounting           |
| 3           | 2          | M250-505-04        | Elbow, Male Union          |
| 4           | 1          | M250-505-05        | Hose, Flexible             |
| 5           | 2          | M250-505-06        | Elbow, Male Adapter        |
| 6           | 1          | M250-505-07        | Head, Lube Oil Filter      |
| 7           | 1          | M250-505-08        | Bracket, Filter            |
| 8           | 1          | M250-505-09        | Seal, O-Ring               |
| 9           | 1          | M250-505-10        | Cover, Filter Head         |
| 10          | 1          | M250-505-11        | Adapter, Filter Head       |
| 11          | 1          | M250-505-12        | Seal, O-Ring               |
| 12          | 4          | M250-505-13        | Screw, Hex Flange Head Cap |
| 13          | 1          | M250-505-14        | Screw, Hex Flange Head Cap |
| 14          | 1          | M250-574-01        | Element, Lube Oil Filter   |
| 15          | 1          | M250-505-15        | Hose, Flexible             |



| <u>Item</u> | <u>Qty</u> | <u>Part Number</u> | <u>Description</u>         |
|-------------|------------|--------------------|----------------------------|
|             | 1          | M250-532-01        | Kit, Extended Dipstick     |
| 1           | 1          | M250-532-02        | Tube, Oil Gauge            |
| 2           | 1          | M250-532-03        | Nut, Regular Hexagon       |
| 3           | 1          | M250-532-04        | Screw, Hex Flange Head Cap |
| 4           | 1          | M250-532-05        | Plug, Expansion            |
| 5           | 1          | M250-532-06        | Tube, Oil Gauge            |
| 6           | 1          | M250-532-07        | End, Oil Gauge Tube        |
| 7           | 1          | M250-532-08        | Brace, Tube                |
| 8           | 2          | M250-532-09        | Clamp, Spring Hose         |
| 9           | 1          | M250-532-10        | Dipstick                   |



| <u>Item</u> | <u>Qty</u> | <u>Part Number</u> | <u>Description</u>      |
|-------------|------------|--------------------|-------------------------|
| 1           | 1          | M321-501-148       | Pump, Lubricating Oil   |
| 2           | 4          | M321-501-149       | Screw, Hexagon Head Cap |

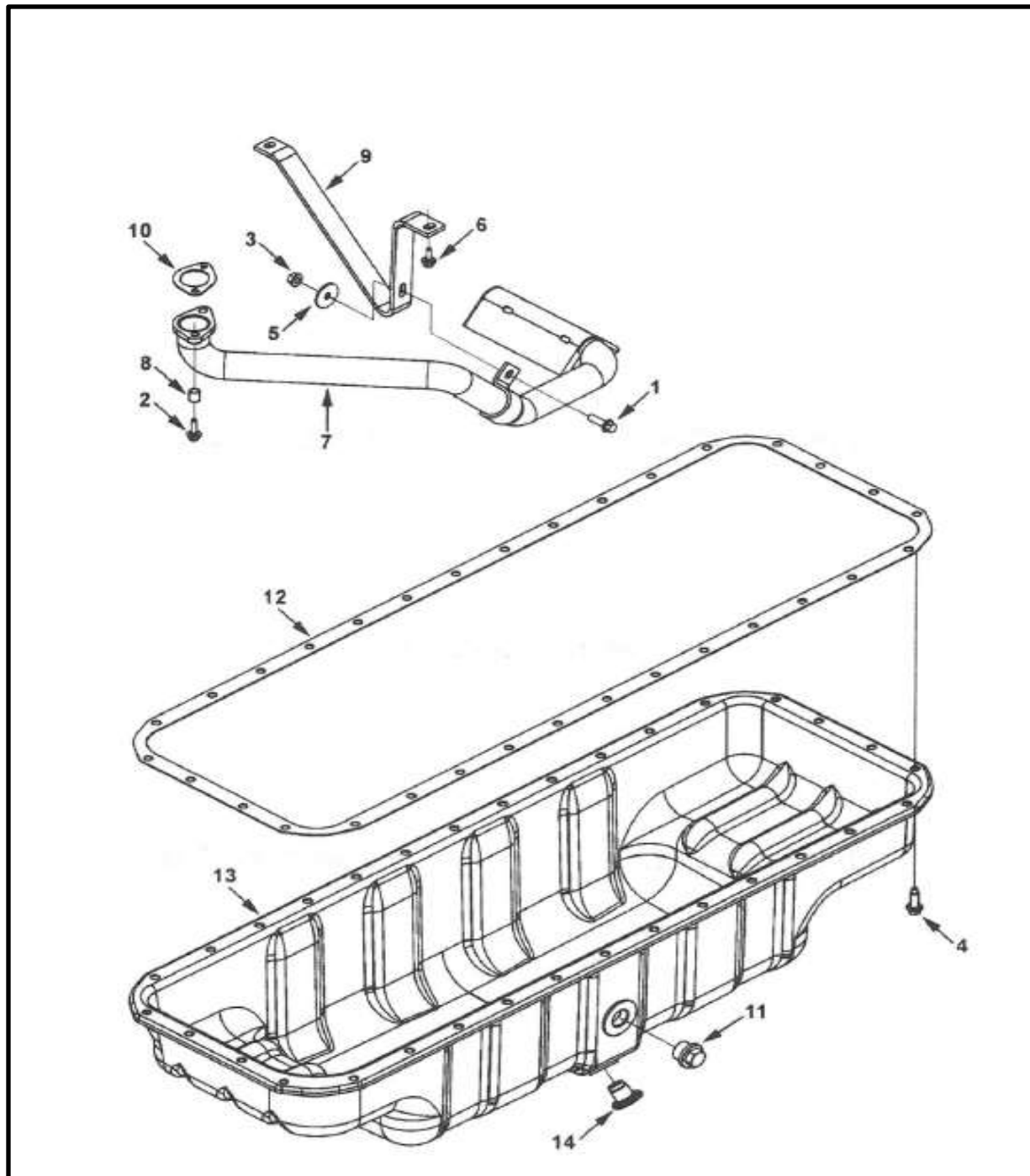


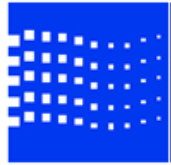
| <u>Item</u> | <u>Qty</u> | <u>Part Number</u> | <u>Description</u> |
|-------------|------------|--------------------|--------------------|
| 1           | 1          | M250-533-02        | Cap, Filler        |
| 2           | 1          | M321-501-150       | Tube, Oil Filler   |





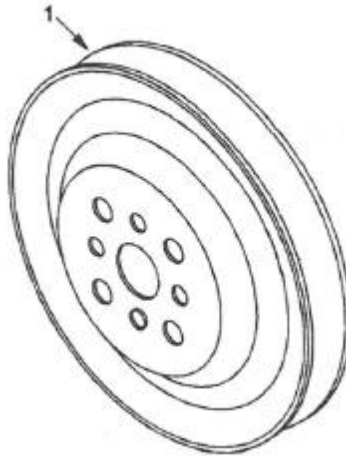
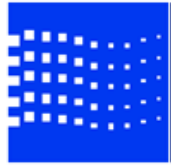
**OIL PAN**



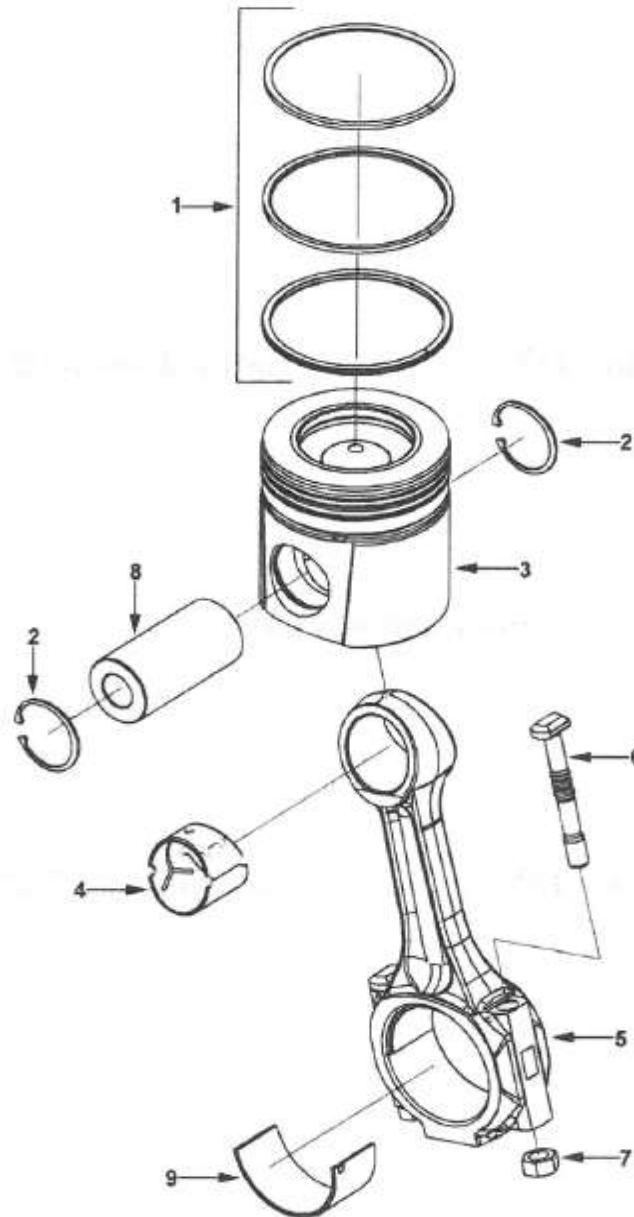


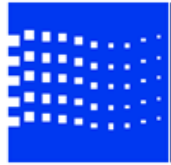
---

| <u>Item</u> | <u>Qty</u> | <u>Part Number</u> | <u>Description</u>                       |
|-------------|------------|--------------------|--|
| 1           | 2          | M321-501-151       | Screw, Hex Flange Head Cap               |
| 2           | 1          | M321-501-152       | Screw, Hex Flange Head Cap               |
| 3           | 1          | M321-501-153       | Nut, Hexagon Flange                      |
| 4           | 32         | M321-501-154       | Screw, Hex Flange Head Cap               |
| 5           | 1          | M321-501-155       | Washer, Plain                            |
| 6           | 2          | M509-538-01        | Screw, Hex Flange Head Cap               |
| 7           | 1          | M509-507-01        | Connection, Oil Suction                  |
| 8           | 2          | M321-501-156       | Spacer, Mounting                         |
| 9           | 1          | M321-501-157       | Brace, Tube                              |
| 10          | 1          | M509-506-01        | Gasket, Oil Suction Connection           |
| 11          | 1          | M321-501-158       | Plug, Threaded                           |
| 12          | 1          | M509-508-01        | Gasket, Oil Pan                          |
| 13          | 1          | M509-509-01        | Pan, Oil                                 |
| 14          | 1          | M321-501-159       | Plug, Threaded                           |
| 15          | 1          | (M321-501-160)     | Oil Drain Plug / Right Side ( not shown) |



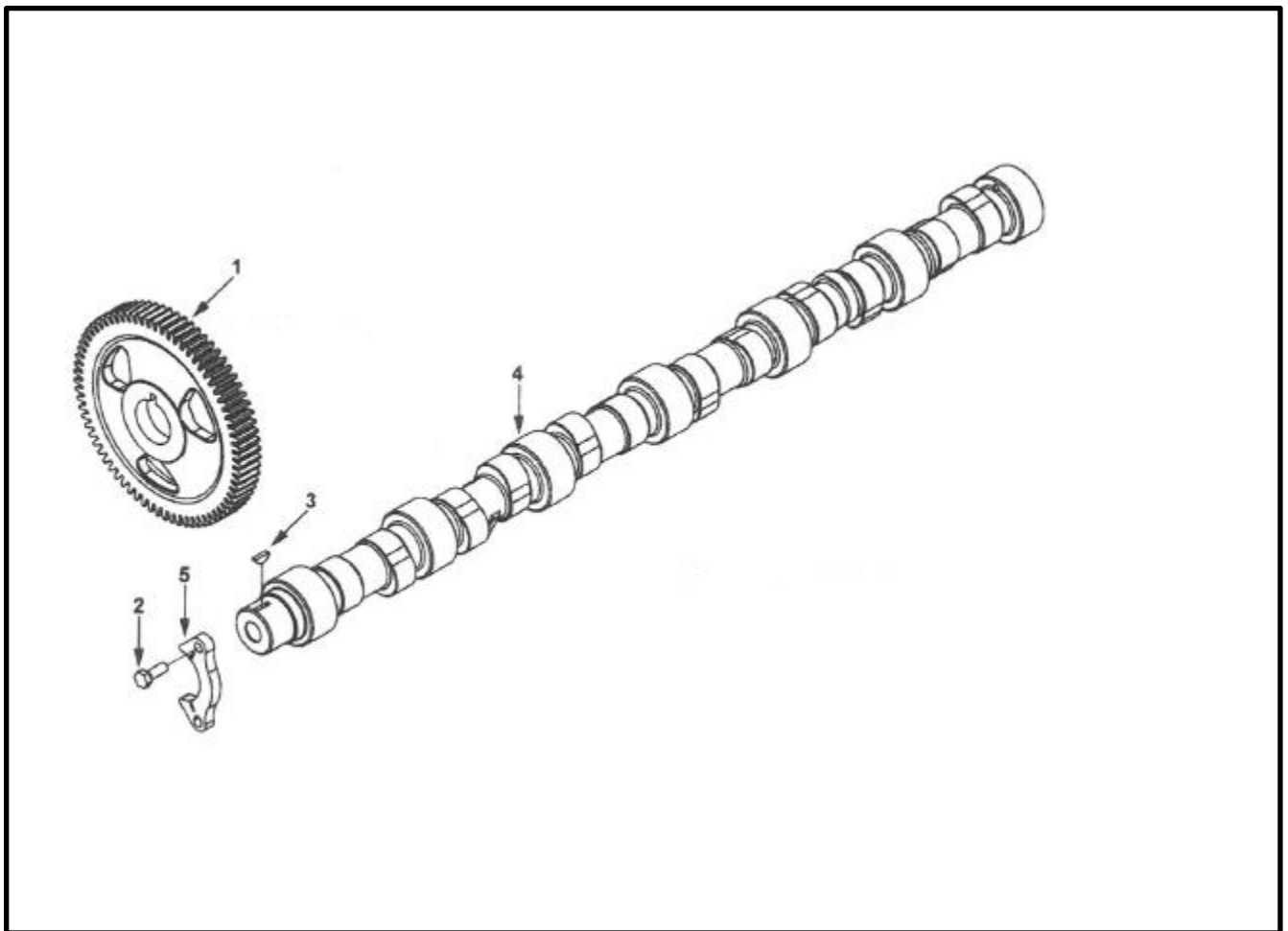
| <u>Item</u> | <u>Qty</u> | <u>Part Number</u> | <u>Description</u>      |
|-------------|------------|--------------------|-------------------------|
| 1           | 1          | M506-555-01        | Pulley, Accessory Drive |



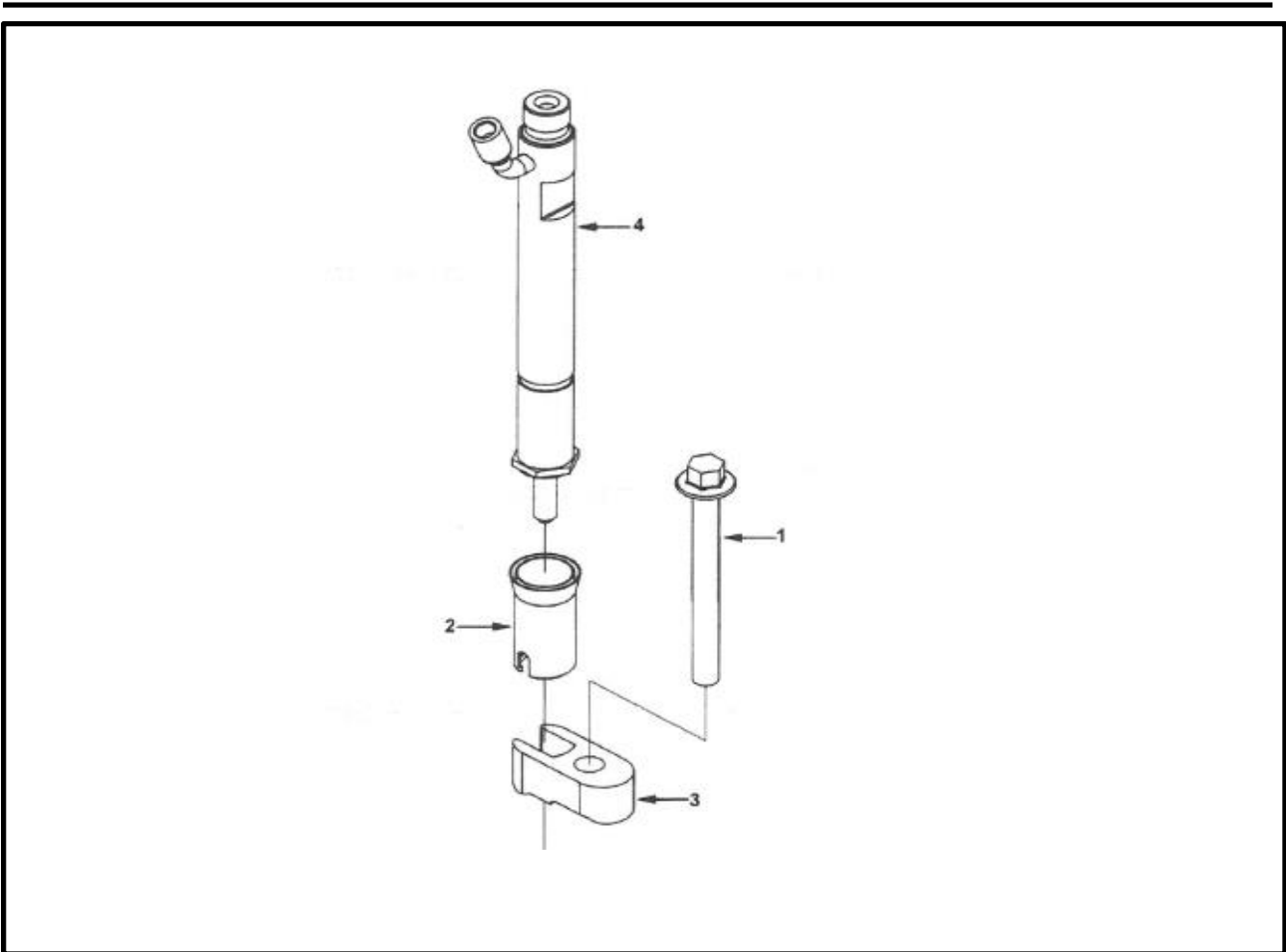


---

| <u>Item</u> | <u>Qty</u> | <u>Part Number</u> | <u>Description</u>                                       |
|-------------|------------|--------------------|--|
|             | 6          | M321-501-161       | Kit, Engine Piston                                       |
| 1           | 1          | M321-501-162       | Set, Piston Ring   |
|             | 1          | (M321-501-163)     | Ring, Compression Piston (sold in higher level assy/kit) |
|             | 1          | (M321-501-164)     | Ring, Oil Piston (sold in higher level assy/kit)         |
|             | 1          | M321-501-165       | Ring, Compression Piston (sold in higher level assy/kit) |
| 2           | 2          | M321-501-166       | Ring, Retaining  |
| 3           | 1          | (M321-501-167)     | Piston, Engine (sold in higher level assy/kit)           |
|             | 6          | M321-501-168       | Rod, Engine Connecting                                   |
| 4           | 1          | M321-501-169       | Bushing  |
| 5           | 1          | (M321-501-170)     | Rod, Engine Connecting                                   |
| 6           | 2          | M321-501-171       | Bolt, Connecting Rod                                     |
| 7           | 2          | M321-501-172       | Nut, Connecting Rod                                      |
| 8           | 6          | M321-501-173       | Pin, Piston  |
| 9           | 12         | M321-501-174       | Bearing, Connecting Rod (standard)                       |



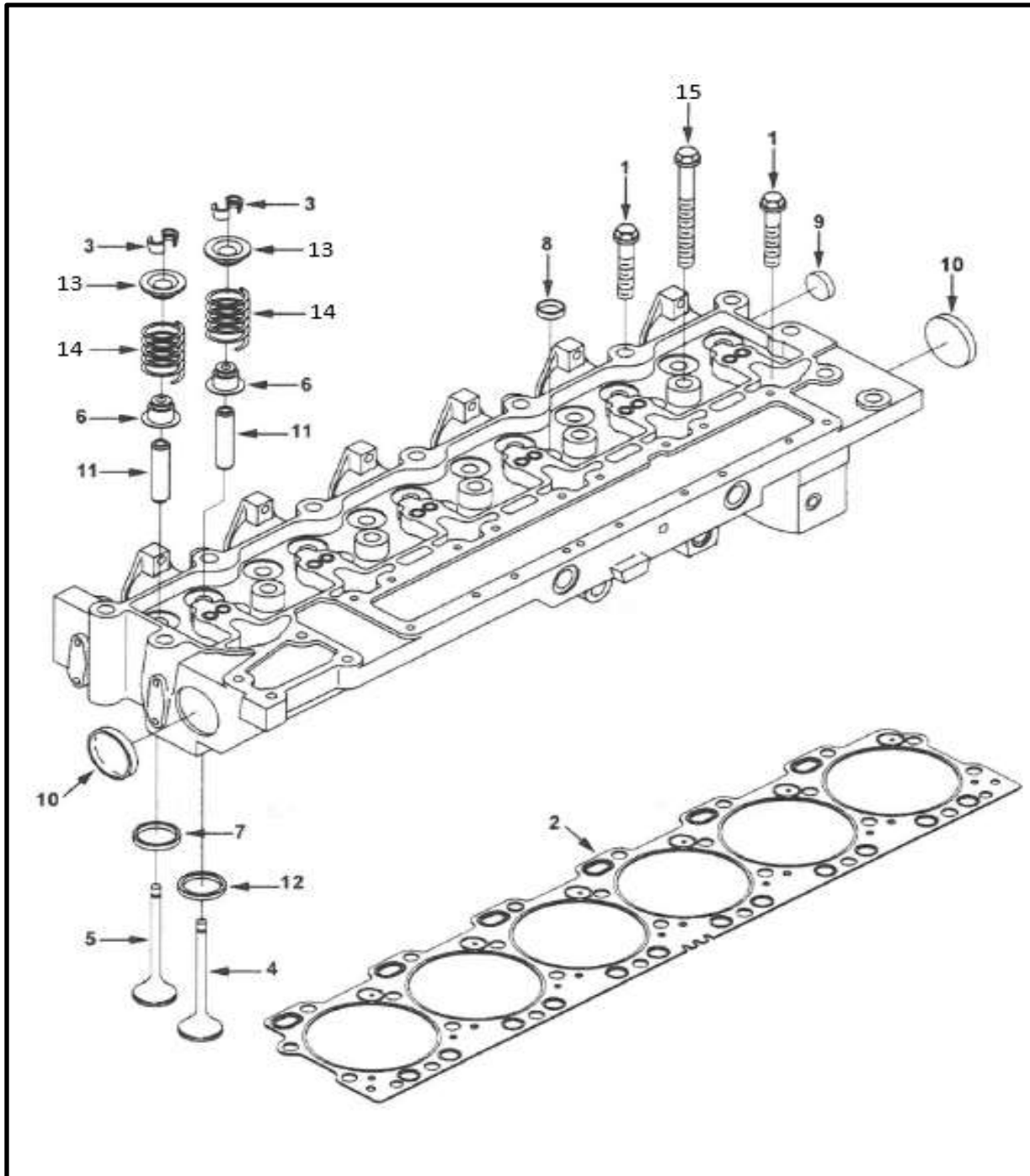
| <u>Item</u> | <u>Qty</u> | <u>Part Number</u> | <u>Description</u>       |
|-------------|------------|--------------------|--------------------------|
| 1           | 1          | M321-501-175       | Gear, Camshaft           |
| 2           | 2          | M321-501-176       | Screw, Hexagon Head Cap  |
| 3           | 1          | M321-501-177       | Key, Plain Woodruff      |
| 4           | 1          | M321-501-178       | Camshaft                 |
| 5           | 1          | M321-501-179       | Support, Camshaft Thrust |



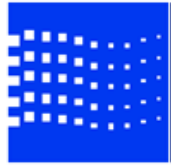
| <u>Item</u> | <u>Qty</u> | <u>Part Number</u> | <u>Description</u>         |
|-------------|------------|--------------------|----------------------------|
| 1           | 6          | M509-516-01        | Screw, Hex Flange Head Cap |
| 2           | 6          | M508-515-01        | Seal, Injector             |
| 3           | 6          | M509-517-01        | Clamp, Injector            |
| 4           | 6          | M250-586-01        | Injector                   |



## CYLINDER HEAD

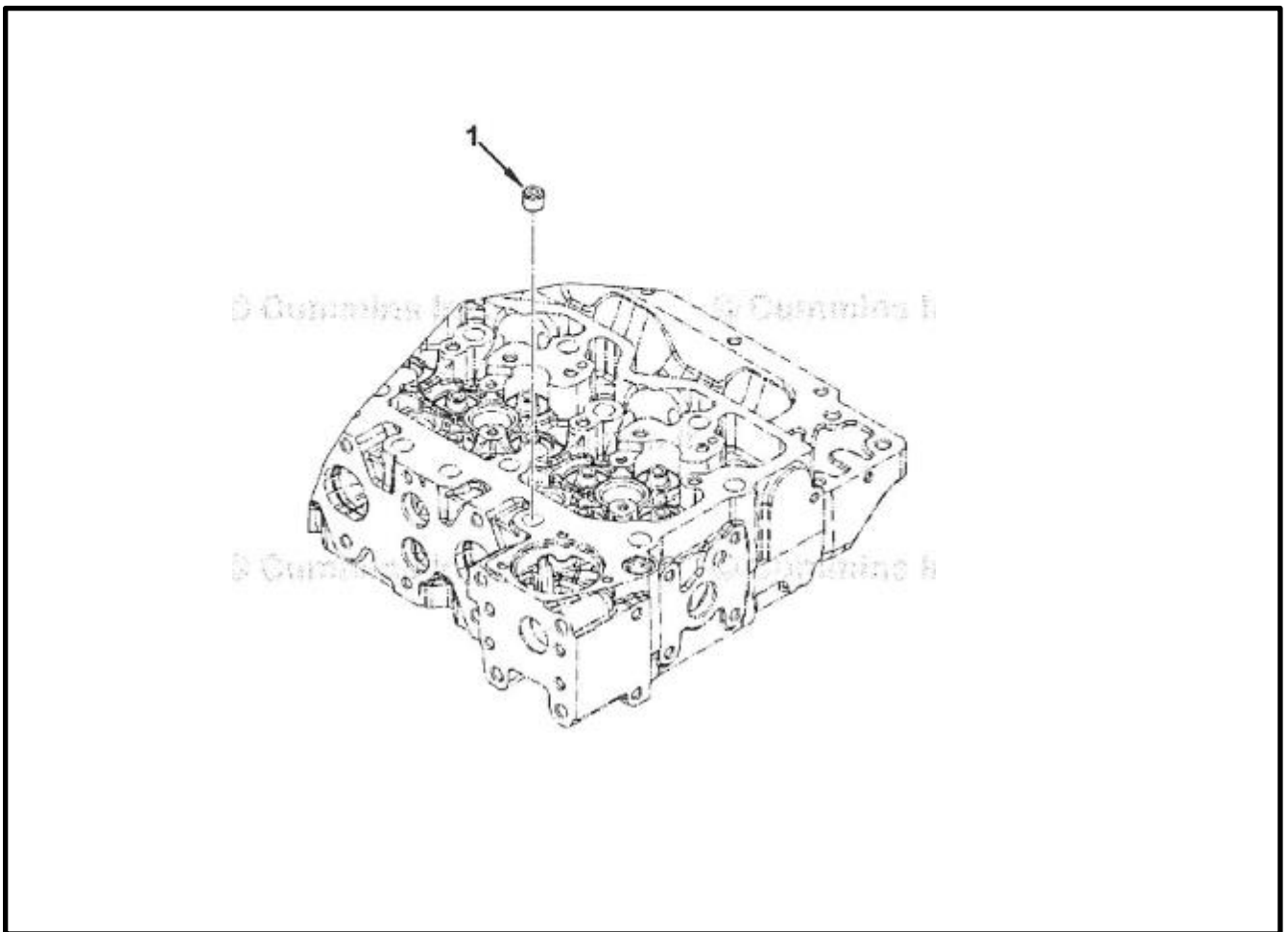
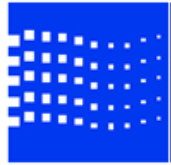




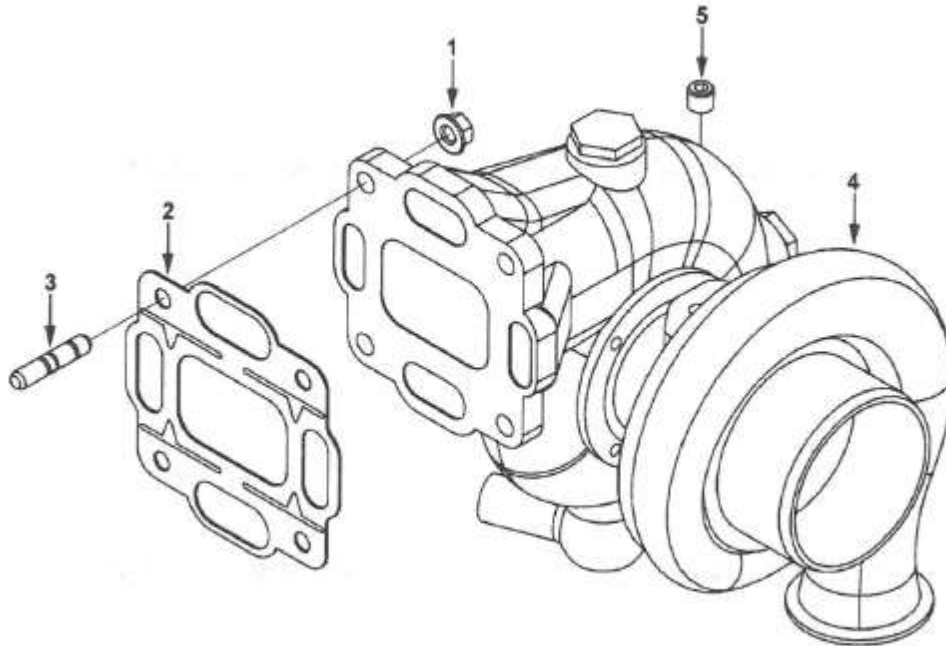
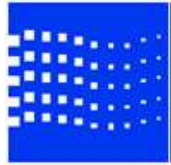


---

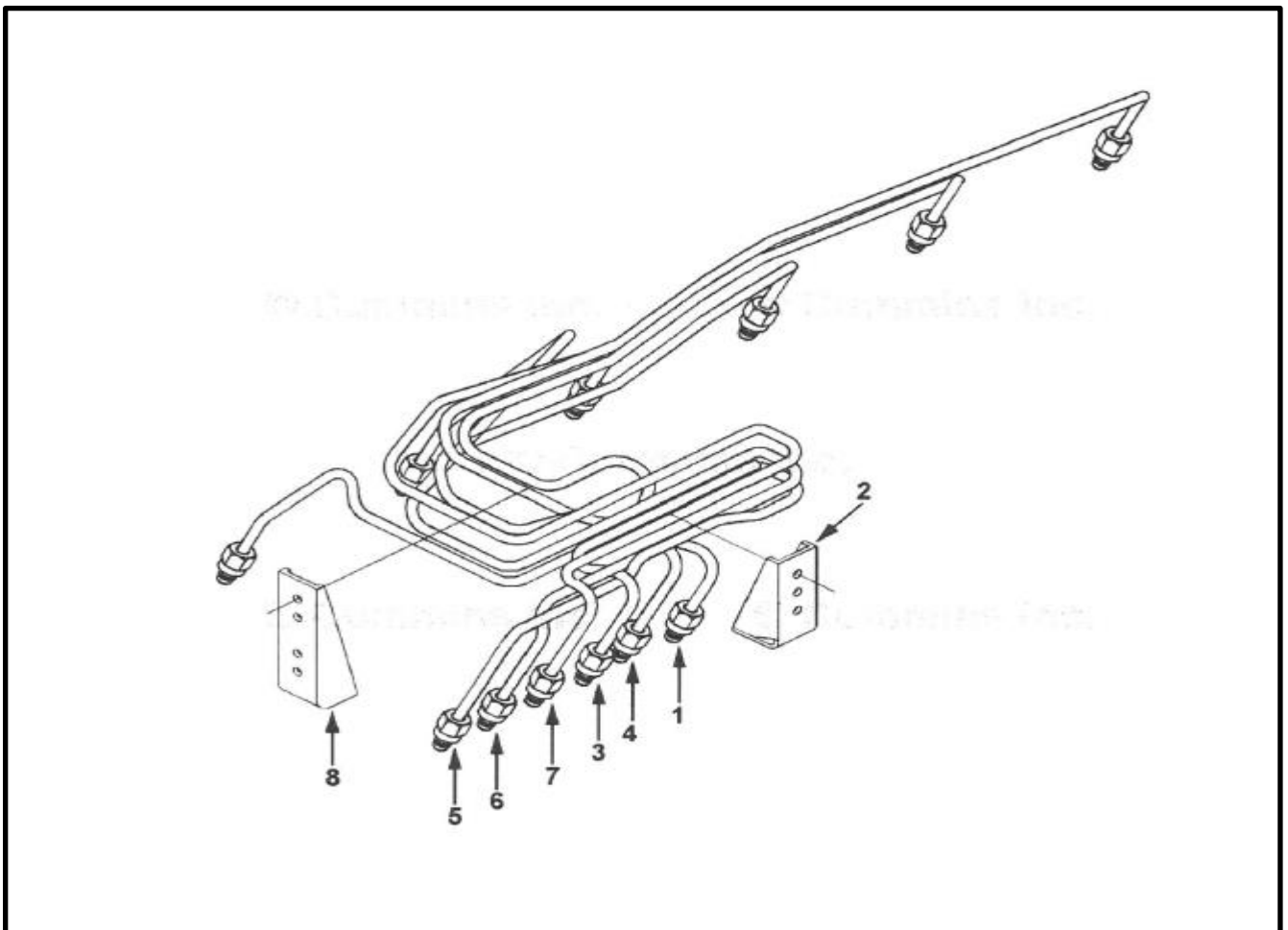
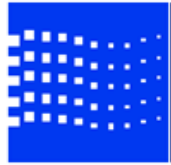
| <u>Item</u> | <u>Qty</u> | <u>Part Number</u> | <u>Description</u>                           |
|-------------|------------|--------------------|--|
|             |            | M329-106-01        | Cylinder Head, Modified (complete head assy) |
| 1           | 6          | M250-547-01        | Screw, Hex Flange Head Cap                   |
| 2           | 1          | M250-506-01        | Gasket, Cylinder Head                        |
| 3           | 24         | M321-501-180       | Collet, Valve                                |
| 4           | 6          | (M321-501-181)     | Valve, Exhaust                               |
| 5           | 6          | (M321-501-182)     | Valve, Intake                                |
| 6           | 12         | M321-501-183       | Seal, Valve Stem                             |
| 7           | 6          | (M321-501-184)     | Insert, Valve (standard)                     |
| 8           | 5          | (M321-501-185)     | Plug, Expansion                              |
| 9           | 1          | M321-501-186       | Plug, Expansion                              |
| 10          | 2          | M321-501-187       | Plug, Expansion                              |
| 11          | 12         | M321-501-188       | Guid, Valve Stem                             |
| 12          | 6          | M321-501-189       | Insert, Valve (exhaust)                      |
| 13          | 12         | M321-501-190       | Retainer, Valve Spring                       |
| 14          | 12         | M321-501-191       | Spring, Valve (intake)                       |
| 15          | 20         | M250-503-01        | Screw, Hex Flange Head Cap                   |



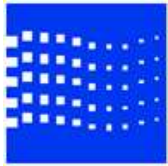
| <u>Item</u> | <u>Qty</u> | <u>Part Number</u> | <u>Description</u> |
|-------------|------------|--------------------|--------------------|
| 1           | 1          | M321-501-192       | Plug, Pipe         |



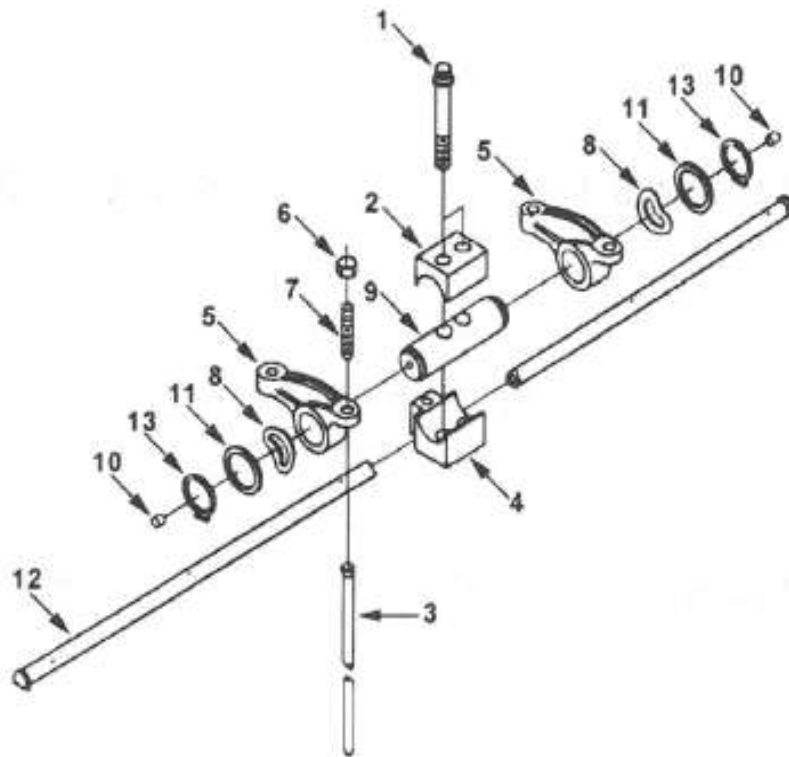
| <u>Item</u> | <u>Qty</u> | <u>Part Number</u> | <u>Description</u>               |
|-------------|------------|--------------------|----------------------------------|
| 1           | 4          | M600-109-01        | Nut, Hexagon Flange              |
| 2           | 1          | M250-218-01        | Gasket, Turbocharger             |
| 3           | 4          | M90-371-14         | Stud                             |
| 4           | 1          | M329-101-31        | Turbocharger, Assembly, Modified |
| 5           | 2          | M321-501-91        | Plug, Pipe                       |



| <u>Item</u> | <u>Qty</u> | <u>Part Number</u> | <u>Description</u>                      |
|-------------|------------|--------------------|---|
|             | 1          | M510-513-01        | Tube, Injector Fuel Supply              |
| 1           | 1          | M510-555-01        | Tube, Injector Fuel Supply # 6 Cylinder |
| 2           | 1          | M321-501-221       | Brace Tube                              |
| 3           | 1          | M321-501-222       | Tube, Injector Fuel Supply # 4 Cylinder |
| 4           | 1          | M321-501-223       | Tube, Injector Fuel Supply # 5 Cylinder |
| 5           | 1          | M321-501-224       | Tube, Injector Fuel Supply # 1 Cylinder |
| 6           | 1          | M508-593-01        | Tube, Injector Fuel Supply # 2 Cylinder |
| 7           | 1          | M321-501-225       | Tube, Injector Fuel Supply # 3 Cylinder |
| 8           | 1          | M321-501-226       | Brace, Tube                             |



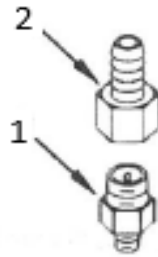
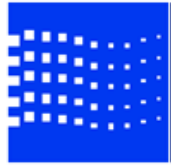
**ROCKER LEVER**



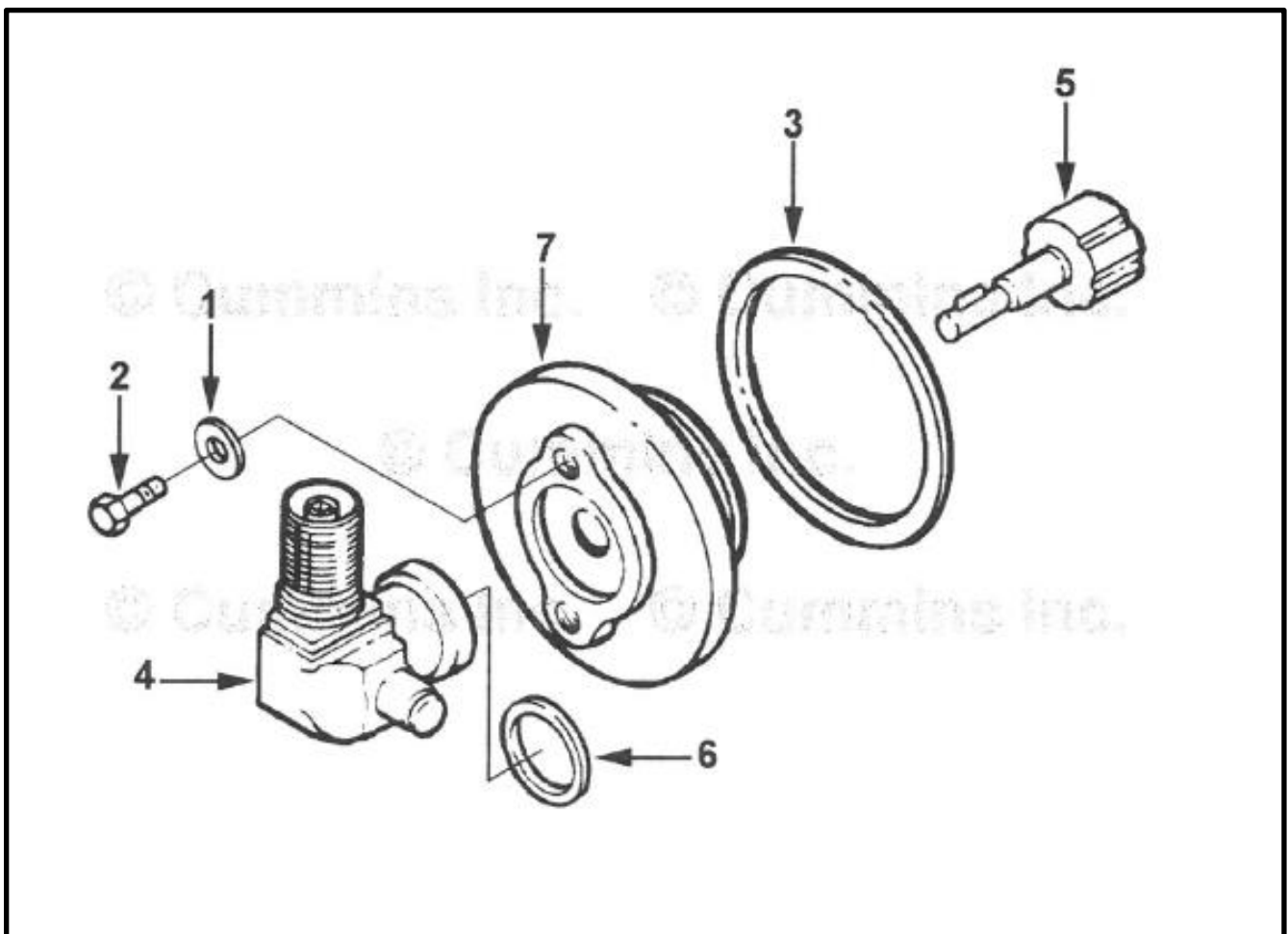
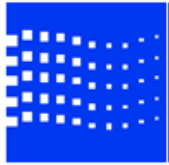


---

| <u>Item</u> | <u>Qty</u> | <u>Part Number</u> | <u>Description</u>            |
|-------------|------------|--------------------|-------------------------------|
| 1           | 12         | M321-501-228       | Screw, Twelve Point Cap       |
| 2           | 6          | M321-501-229       | Clamp, Retaining              |
| 3           | 12         | M321-501-230       | Rod, Push                     |
| 4           | 6          | M321-501-231       | Support, Rocker Lever         |
|             | 12         | M321-501-232       | Lever, Rocker                 |
| 5           | 1          | (M321-501-233)     | Lever, Rocker                 |
| 6           | 1          | M321-501-234       | Nut, Heavy Hexagon            |
| 7           | 1          | M321-501-235       | Screw, Rocker Lever Adjusting |
|             | 1          | (M321-501-236)     | Insert, Rocker Lever          |
| 8           | 12         | M321-501-237       | Washer, Spring                |
|             | 6          | M321-501-238       | Shaft, Rocker Lever           |
| 9           | 1          | (M321-501-239)     | Shaft, Rocker Lever           |
| 10          | 1          | M321-501-240       | Rivet                         |
| 11          | 12         | M321-501-241       | Washer, Plain                 |
| 12          | 1          | M321-501-242       | Manifold, Oil                 |
| 13          | 12         | M321-501-243       | Ring, Retaining               |

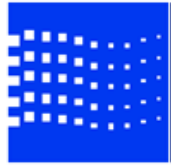


| <u>Item</u> | <u>Qty</u> | <u>Part Number</u> | <u>Description</u>   |
|-------------|------------|--------------------|----------------------|
|             | 1          | M321-501-245       | Valve, Check         |
| 1           | 1          | M321-501-246       | Valve, Check         |
| 2           | 1          | M321-501-247       | Coupling, Plain Hose |



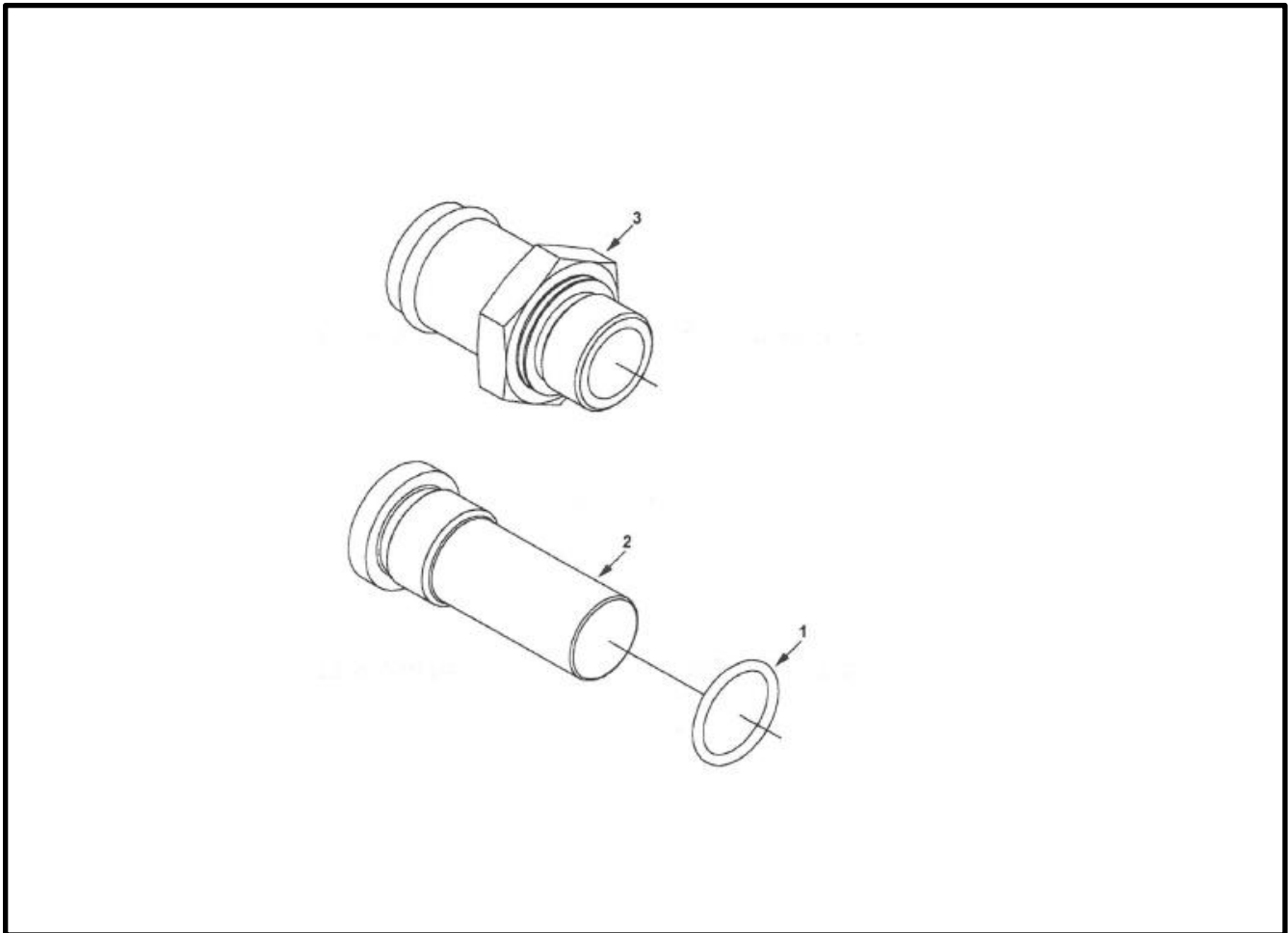
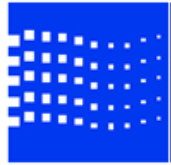
| <u>Item</u> | <u>Qty</u> | <u>Part Number</u> | <u>Description</u>         |
|-------------|------------|--------------------|----------------------------|
| 1           | 2          | M506-565-01        | Washer, PLain              |
| 2           | 2          | M506-566-01        | Screw, Hexagon Head Cap    |
| 3           | 1          | M505-554-01        | Seal, Rectangular Ring     |
| 4           | 1          | M502-598-01        | Adapter, Angle Drive       |
| 5           | 1          | M503-520-01        | Hub, Tac Drive Coupling    |
| 6           | 1          | M505-555-01        | Seal, Rectangular Ring     |
| 7           | 1          | M505-556-01        | Adapter, Tac Takeoff Drive |



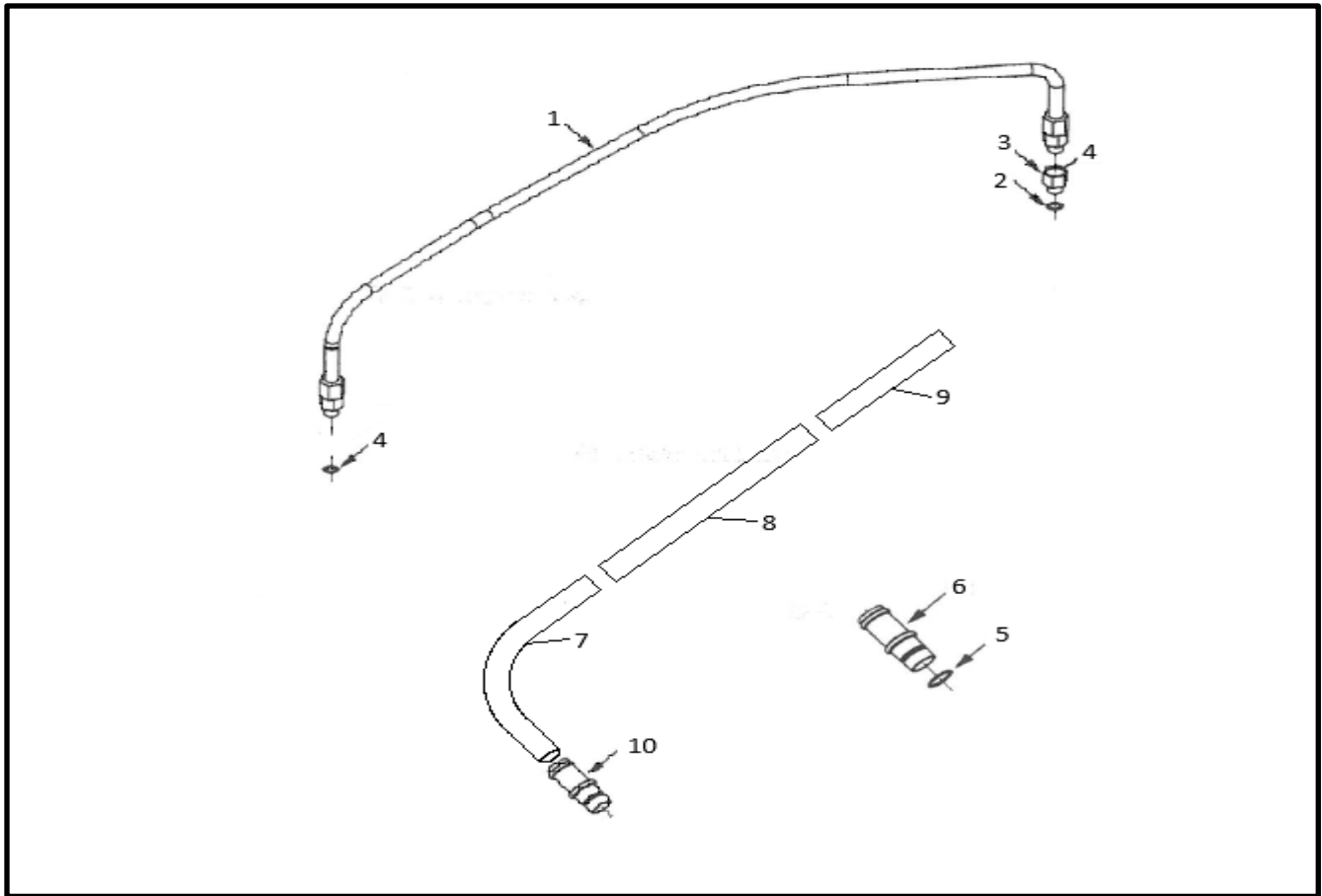
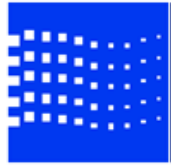


---

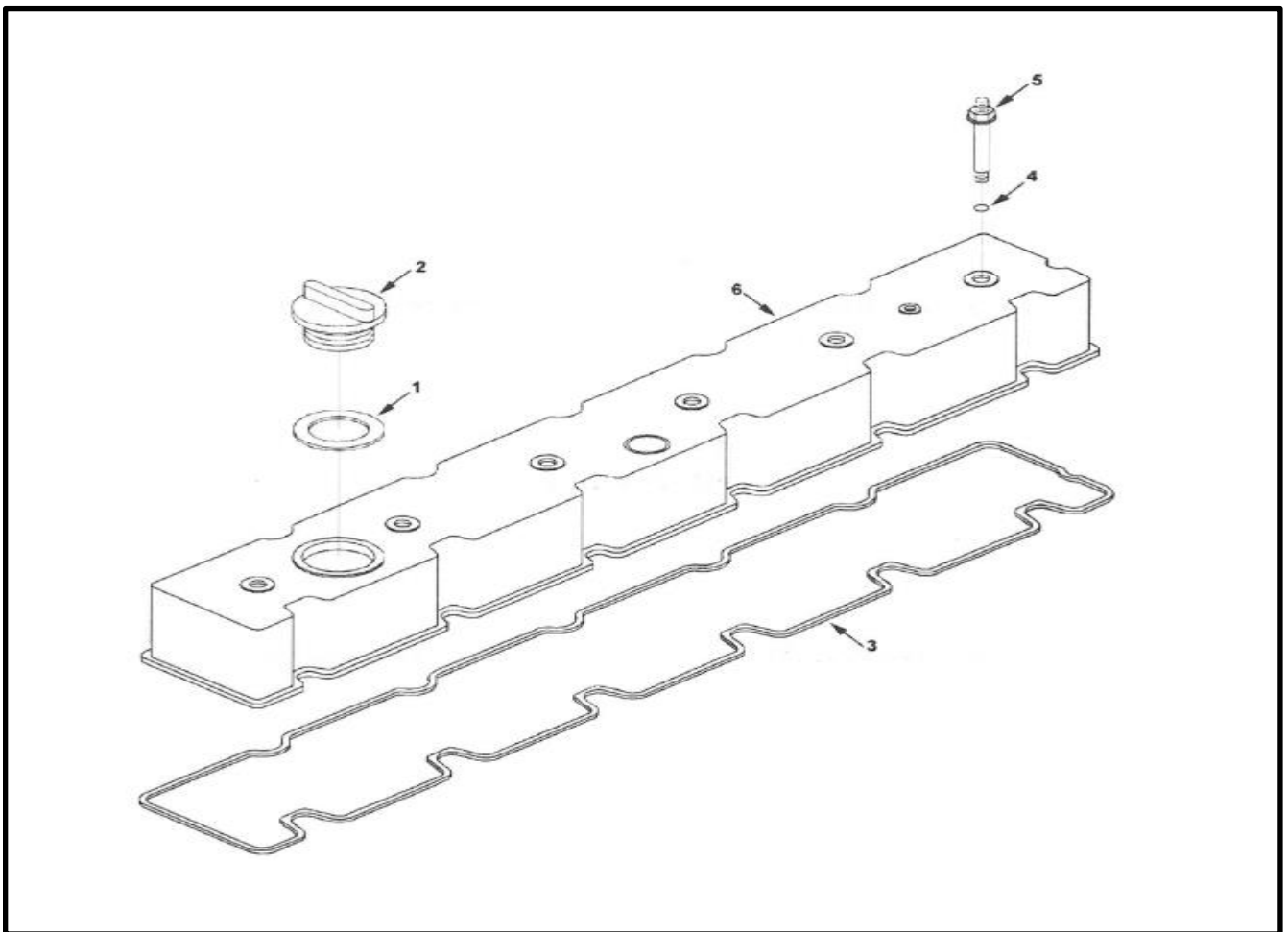
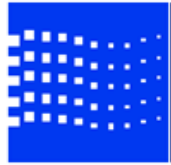
| <u>Item</u> | <u>Qty</u> | <u>Part Number</u> | <u>Description</u>                           |
|-------------|------------|--------------------|--|
| 1           |            | M250-215-18        | Manifold, Exhaust                            |
| 6           |            | M250-214-01        | Gasket, Exhaust Manifold                     |
| 12          |            | M507-560-01        | Screw, Hex Flange Head Cap (mounting screws) |



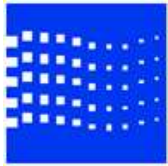
| <u>Item</u> | <u>Qty</u> | <u>Part Number</u> | <u>Description</u>   |
|-------------|------------|--------------------|----------------------|
|             | 1          | M321-501-248       | Plug, Bypass         |
| 1           | 1          | M509-563-01        | Seal, O-Ring         |
| 2           | 1          | (M321-501-249)     | Plug, Threaded       |
| 3           | 1          | M321-501-250       | Coupling, Plain Hose |



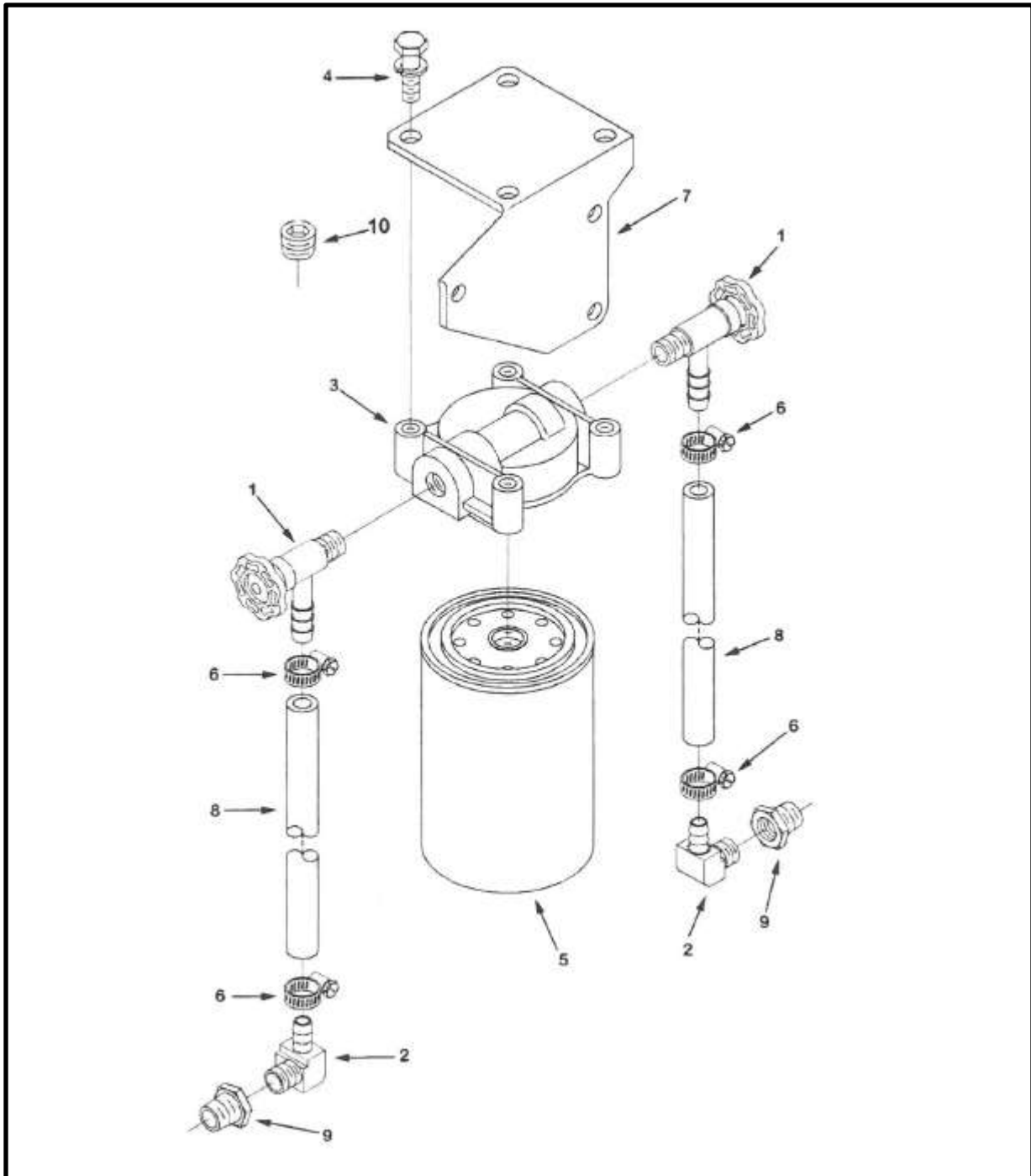
| <u>Item</u> | <u>Qty</u> | <u>Part Number</u> | <u>Description</u>                       |
|-------------|------------|--------------------|--|
| 1           | 1          | M508-599-01        | Hose, Flexible                           |
| 2           | 1          | M321-501-251       | Seal, O-Ring                             |
| 3           | 1          | (M321-501-252)     | Connector, Female                        |
| 4           | 2          | M250-298-01        | Washer, Sealing                          |
| 5           | 1          | M321-501-253       | Seal, O-Ring                             |
| 6           | 1          | M321-501-254       | Tube, Turbo Oil Drain                    |
|             | 1          | M250-553-01        | Hose Assy, Turbo Oil Drain ( not shown ) |
| 7           | 1          | M510-542-03        | Hose, Elbow                              |
| 8           | 1          | M510-542-02        | Tube, Turbo Coolant Supply               |
| 9           | 1          | M510-542-04        | Hose, Plain                              |
| 10          | 1          | M321-501-125       | Coupling, Plain Hose                     |
|             | 4          | M600-730-01        | Clamp, Hose ( not shown )                |

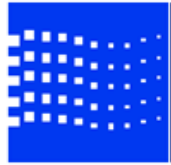


| <u>Item</u> | <u>Qty</u> | <u>Part Number</u> | <u>Description</u>         |
|-------------|------------|--------------------|----------------------------|
| 1           | 1          | M250-508-01        | Seal, Rectangular Ring     |
| 2           | 1          | M506-567-01        | Cap, Filler                |
| 3           | 1          | M250-507-01        | Seal, Rocker Lever Cover   |
| 4           | 6          | M250-527-01        | Seal, O-Ring               |
| 5           | 6          | M506-568-01        | Screw, Hex Flange Head Cap |
| 6           | 1          | M506-569-01        | Cover, Valve               |



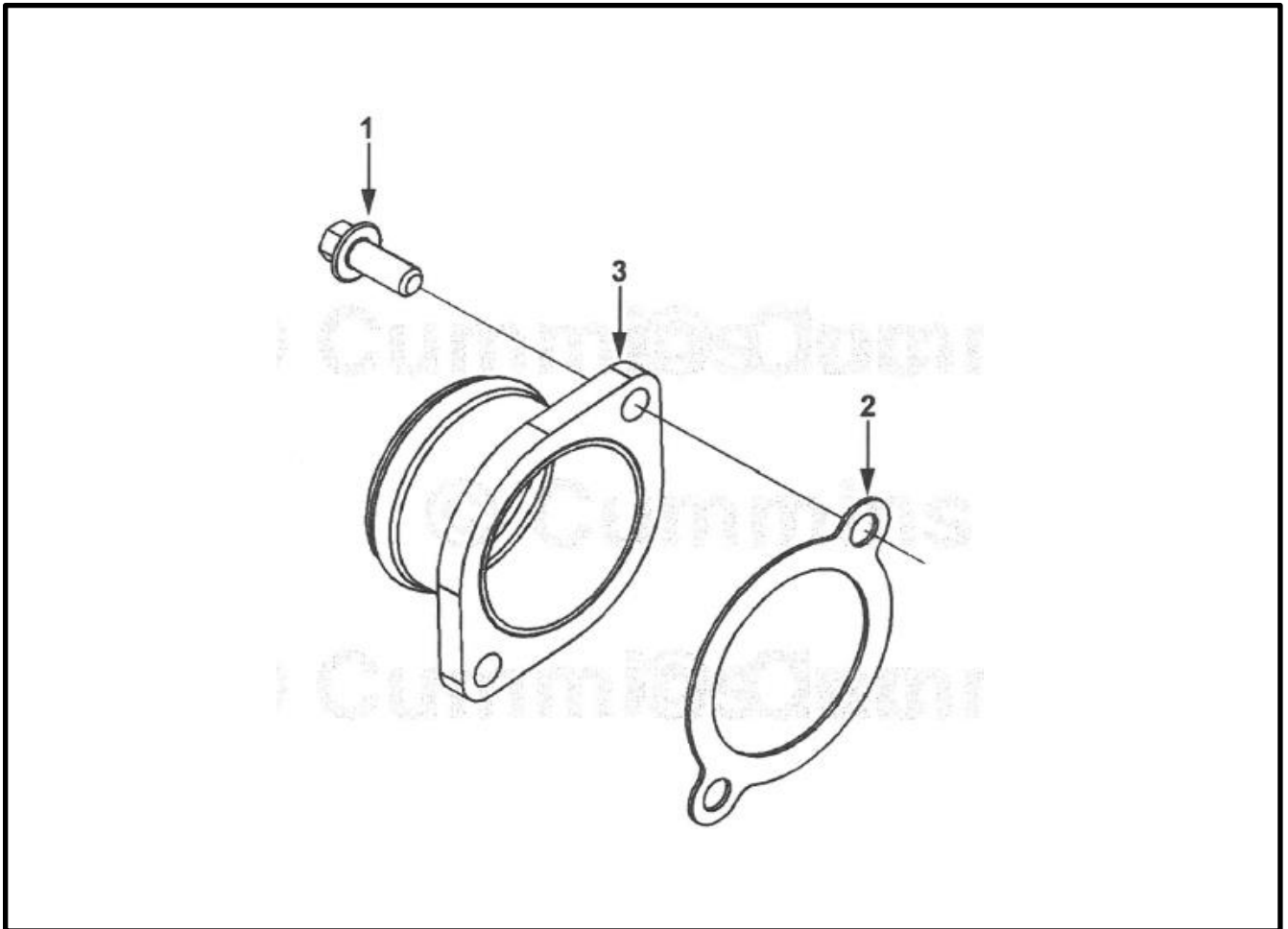
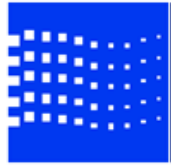
**CORROSION RESISTOR**



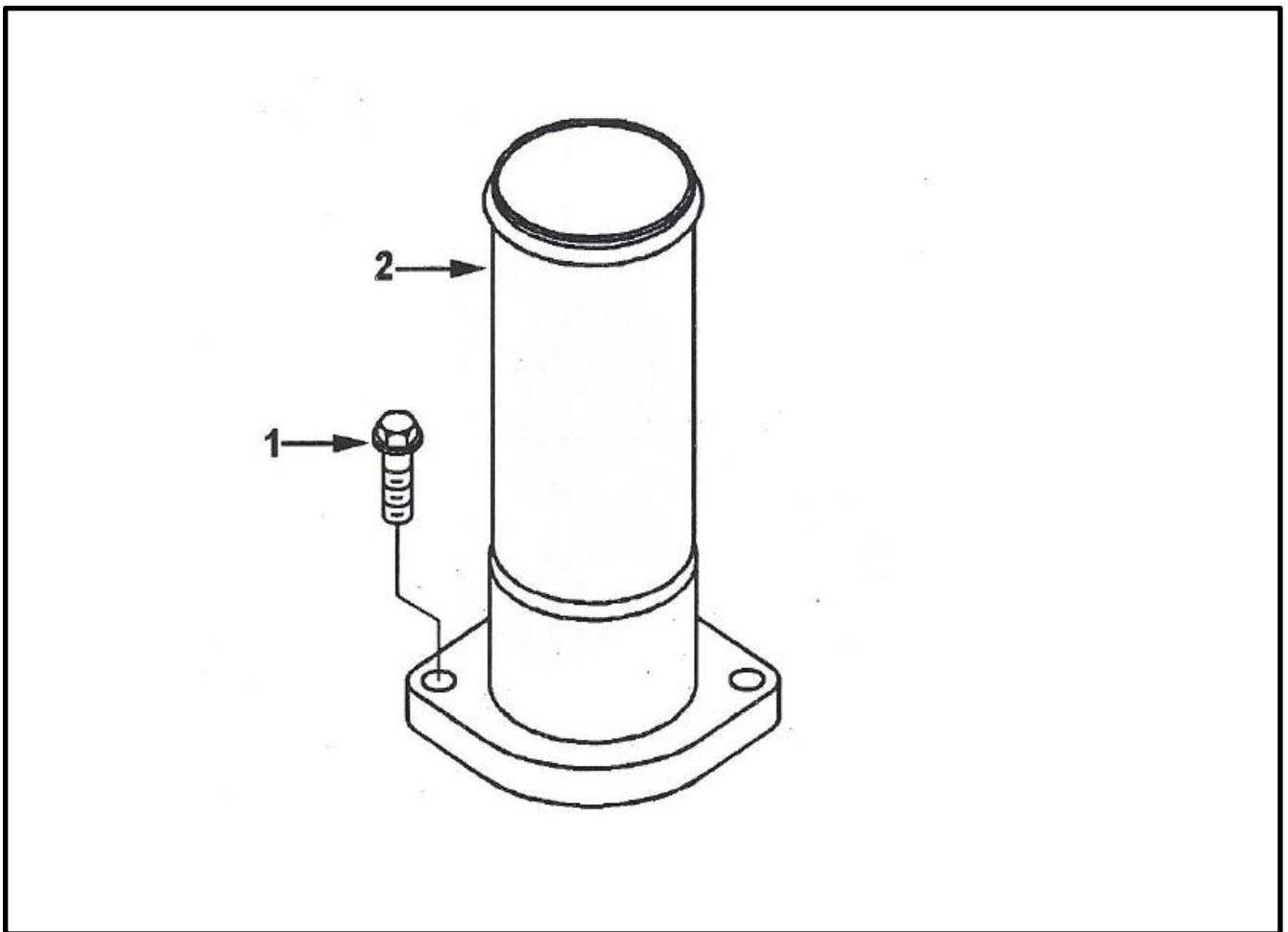


---

| <u>Item</u> | <u>Qty</u> | <u>Part Number</u> | <u>Description</u>        |
|-------------|------------|--------------------|---------------------------|
| 1           | 2          | M508-553-01        | Valve, Shutoff            |
| 2           | 2          | M321-501-255       | Coupling, Elbow Hose      |
| 3           | 1          | M508-554-01        | Head, Corrosion Resistor  |
| 4           | 4          | M321-501-256       | Screw, Captive Washer Cap |
| 5           | 1          | M250-578-01        | Resistor, Corrision       |
| 6           | 4          | M321-501-257       | Clamp, Hose               |
| 7           | 1          | M321-501-258       | Bracket, Filter           |
| 8           | 2          | M321-501-259       | Hose, Plain               |
| 9           | 2          | M321-501-260       | Bushing, Reducing Pipe    |
| 10          | 2          | M321-501-09        | Plug, Pipe                |

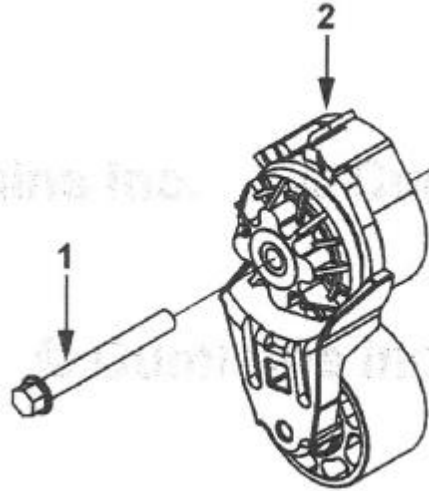


| <u>Item</u> | <u>Qty</u> | <u>Part Number</u> | <u>Description</u>         |
|-------------|------------|--------------------|----------------------------|
| 1           | 2          | M250-514-01        | Screw, Hex Flange Head Cap |
| 2           | 1          | M321-501-261       | Gasket, Connection         |
| 3           | 1          | M321-501-262       | Connection, Water Inlet    |

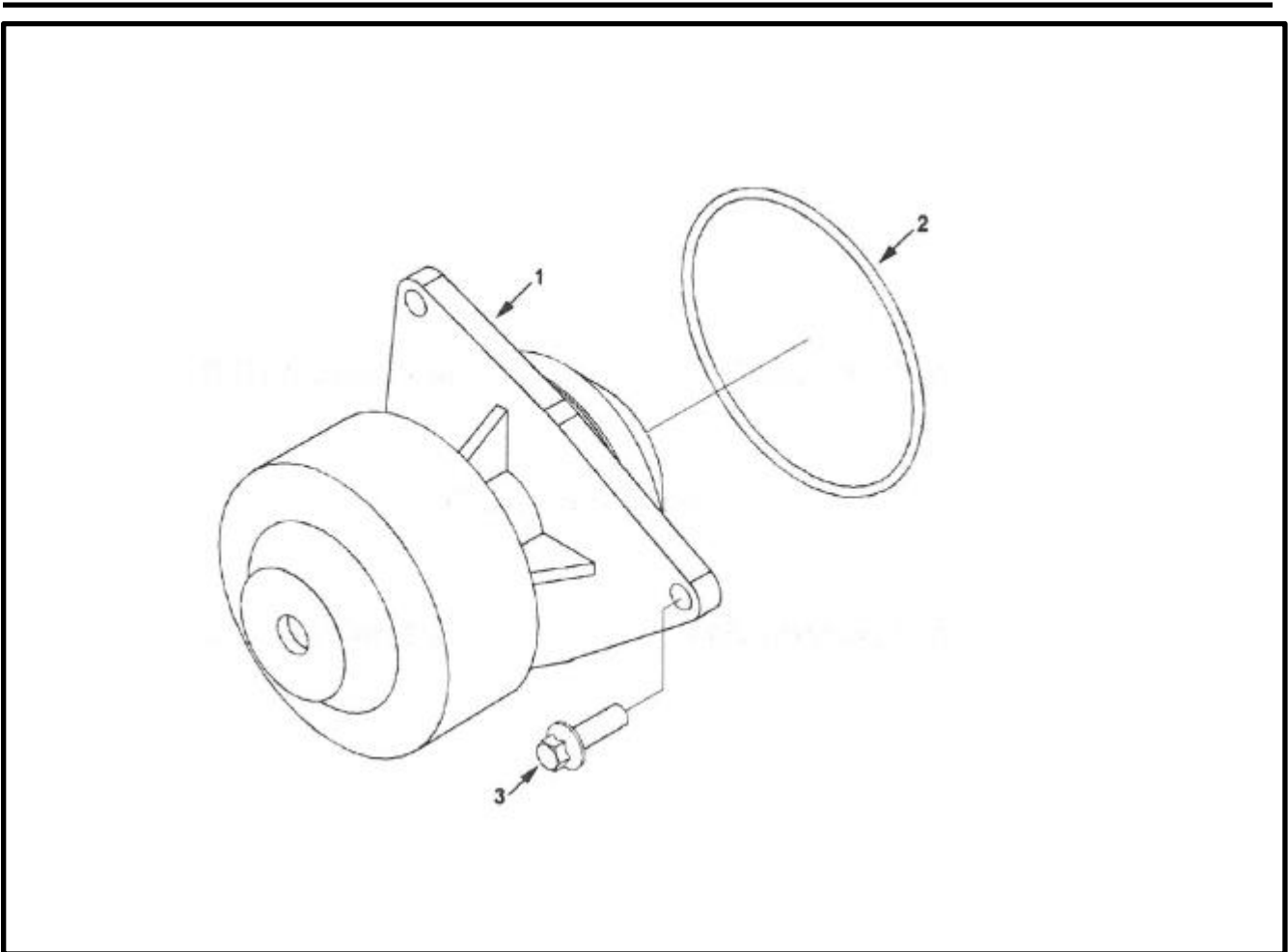


| <u>Item</u> | <u>Qty</u> | <u>Part Number</u> | <u>Description</u>                  |
|-------------|------------|--------------------|-------------------------------------|
| 1           | 2          | M250-533-05        | Screw, Hex Flange Head Cap          |
| 2           | 1          | M321-501-263       | Connection, Water Outlet (modified) |

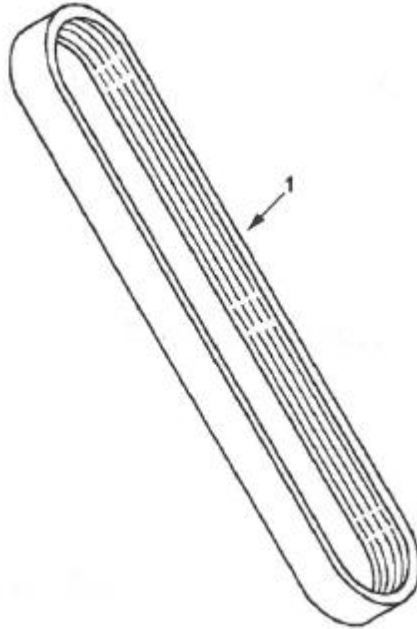




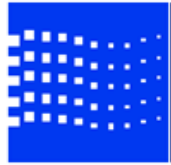
| <u>Item</u> | <u>Qty</u> | <u>Part Number</u> | <u>Description</u>         |
|-------------|------------|--------------------|----------------------------|
| 1           | 1          | M510-502-01        | Screw, Hex Flange Head Cap |
| 2           | 1          | M505-561-01        | Tensioner, Belt            |



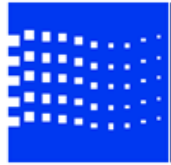
| <u>Item</u> | <u>Qty</u> | <u>Part Number</u> | <u>Description</u>         |
|-------------|------------|--------------------|----------------------------|
|             | 1          | M509-505-01        | Kit, Water Pump            |
| 1           | 1          | (M321-501-265)     | Pump, Water                |
| 2           | 1          | M321-501-266       | Seal, O-Ring               |
| 3           | 3          | M321-501-267       | Screw, Hex Flange Head Cap |



| <u>Item</u> | <u>Qty</u> | <u>Part Number</u> | <u>Description</u> |
|-------------|------------|--------------------|--------------------|
| 1           | 1          | M250-590-01        | Belt, V Ribbed     |

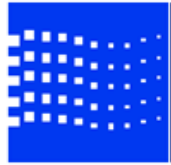


| <u>Item</u> | <u>Qty</u> | <u>Part Number</u>  | <u>Description</u>                                   |
|-------------|------------|---------------------|--|
|             | <b>1</b>   | <b>M321-501-268</b> | <b>Lower Engine Gasket Set</b>                       |
|             | 1          | M321-501-269        | Gasket, Gear Housing                                 |
|             | 1          | M321-501-270        | Washer, Sealing                                      |
|             | 1          | M321-501-271        | Seal, O-Ring   |
|             | 6          | M321-501-272        | Nozzle, Piston Cooling                               |
|             | 1          | M321-501-99         | Seal, Rectangular Ring                               |
|             | 1          | M250-615-01         | Seal. O-Ring   |
|             | 1          | M321-501-273        | Seal, Rectangular Ring                               |
|             | 1          | M321-501-274        | Gasket, Lube Oil Cooler Cover                        |
|             | 1          | M250-617-01         | Seal, Rectangular Ring                               |
|             | 1          | M321-501-275        | Gasket, Hydraulic Pump                               |
|             | 1          | M321-501-276        | Gasket, Gear Cover                                   |
|             | 1          | M321-501-277        | Gasket, Gear Cover                                   |
|             | 1          | M509-580-01         | Gasket, Oil Cooler Core                              |
|             | 1          | M321-501-278        | Gasket, Hudraulic Pump                               |
|             | 1          | M321-501-279        | Washer, Sealing                                      |
|             | 12         | M321-501-18         | Nozzle, Piston Cooling                               |
|             | 1          | M321-501-280        | Gasket, Lube Oil Cooler Cover                        |
|             | 1          | M321-501-135        | Valve, Bypass  |
|             | 1          | M509-508-01         | Gasket, Oil Pan                                      |
|             | 1          | M505-511-01         | Gasket, Cover Plate                                  |
|             | 1          | M509-506-01         | Gasket, Oil Suction Connection                       |
|             | 1          | M321-501-281        | Gasket, Rear Cover                                   |
|             | 1          | M321-501-282        | Seal, O-Ring   |
|             | 1          | M321-501-283        | Kit, Front seal Service (includes installation tool) |
|             | 1          | M321-501-284        | Kit, Crankshaft Seal                                 |



---

| <u>Item</u> | <u>Qty</u> | <u>Part Number</u> | <u>Description</u>          |
|-------------|------------|--------------------|-----------------------------|
|             | 1          | M321-501-37        | Main Bearing Kits, Standard |
|             | 1          | M321-501-161       | Engine Piston Kit, Standard |



---

| <u>Item</u> | <u>Qty</u> | <u>Part Number</u> | <u>Description</u>                 |
|-------------|------------|--------------------|------------------------------------|
|             | <b>1</b>   | <b>M250-589-01</b> | <b>Upper Engine Gasket Set Kit</b> |
|             | 6          | M250-530-01        | Seal, Banjo Connector              |
|             | 2          | M250-531-01        | Washer, Sealing                    |
|             | 1          | M250-507-01        | Seal, Rocker Lever Cover           |
|             | 1          | M250-218-01        | Gasket, Turbocharger               |
|             | 6          | M250-214-01        | Gasket, Copper Exhaust Manifold    |
|             | 1          | M250-506-01        | Gasket, Cylinder Head              |
|             | 1          | M250-291-01        | Gasket, Intake Manifold            |
|             | 6          | M250-527-01        | Seal, O-Ring                       |
|             | 1          | M250-508-01        | Seal, Rectangular Ring             |
|             | 1          | M250-528-01        | Seal, Rectangular Ring             |
|             | 1          | M250-529-01        | Seal, Rectangular Ring             |

## Part Index

| Part Number | Description                   | Page No. |
|-------------|-------------------------------|----------|
| M90-371-14  | Stud                          | 62       |
| M250-206-02 | Tube, Compressor Air Inlet    | 18       |
| M250-211-01 | Bracket, Front Lifting        | 44       |
| M250-214-01 | Gasket, Exhaust Manifold      | 68       |
| M250-214-01 | Gasket, Exhaust Manifold      | 81       |
| M250-215-18 | Manifold, Exhaust             | 68       |
| M250-218-01 | Gasket, Turbocharger          | 81       |
| M250-218-01 | Gasket, Turbocharger          | 62       |
| M250-290-01 | Cover, Intake Manifold        | 43       |
| M250-291-01 | Gasket, Intake Manifold Cover | 43       |
| M250-291-01 | Gasket, Intake Manifold Cover | 81       |
| M250-298-01 | Washer, Sealing               | 70       |
| M250-503-01 | Screw, Hex Flange Head Cap    | 59       |
| M250-505-02 | Plug, Pipe                    | 47       |
| M250-505-03 | Spacer, Mounting              | 47       |
| M250-505-04 | Elbow, Male Union             | 47       |
| M250-505-05 | Hose, Flexible                | 47       |
| M250-505-06 | Elbow, Male Adapter           | 47       |
| M250-505-07 | Head, Lub Oil Filter          | 47       |
| M250-505-08 | Bracket, Filter               | 47       |
| M250-505-09 | Seal, O Ring                  | 47       |
| M250-505-10 | Cover, Filter Head            | 47       |
| M250-505-11 | Adapter, Filter Head          | 47       |
| M250-505-12 | Seal, O Ring                  | 47       |
| M250-505-13 | Screw, Hex Flange Head Cap    | 47       |
| M250-505-14 | Screw, Hex Flange Head Cap    | 47       |
| M250-505-15 | Hose, Flexible                | 47       |
| M250-506-01 | Gasket, Cylinder Head         | 59       |
| M250-506-01 | Gasket, Cylinder Head         | 81       |
| M250-507-01 | Seal, Rocker Lever Cover      | 71       |
| M250-507-01 | Seal, Rocker Lever Cover      | 81       |
| M250-508-01 | Seal, Rectangular Ring        | 71       |
| M250-508-01 | Seal, Rectangular Ring        | 81       |
| M250-514-01 | Screw, Hex Flange Head Cap    | 74       |
| M250-514-01 | Screw, Hex Flange Head Cap    | 37       |
| M250-517-01 | Screw, Hex Flange Head Cap    | 37       |
| M250-517-01 | Screw, Hex Flange Head Cap    | 33       |
| M250-519-01 | Bracket, Mounting             | 37       |
| M250-520-01 | Bracket, Fuel Lines           | 33       |
| M250-527-01 | Seal, O Ring                  | 71       |
| M250-527-01 | Seal, O Ring                  | 81       |

## Part Index

| Part Number | Description                | Page No. |
|-------------|----------------------------|----------|
| M250-528-01 | Seal, Rectangular Ring     | 26       |
| M250-528-01 | Seal, Rectangular Ring     | 81       |
| M250-529-01 | Seal, Rectangular Ring     | 26       |
| M250-529-01 | Seal, Rectangular Ring     | 81       |
| M250-530-01 | Seal, Banjo Connector      | 36       |
| M250-530-01 | Seal, Banjo Connector      | 81       |
| M250-531-01 | Washer, Sealing            | 36       |
| M250-531-01 | Washer, Sealing            | 81       |
| M250-532-01 | Kit, Extended Dipstick     | 49       |
| M250-532-02 | Tube, Oil Gauge            | 49       |
| M250-532-03 | Nut, Regular Hexagon       | 49       |
| M250-532-04 | Screw, Hex Flange Head Cap | 49       |
| M250-532-04 | Screw, Hex Flange Head Cap | 42       |
| M250-532-05 | Plug, Expansion            | 49       |
| M250-532-06 | Tube, Oil Gauge            | 49       |
| M250-532-07 | End, Oil Gauge Tube        | 49       |
| M250-532-08 | Brace, Tube                | 49       |
| M250-532-09 | Clamp, Spring Hose         | 49       |
| M250-532-10 | Dipstick                   | 49       |
| M250-533-02 | Cap, Filler                | 51       |
| M250-533-05 | Screw, Hex Flange Head Cap | 75       |
| M250-547-01 | Screw, Hex Flange Head Cap | 59       |
| M250-553-01 | Hose Assy, Turbo Oil Drain | 70       |
| M250-563-01 | Tube, Fuel Supply          | 27       |
| M250-574-01 | Element, Lub Oil Filter    | 47       |
| M250-575-01 | Filter, Fuel Primary       | 26       |
| M250-576-01 | Filter, Fuel Secondary     | 26       |
| M250-578-01 | Resistor, Corrosion        | 72       |
| M250-586-01 | Injector                   | 58       |
| M250-589-01 | Upper Engine Set Kit       | 81       |
| M250-590-01 | Belt, V Ribbed             | 78       |
| M250-591-01 | Compressor, Air            | 19       |
| M250-591-02 | Compressor, Air            | 19       |
| M250-591-03 | Gear, Accessory Drive      | 19       |
| M250-591-04 | Kit, Air Compressor Repair | 19       |
| M250-591-05 | Kit, Rear Seal & Adpt.     | 19       |
| M250-591-06 | Kit, Gasket                | 19       |
| M250-591-07 | Adapter, Spline            | 19       |
| M250-614-01 | Pin, Timing                | 11       |
| M250-615-01 | Seal, O Ring               | 79       |
| M250-615-01 | Seal, O Ring               | 11       |



## Part Index

| Part Number | Description                | Page No. |
|-------------|----------------------------|----------|
| M250-616-01 | Housing, Timing Pin        | 11       |
| M250-617-01 | Seal, Rectangular Ring     | 79       |
| M250-617-01 | Seal, Rectangular Ring     | 11       |
| M250-619-01 | Support, Fuel Pump         | 33       |
| M250-622-01 | Hose, Plain Upper          | 18       |
| M250-622-02 | Hose, Plain Lower          | 18       |
| M250-623-01 | Screw, Hex Flange Head Cap | 24       |
| M250-623-01 | Screw, Hex Flange Head Cap | 19       |
| M321-501-01 | Screw, Hex Flange Head Cap | 2        |
| M321-501-02 | Pulley, Crankshaft         | 2        |
| M321-501-03 | Plug, Threaded             | 4        |
| M321-501-03 | Plug, Threaded             | 43       |
| M321-501-03 | Plug, Threaded             | 5        |
| M321-501-03 | Plug, Threaded             | 3        |
| M321-501-04 | Seal, O Ring               | 4        |
| M321-501-04 | Seal, O Ring               | 5        |
| M321-501-04 | Seal, O Ring               | 3        |
| M321-501-04 | Seal, O Ring               | 43       |
| M321-501-05 | Plug, Threaded             | 4        |
| M321-501-05 | Plug, Threaded             | 5        |
| M321-501-05 | Plug, Threaded             | 3        |
| M321-501-06 | Plug, Threaded             | 3        |
| M321-501-07 | Plug, Threaded             | 3        |
| M321-501-08 | Seal, O Ring               | 32       |
| M321-501-08 | Seal, O Ring               | 31       |
| M321-501-08 | Seal, O Ring               | 3        |
| M321-501-09 | Plug, Pipe                 | 72       |
| M321-501-09 | Plug, Pipe                 | 17       |
| M321-501-09 | Plug, Pipe                 | 4        |
| M321-501-10 | Draincock                  | 5        |
| M321-501-11 | Kit, Cylinder Liner        | 7        |
| M321-501-11 | Kit, Cylinder Liner        | 5        |
| M321-501-12 | Seal, Rectangular Ring     | 7        |
| M321-501-12 | Seal, Rectangular Ring     | 5        |
| M321-501-13 | Liner, Cylinder            | 7        |
| M321-501-13 | Liner, Cylinder            | 5        |
| M321-501-14 | Pin, Dowel                 | 5        |
| M321-501-15 | Pin, Dowel                 | 5        |
| M321-501-16 | Plug, Expansion            | 5        |
| M321-501-17 | Seal, O Ring               | 9        |
| M321-501-17 | Seal, O Ring               | 5        |

## Part Index

| Part Number | Description                      | Page No. |
|-------------|----------------------------------|----------|
| M321-501-18 | Nozzle, Piston Cooling           | 79       |
| M321-501-18 | Nozzle, Piston Cooling           | 8        |
| M321-501-18 | Nozzle, Piston Cooling           | 5        |
| M321-501-19 | Block, Cylinder                  | 5        |
| M321-501-20 | Plug, Expansion                  | 5        |
| M321-501-21 | Plug, Expansion                  | 5        |
| M321-501-22 | Plug, Expansion                  | 5        |
| M321-501-23 | Plug, Expansion                  | 5        |
| M321-501-24 | Bushing                          | 5        |
| M321-501-25 | Screw, Hex Flange Head Cap       | 5        |
| M321-501-26 | Cap, Main Bearing                | 5        |
| M321-501-27 | Block, Cylinder                  | 5        |
| M321-501-28 | Shim                             | 7        |
| M321-501-28 | Shim                             | 5        |
| M321-501-29 | Shim                             | 7        |
| M321-501-29 | Shim                             | 5        |
| M321-501-30 | Shim                             | 7        |
| M321-501-30 | Shim                             | 5        |
| M321-501-31 | Shim                             | 7        |
| M321-501-31 | Shim                             | 5        |
| M321-501-32 | Shim                             | 7        |
| M321-501-32 | Shim                             | 5        |
| M321-501-33 | Assembly TLA, Crankshaft         | 9        |
| M321-501-34 | Crankshaft, Engine               | 9        |
| M321-501-35 | Gear, Crankshaft                 | 9        |
| M321-501-36 | Pin, Dowel                       | 9        |
| M321-501-37 | Kit, PDC, Main Bearing, Standard | 9        |
| M321-501-37 | Kit, PDC, Main Bearing, Standard | 80       |
| M321-501-38 | Bearing, Main                    | 9        |
| M321-501-39 | Bearing, Crankshaft Thrust       | 9        |
| M321-501-40 | Bearing, Main                    | 9        |
| M321-501-41 | Tappet, Valve                    | 10       |
| M321-501-42 | Screw, Round Head Cap            | 11       |
| M321-501-43 | Housing, Timing Pin              | 11       |
| M321-501-44 | Ring, Retaining                  | 11       |
| M321-501-45 | Screw, Hex Flange Head Cap       | 11       |
| M321-501-46 | Housing, Gear                    | 11       |
| M321-501-47 | Screw, Hex Flange Head Cap       | 11       |
| M321-501-48 | Gasket, Gear Housing             | 11       |
| M321-501-49 | Clip                             | 12       |
| M321-501-50 | Screw, Hex Flange Head Cap       | 12       |

## Part Index

| Part Number | Description                | Page No. |
|-------------|----------------------------|----------|
| M321-501-50 | Screw, Hex Flange Head Cap | 44       |
| M321-501-51 | Clamp, Spring Hose         | 12       |
| M321-501-52 | Clip                       | 12       |
| M321-501-53 | Tube, Breather             | 12       |
| M321-501-54 | Screw, Self Tapping Metal  | 12       |
| M321-501-54 | Screw, Self Tapping Metal  | 28       |
| M321-501-55 | Hose, Plain                | 12       |
| M321-501-56 | Connection, Vent           | 12       |
| M321-501-57 | Seal, Rectangular Ring     | 12       |
| M321-501-58 | Clamp, Hose                | 12       |
| M321-501-59 | Gasket, Breather           | 12       |
| M321-501-60 | Hose, Plain                | 12       |
| M321-501-61 | Screw, Hex Flange Head Cap | 12       |
| M321-501-61 | Screw, Hex Flange Head Cap | 28       |
| M321-501-62 | Plate, Cover               | 12       |
| M321-501-63 | Connector Male             | 14       |
| M321-501-64 | Elbow, Male Adapter        | 14       |
| M321-501-65 | Tube, Cpr Water Inlet      | 14       |
| M321-501-66 | Tee, Plain Adapter         | 14       |
| M321-501-67 | Seal, O Ring               | 14       |
| M321-501-68 | Plug, Pipe                 | 14       |
| M321-501-69 | Tee, Plain Adapter         | 14       |
| M321-501-70 | Tube, Cpr Water Outlet     | 14       |
| M321-501-71 | Elbow, Male Adapter        | 14       |
| M321-501-72 | Elbow, Male Adapter        | 14       |
| M321-501-73 | Union, Female Adapter      | 16       |
| M321-501-74 | Union, Female Adapter      | 16       |
| M321-501-75 | Seal, O Ring               | 16       |
| M321-501-76 | Hose, Flexible             | 19       |
| M321-501-77 | Screw, Hex Flange Head Cap | 19       |
| M321-501-78 | Stud                       | 19       |
| M321-501-79 | Spacer, Mounting           | 19       |
| M321-501-80 | Elbow, Plain Union         | 19       |
| M321-501-81 | Brace, Air Compressor      | 19       |
| M321-501-82 | Screw, Hex Flange Head Cap | 21       |
| M321-501-83 | Damper, Vibration          | 21       |
| M321-501-84 | Screw, Hex Flange Head Cap | 23       |
| M321-501-85 | Support, Front Engine      | 23       |
| M321-501-86 | Hub, Fan                   | 24       |
| M321-501-87 | Support, Fan               | 24       |
| M321-501-88 | Washer, Sealing            | 25       |

## Part Index

| Part Number  | Description                | Page No. |
|--------------|----------------------------|----------|
| M321-501-89  | Plug, Threaded             | 25       |
| M321-501-90  | Plug, Threaded             | 25       |
| M321-501-91  | Plug, Pipe                 | 62       |
| M321-501-91  | Plug, Pipe                 | 25       |
| M321-501-92  | Nut, Regular Hexagon Jam   | 26       |
| M321-501-93  | Adapter, Filter Head       | 26       |
| M321-501-94  | Ball                       | 26       |
| M321-501-95  | Adapter, Filter Head       | 26       |
| M321-501-96  | Head, Fuel Filter          | 26       |
| M321-501-97  | Cover, Rear                | 28       |
| M321-501-98  | Plug, Threaded             | 28       |
| M321-501-99  | Seal, Rectangular Ring     | 79       |
| M321-501-99  | Seal, Rectangular Ring     | 28       |
| M321-501-100 | Screw, Hex Flange ead Cap  | 28       |
| M321-501-101 | Plate, Cover               | 28       |
| M321-501-102 | Gasket, Rear Cover         | 28       |
| M321-501-104 | Bushing, Reducing Pipe     | 30       |
| M321-501-105 | Connector, Male            | 32       |
| M321-501-105 | Connector, Male            | 31       |
| M321-501-106 | Elbow, Male Adapter        | 32       |
| M321-501-106 | Elbow, Male Adapter        | 31       |
| M321-501-107 | Tee, Female Pipe           | 32       |
| M321-501-107 | Tee, Female Pipe           | 31       |
| M321-501-108 | Connector, Male            | 32       |
| M321-501-108 | Connector, Male            | 31       |
| M321-501-109 | Nut, Hexagon Flange        | 33       |
| M321-501-110 | Screw, Hex Flange Head Cap | 33       |
| M321-501-111 | Screw, Hex Flange Head Cap | 33       |
| M321-501-112 | Stud                       | 33       |
| M321-501-113 | Screw, Hex Flange Head Cap | 33       |
| M321-501-114 | Seal, O Ring               | 33       |
| M321-501-115 | Support, Fuel Pump         | 33       |
| M321-501-116 | Seal, Rectangular Ring     | 33       |
| M321-501-117 | Support, Fuel Pump         | 33       |
| M321-501-118 | Gear, Fuel Pump            | 33       |
| M321-501-119 | Screw, Hexagon Head Cap    | 35       |
| M321-501-121 | Carrier, Seal              | 41       |
| M321-501-122 | Nut, Lock                  | 41       |
| M321-501-123 | Seal, O Ring               | 42       |
| M321-501-124 | Plug, Expansion            | 42       |
| M321-501-125 | Coupling, Plain Hose       | 42       |

## Part Index

| Part Number  | Description                | Page No. |
|--------------|----------------------------|----------|
| M321-501-125 | Coupling, Plain Hose       | 70       |
| M321-501-126 | Plug, Pipe                 | 45       |
| M321-501-126 | Plug, Pipe                 | 42       |
| M321-501-127 | Plate, Clamping            | 42       |
| M321-501-128 | Connection, Water Transfer | 42       |
| M321-501-129 | Screw, Hex Flange Head Cap | 43       |
| M321-501-130 | Plug, Pipe                 | 45       |
| M321-501-131 | Plug, Pipe                 | 45       |
| M321-501-132 | Plug, Threaded             | 45       |
| M321-501-133 | Plug, Threaded             | 45       |
| M321-501-134 | Seal, O Ring               | 45       |
| M321-501-135 | Valve, Bypass              | 79       |
| M321-501-135 | Valve, Bypass              | 45       |
| M321-501-136 | Seal, O Ring               | 45       |
| M321-501-137 | Valve, Bypass              | 45       |
| M321-501-138 | Screw, Studded Flange Cap  | 45       |
| M321-501-139 | Plunger, PRS Regulator     | 45       |
| M321-501-140 | Screw, Hex Flange Head Cap | 45       |
| M321-501-141 | Spring, Compression        | 45       |
| M321-501-142 | Head, Lub Oil Filter       | 45       |
| M321-501-143 | Dowel, Ring                | 45       |
| M321-501-144 | Screw, Hex Flange Head Cap | 45       |
| M321-501-145 | Head, Lub Oil Filter       | 45       |
| M321-501-146 | Cover, Lub Oil Cooler      | 45       |
| M321-501-147 | Gasket, Connection         | 45       |
| M321-501-148 | Pump, Lubricating Oil      | 50       |
| M321-501-149 | Screw, Hexagon Head Cap    | 50       |
| M321-501-150 | Tube, Oil Filler           | 51       |
| M321-501-151 | Screw, Hex Flange Head Cap | 52       |
| M321-501-152 | Screw, Hex Flange Head Cap | 52       |
| M321-501-153 | Nut, Hexagon Flange        | 52       |
| M321-501-154 | Screw, Hex Flange Head Cap | 52       |
| M321-501-155 | Washer, Plain              | 52       |
| M321-501-156 | Spacer, Mounting           | 52       |
| M321-501-157 | Brace, Tube                | 52       |
| M321-501-158 | Plug, Threaded             | 52       |
| M321-501-159 | Plug, Threaded             | 52       |
| M321-501-160 | Oil Drain Plug/Right Side  | 52       |
| M321-501-161 | Kit, Engine Piston         | 55       |
| M321-501-161 | Kit, Engine Piston         | 80       |
| M321-501-162 | Set, Piston Ring           | 55       |

## Part Index

| Part Number  | Description                | Page No. |
|--------------|----------------------------|----------|
| M321-501-163 | Ring, Compression Piston   | 55       |
| M321-501-164 | Ring, Oil Piston           | 55       |
| M321-501-165 | Ring, Compression Piston   | 55       |
| M321-501-166 | Ring, Retaining            | 55       |
| M321-501-167 | Piston, Engine             | 55       |
| M321-501-168 | Rod, Engine Connecting     | 55       |
| M321-501-169 | Bushing                    | 55       |
| M321-501-170 | Rod, Engine Connecting     | 55       |
| M321-501-171 | Bolt, Connecting Rod       | 55       |
| M321-501-172 | Nut, Connecting Rod        | 55       |
| M321-501-173 | Pin, Piston                | 55       |
| M321-501-174 | Bearing, Connecting Rod    | 55       |
| M321-501-175 | Gear, Camshaft             | 57       |
| M321-501-176 | Screw, Hexagon Head Cap    | 57       |
| M321-501-177 | Key, Plain Woodruff        | 57       |
| M321-501-178 | Camshaft                   | 57       |
| M321-501-179 | Support, Camshaft Thrust   | 57       |
| M321-501-180 | Collet, Valve              | 59       |
| M321-501-181 | Valve, Exhaust             | 59       |
| M321-501-182 | Valve, Intake              | 59       |
| M321-501-183 | Seal, Valve Stem           | 59       |
| M321-501-184 | Insert, Valve              | 59       |
| M321-501-185 | Plug, Expansion            | 59       |
| M321-501-186 | Plug, Expansion            | 59       |
| M321-501-187 | Plug, Expansion            | 59       |
| M321-501-188 | Guide, Valve Stem          | 59       |
| M321-501-189 | Insert, Valve              | 59       |
| M321-501-190 | Retainer, Valve Spring     | 59       |
| M321-501-191 | Spring, Valve              | 59       |
| M321-501-192 | Plug, Pipe                 | 61       |
| M321-501-221 | Brace, Tube                | 63       |
| M321-501-222 | Tube, Injector Fuel Supply | 63       |
| M321-501-223 | Tube, Injector Fuel Supply | 63       |
| M321-501-224 | Tube, Injector Fuel Supply | 63       |
| M321-501-225 | Tube, Injector Fuel Supply | 63       |
| M321-501-226 | Brace, Tube                | 63       |
| M321-501-227 | Plug, Pipe                 | 5        |
| M321-501-228 | Screw, Twelve Point Cap    | 64       |
| M321-501-229 | Clamp, Retaining           | 64       |
| M321-501-230 | Rod, Push                  | 64       |
| M321-501-231 | Support, Rocker Lever      | 64       |

## Part Index

| Part Number  | Description                               | Page No. |
|--------------|---|----------|
| M321-501-232 | Lever, Rocker                             | 64       |
| M321-501-233 | Lever, Rocker                             | 64       |
| M321-501-234 | Nut, Heavy Hexagon                        | 64       |
| M321-501-235 | Screw, Rkr Lever Adjusting                | 64       |
| M321-501-236 | Insert, Rocker Lever                      | 64       |
| M321-501-237 | Washer, Spring                            | 64       |
| M321-501-238 | Shaft, Rocker Lever                       | 64       |
| M321-501-239 | Shaft, Rocker Lever                       | 64       |
| M321-501-240 | Rivet                                     | 64       |
| M321-501-241 | Washer, Plain                             | 64       |
| M321-501-242 | Manifold, Oil                             | 64       |
| M321-501-243 | Ring, Retaining                           | 64       |
| M321-501-245 | Valve, Check                              | 66       |
| M321-501-246 | Valve, Check                              | 66       |
| M321-501-247 | Coupling, Plain Hose                      | 66       |
| M321-501-248 | Plug, Bypass                              | 69       |
| M321-501-249 | Plug, Threaded                            | 69       |
| M321-501-250 | Coupling, Plain Hose                      | 69       |
| M321-501-251 | Seal, O Ring                              | 70       |
| M321-501-252 | Connector, Female                         | 70       |
| M321-501-253 | Seal, O Ring                              | 70       |
| M321-501-254 | Tube, Tur Oil Drain                       | 70       |
| M321-501-255 | Coupling, Elbow Hose                      | 72       |
| M321-501-256 | Screw, Captive Washer Cap                 | 72       |
| M321-501-257 | Clamp, Hose                               | 72       |
| M321-501-258 | Bracket, Filter                           | 72       |
| M321-501-259 | Hose, Plain                               | 72       |
| M321-501-260 | Bushing, Reducing Pipe                    | 72       |
| M321-501-261 | Gasket, Connection                        | 74       |
| M321-501-262 | Connection, Water Inlet                   | 74       |
| M321-501-263 | Connection, Water Outlet                  | 75       |
| M321-501-265 | Pump, Water                               | 77       |
| M321-501-266 | Seal, O Ring                              | 77       |
| M321-501-267 | Screw, Hex Flange Head Cap                | 77       |
| M321-501-268 | Kit, Service Repair, Lower Engine Gaskets | 79       |
| M321-501-269 | Gasket, Gear Housing                      | 79       |
| M321-501-270 | Washer, Sealing                           | 79       |
| M321-501-271 | Seal, O Ring                              | 79       |
| M321-501-272 | Nozzle, Piston Cooling                    | 79       |
| M321-501-273 | Seal, Rectangular Ring                    | 79       |
| M321-501-274 | Gasket, Lub Oil Clr Cover                 | 79       |

## Part Index

| Part Number  | Description                                | Page No. |
|--------------|--|----------|
| M321-501-275 | Gasket, Hydraulic Pump                     | 79       |
| M321-501-276 | Gasket, Gear Cover                         | 79       |
| M321-501-277 | Gasket, Gear Cover                         | 79       |
| M321-501-278 | Gasket, Hydraulic Pump                     | 79       |
| M321-501-279 | Washer, Sealing                            | 79       |
| M321-501-280 | Gasket, Lub Oil Clr Cover                  | 79       |
| M321-501-281 | Gasket, Rear Cover                         | 79       |
| M321-501-282 | Seal, O Ring                               | 79       |
| M321-501-283 | Kit, Front Seal Service                    | 79       |
| M321-501-284 | Kit, Crankshaft Seal                       | 79       |
| M321-501-322 | Housing, Flywheel SAE 2                    | 28       |
| M321-501-323 | Flywheel                                   | 38       |
| M321-501-324 | Gear, Flywheel Ring                        | 38       |
| M321-501-325 | Flywheel                                   | 38       |
| M329-101-31  | Turbocharger, Assembly, Modified           | 62       |
| M329-106-01  | Cylinder Head, Modified                    | 59       |
| M329-501-01  | Pump, Fuel Injection, Cummins C8.3, 230 hp | 33       |
| M502-575-01  | Support, Fan                               | 24       |
| M502-598-01  | Adapter, Angle Drive                       | 67       |
| M503-520-01  | Hub, Tac Drive Coupling                    | 67       |
| M503-528-01  | Pulley, Fan                                | 24       |
| M504-517-01  | Thermostat                                 | 22       |
| M505-510-01  | Pump, Fuel Transfer                        | 35       |
| M505-511-01  | Gasket, Cover Plate                        | 79       |
| M505-511-01  | Gasket, Cover Plate                        | 35       |
| M505-527-01  | Manifold, Fuel                             | 36       |
| M505-554-01  | Seal, Rectangular Ring                     | 67       |
| M505-555-01  | Seal, Rectangular Ring                     | 67       |
| M505-556-01  | Adapter, Tac Takeoff Drive                 | 67       |
| M505-561-01  | Tensioner, Belt                            | 76       |
| M506-533-01  | Screw, Banjo Connector                     | 25       |
| M506-534-01  | Connector, Male                            | 25       |
| M506-535-01  | Washer, Sealing                            | 35       |
| M506-535-01  | Washer, Sealing                            | 27       |
| M506-535-01  | Washer, Sealing                            | 25       |
| M506-536-01  | Connector, Banjo                           | 25       |
| M506-537-01  | Tube, Air Fuel Control                     | 25       |
| M506-555-01  | Pulley, Accessory Drive                    | 54       |
| M506-565-01  | Washer, Plain                              | 67       |
| M506-566-01  | Screw, Hexagon Head Cap                    | 67       |
| M506-567-01  | Cap, Filler                                | 71       |



## Part Index

| Part Number | Description                | Page No. |
|-------------|----------------------------|----------|
| M506-568-01 | Screw, Hex Flange Head Cap | 71       |
| M506-569-01 | Cover, Valve               | 71       |
| M506-570-01 | Gasket, Hydraulic Pump     | 19       |
| M507-560-01 | Screw, Hex Flange Head Cap | 68       |
| M507-592-03 | Tube, Fuel Drain           | 36       |
| M507-594-01 | Valve, Check               | 36       |
| M508-515-01 | Seal, Injector             | 58       |
| M508-543-01 | Hose, Flexible             | 32       |
| M508-543-01 | Hose, Flexible             | 31       |
| M508-544-01 | Screw, Banjo Connector     | 32       |
| M508-544-01 | Screw, Banjo Connector     | 31       |
| M508-545-01 | Washer, Sealing            | 32       |
| M508-545-01 | Washer, Sealing            | 31       |
| M508-551-09 | Screw, Hex Flange Head Cap | 33       |
| M508-551-18 | Valve, Pressure Relief     | 45       |
| M508-553-01 | Valve, Shutoff             | 72       |
| M508-554-01 | Head, Corrosion Resistor   | 72       |
| M508-593-01 | Tube, Injector Fuel Supply | 63       |
| M508-597-01 | Screw, Banjo Connector     | 35       |
| M508-599-01 | Hose, Flexible             | 70       |
| M508-612-01 | Tube, Fuel Supply          | 35       |
| M509-505-01 | Kit, Water Pump            | 77       |
| M509-506-01 | Gasket, Oil Suc Connection | 79       |
| M509-506-01 | Gasket, Oil Suc Connection | 52       |
| M509-507-01 | Connection, Oil Suction    | 52       |
| M509-508-01 | Gasket, Oil Pan            | 79       |
| M509-508-01 | Gasket, Oil Pan            | 52       |
| M509-509-01 | Pan, Oil                   | 52       |
| M509-510-01 | Plug, O Ring               | 28       |
| M509-511-01 | Seal, O Ring               | 28       |
| M509-512-01 | Clip                       | 36       |
| M509-513-01 | Screw, Banjo Connector     | 36       |
| M509-514-01 | Washer, Sealing            | 36       |
| M509-514-01 | Washer, Sealing            | 27       |
| M509-515-01 | Screw, Hex Flange Head Cap | 36       |
| M509-516-01 | Screw, Hex Flange Head Cap | 58       |
| M509-517-01 | Clamp, Injector            | 58       |
| M509-518-01 | Screw, Banjo Connector     | 27       |
| M509-531-01 | Nut, Hexagon Flange        | 19       |
| M509-538-01 | Screw, Hex Flange Head Cap | 52       |
| M509-545-01 | Nut, Hexagon Flange        | 33       |

## Part Index

| Part Number | Description                | Page No. |
|-------------|----------------------------|----------|
| M509-555-01 | Connector, Male            | 32       |
| M509-555-01 | Connector, Male            | 31       |
| M509-556-01 | Head, Fuel Filter          | 26       |
| M509-563-01 | Seal, O Ring               | 69       |
| M509-571-01 | Screw, Captive Washer Cap  | 27       |
| M509-572-01 | Screw, Banjo Connector     | 27       |
| M509-576-01 | Screw, Captive Washer Cap  | 39       |
| M509-579-01 | Core, Cooler               | 45       |
| M509-580-01 | Gasket, Oil Cooler Core    | 79       |
| M509-580-01 | Gasket, Oil Cooler Core    | 45       |
| M509-581-01 | Gasket, Lub Oil Clr Cover  | 45       |
| M509-583-01 | Bearing, Ball              | 24       |
| M508-558-01 | Seal                       | 14       |
| M509-589-01 | Valve, Overflow            | 36       |
| M510-502-01 | Screw, Hex Flange Head Cap | 76       |
| M510-513-01 | Tube, Injector Fuel Supply | 63       |
| M510-542-02 | Tube, Turbo Coolant Supply | 70       |
| M510-542-03 | Hose, Elbow                | 70       |
| M510-542-04 | Hose, Plain                | 70       |
| M510-548-01 | Screw, Studded Flange Cap  | 40       |
| M510-549-01 | Cover, Gear                | 41       |
| M510-550-01 | Screw, Hex Flange Head Cap | 41       |
| M510-551-01 | Seal, Oil                  | 41       |
| M510-552-01 | Screw, Twelve Point Cap    | 41       |
| M510-555-01 | Tube, Injector Fuel Supply | 63       |
| M510-576-01 | Ring, Retaining            | 24       |
| M510-577-01 | Screw, Hexagon Head Cap    | 24       |
| M510-578-01 | Retainer, Fan Hub          | 24       |
| M510-596-01 | Seal, Oil                  | 28       |
| M600-109-01 | Nut, Hexagon Flane         | 62       |
| M600-730-01 | Clamp, Hose                | 18       |
| M600-730-01 | Clamp, Hose                | 70       |