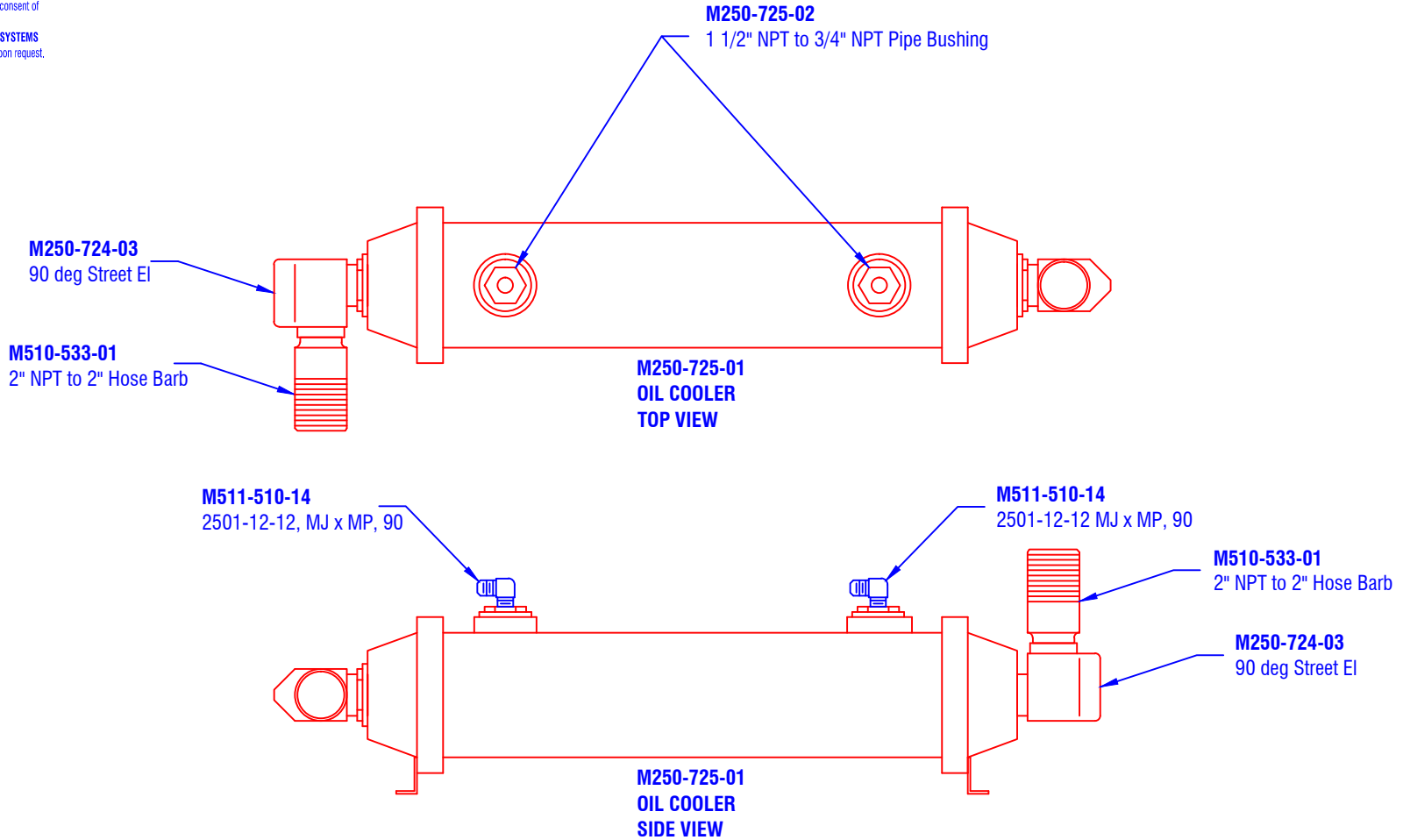


All data contained in this document is sole property of **DRY SYSTEMS TECHNOLOGIES** and is considered confidential and proprietary. This document may not be reproduced, released to third parties, or used for purposes other than for which it was furnished, without express written consent of **DRY SYSTEMS TECHNOLOGIES**. This document remains property of **DRY SYSTEMS TECHNOLOGIES** and must be returned upon request.



NOTE: FITTINGS SOLD SEPARATELY

SECTION 3-01

| | | | | | | | |
|---|-------------|---------------|----------------------|---|---|---------|--|
| TOLERANCES Linear unless noted Machined: ±0.005 Fabricated: ±0.01 Angular: ±1/2° Surface finish 125 | | | | DRY SYSTEMS TECHNOLOGIES 10420 RISING COURT WOODRIDGE, IL 60517 Phone: 630-427-2051 Fax: 630-427-1038 E-Mail: engg@dryssystemstech.com | DESCRIPTION TRANSMISSION OIL COOLER | NO RECD | |
| | SCALE | DATE | DRAWN BY | | APPROVED BY | | |
| | FULL | April 17 2018 | Ward Fox | | | | |
| | DRAWING NO: | | INSTALLATION DRAWING | | | | |