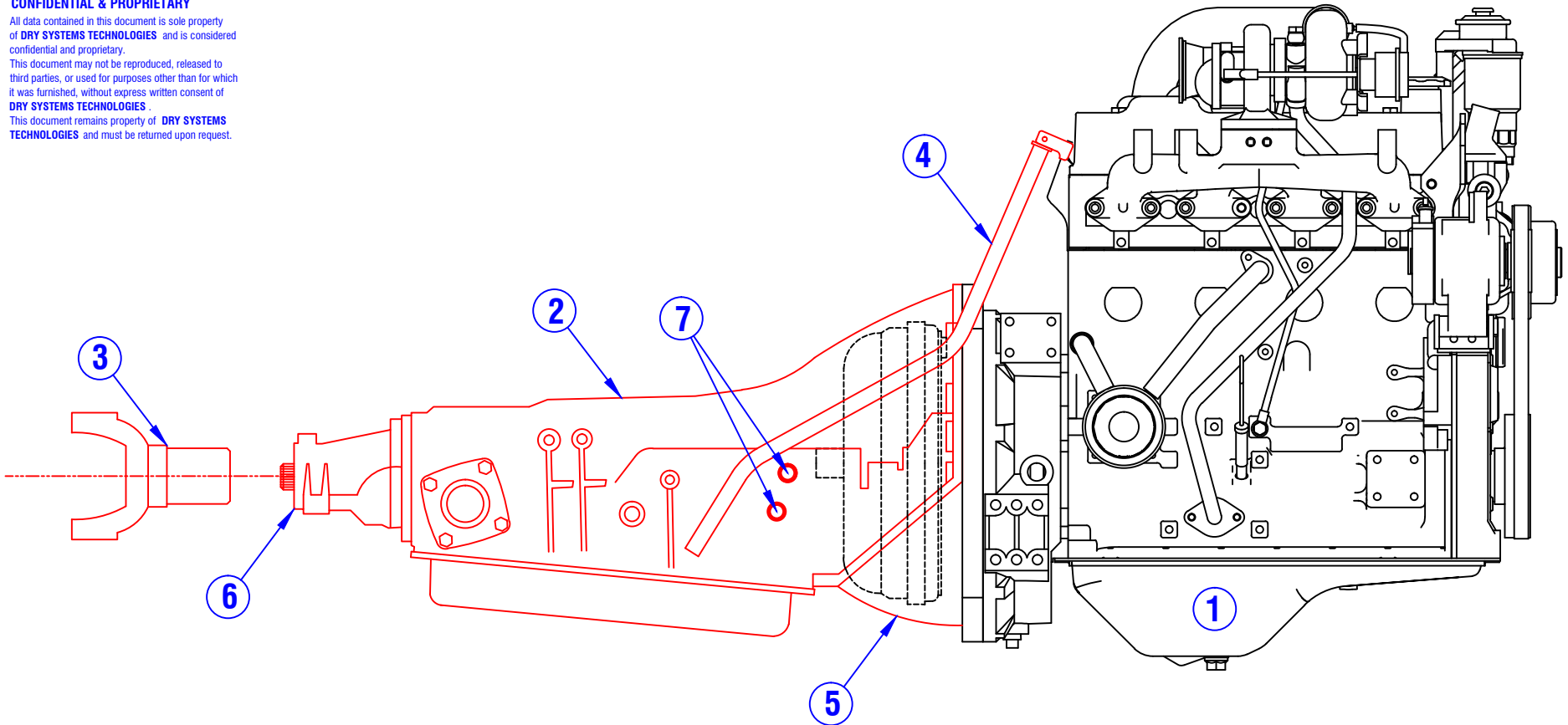


**CONFIDENTIAL & PROPRIETARY**

All data contained in this document is sole property of **DRY SYSTEMS TECHNOLOGIES** and is considered confidential and proprietary.

This document may not be reproduced, released to third parties, or used for purposes other than for which it was furnished, without express written consent of **DRY SYSTEMS TECHNOLOGIES**.

This document remains property of **DRY SYSTEMS TECHNOLOGIES** and must be returned upon request.



ITEM	PART NUMBER	QUAN.	DESCRIPTION
1	M500-220-01	1	ENGINE, CUMMINS 3.3
2	M379-500-03	1	TRANSMISSION
3	M379-500-06	1	YOKE, SLIP
4	M379-500-10	1	DIPSTICK, FILL TUBE ASSEMBLY
5	M379-500-15	1	DUST COVER
6	M379-500-16	1	REAR SEAL
7	M379-500-18	2	FITTING, TRANSMISSION COOLANT LINES

**SECTION 3-01**

**TOLERANCES**

Linear unless noted  
 Machined: ±0.005  
 Fabricated: ±0.02  
 Angular: ±1/2°  
 Surface finish 125

REV	DATE	NAME	DESCRIPTION

**DRY SYSTEMS TECHNOLOGIES**

10420 RISING COURT  
 WOODRIDGE, IL 60517  
 Phone: 630-427-2051 Fax: 630-427-1036  
 E-Mail: eng@drysystemstech.com

DESCRIPTION		TRANSMISSION	NO RECD
			1
SCALE	DATE	DRAWN BY	
Full	Oct. 11 2017	W Fox	
MATERIAL		APPROVED BY	
DRAWING NO		<b>TRANSMISSION</b>	

