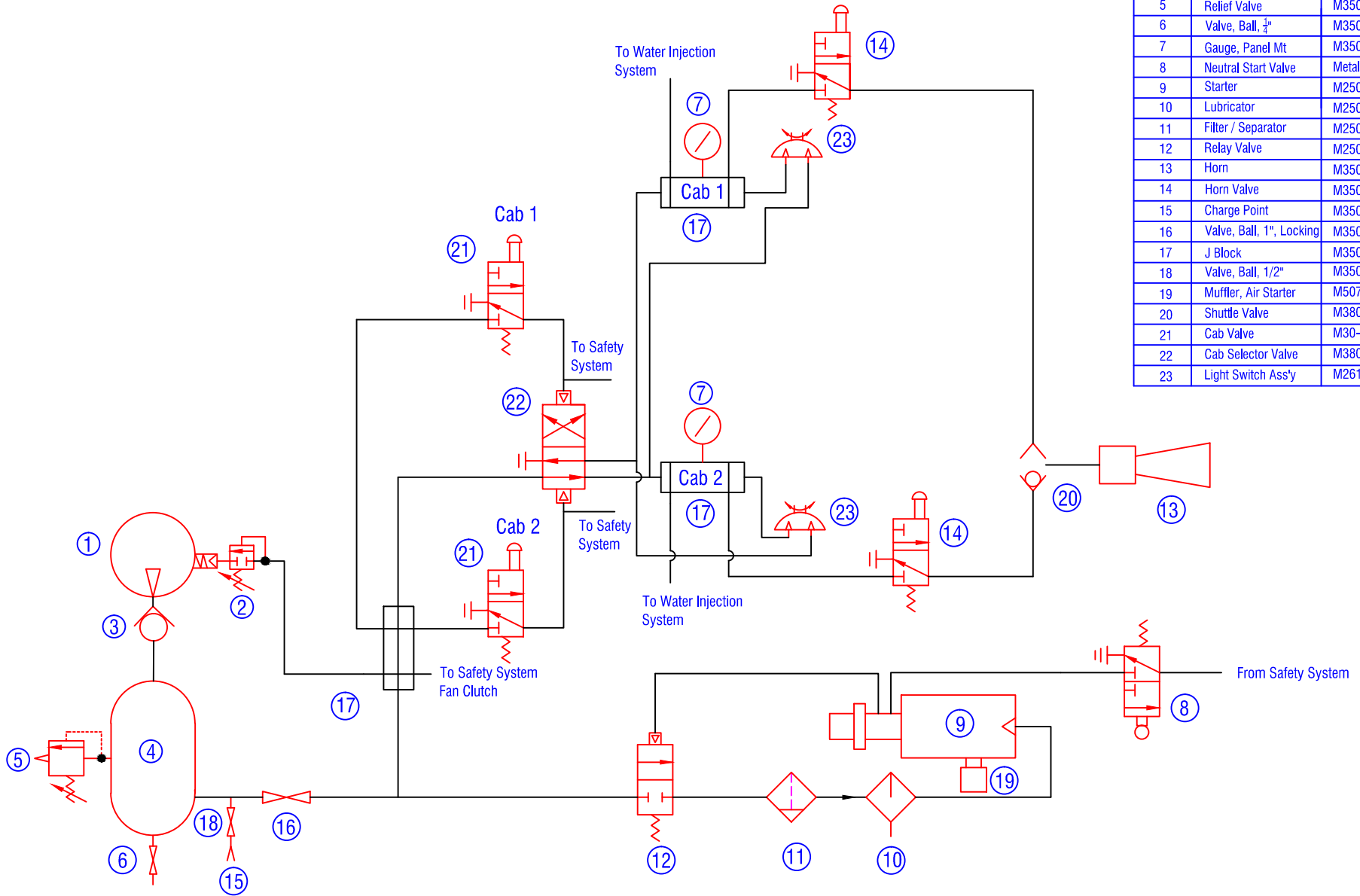


**CONFIDENTIAL & PROPRIETARY**  
 All data contained in this document is sole property of DRY SYSTEMS TECHNOLOGIES and is considered confidential and proprietary. This document may not be reproduced, released to third parties, or used for purposes other than for which it was furnished, without express written consent of DRY SYSTEMS TECHNOLOGIES. This document remains property of DRY SYSTEMS TECHNOLOGIES and must be returned upon request.

		PART NUMBER
1	Compressor	Supplied w/ Engine
2	Governor	M350-576-01
3	Check Valve	M350-577-01
4	Air Tank	M350-514-01
5	Relief Valve	M350-517-01
6	Valve, Ball, 1/4"	M350-573-01
7	Gauge, Panel Mt	M350-886-01
8	Neutral Start Valve	Metalliance
9	Starter	M250-510-01
10	Lubricator	M250-512-01
11	Filter / Separator	M250-513-01
12	Relay Valve	M250-511-01
13	Horn	M350-571-01
14	Horn Valve	M350-589-01
15	Charge Point	M350-574-01
16	Valve, Ball, 1", Locking	M350-575-02
17	J Block	M350-621-01
18	Valve, Ball, 1/2"	M350-579-01
19	Muffler, Air Starter	M507-682-01
20	Shuttle Valve	M380-501-01
21	Cab Valve	M30-558-21
22	Cab Selector Valve	M380-505-01
23	Light Switch Ass'y	M261-561-02



**SECTION 3-01**

**TOLERANCES**  
 Linear unless noted  
 Machined: ±0.005  
 Fabricated: ±0.02  
 Angular: ±1/2°  
 Surface finish 125

REV	DATE	NAME	DESCRIPTION

**DRY SYSTEMS TECHNOLOGIES**  
 10420 RISING COURT  
 WOODRIDGE, IL 60517  
 Phone: 630-427-2051 Fax: 630-427-1036  
 E-Mail: [eng@drysystemstech.com](mailto:eng@drysystemstech.com)

DESCRIPTION		NO RECD	
<b>Air Start Circuit-Cummins 8.3</b>			
SCALE	DATE	DRAWN BY	APPROVED BY
NONE	Jan 3, 2018	R Gibbs	
MATERIAL		APPROVED BY	
DRAWING NO			
<b>M380-001-01</b>			

