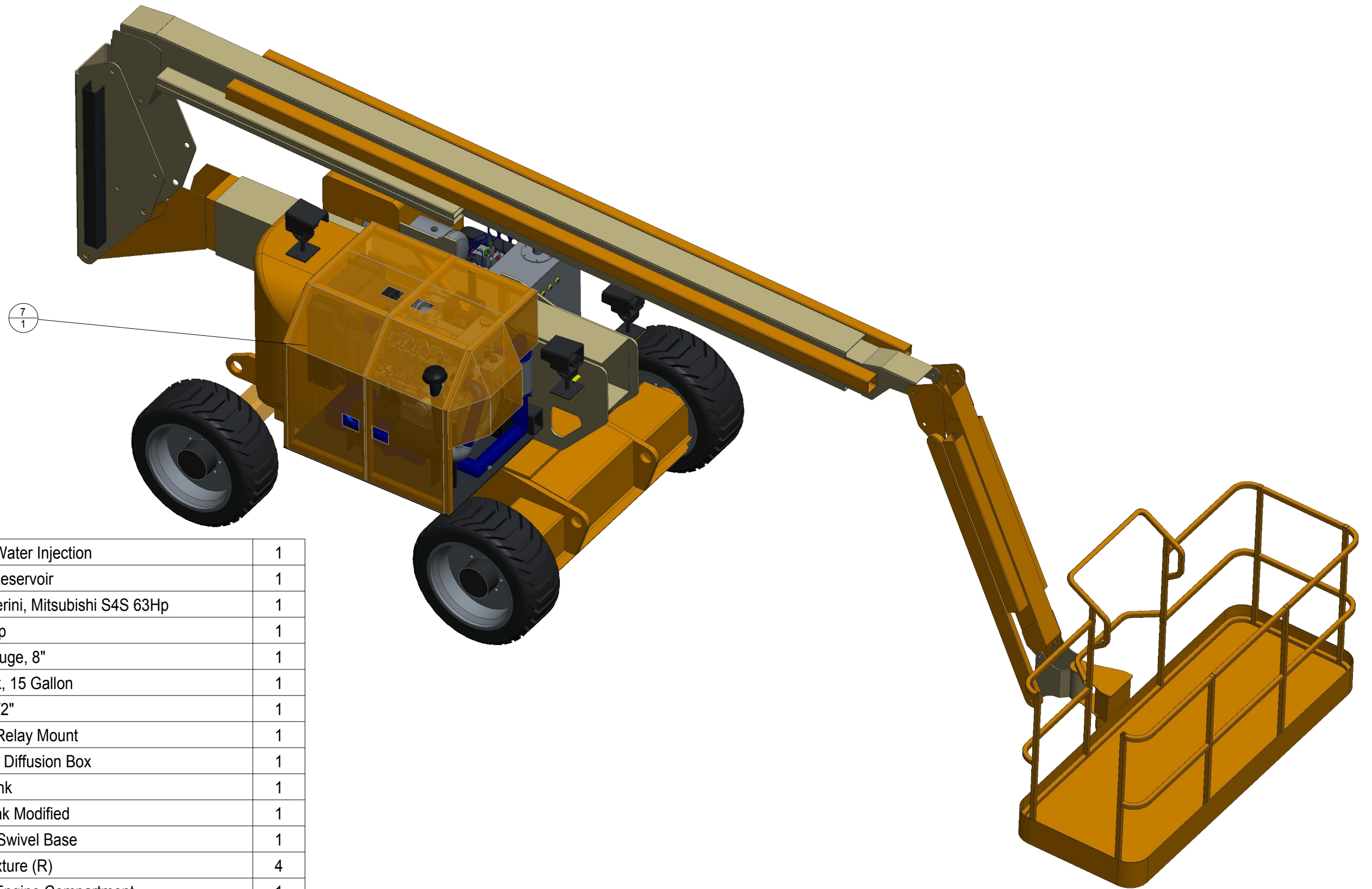


CONFIDENTIAL & PROPRIETARY  
 All data contained in this document is sole property  
 of DRY SYSTEMS TECHNOLOGIES and is considered  
 confidential and proprietary.  
 This document may not be reproduced, released to  
 third parties, or used for purposes other than for which  
 it was furnished, without express written consent of  
 DRY SYSTEMS TECHNOLOGIES.  
 This document remains property of DRY SYSTEMS  
 TECHNOLOGIES and must be returned upon request.



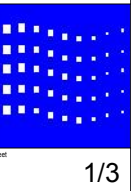
20	M64-610-01	Pump, Water Injection	1
19	M508-511-01	Water Reservoir	1
18	M501059	Tutor Perini, Mitsubishi S4S 63Hp	1
17	M500-545-01	Fuel Cap	1
16	M389-520-01	Fuel Gauge, 8"	1
15	M389-503-01	Air Tank, 15 Gallon	1
14	M389-280-03	Plate, 1/2"	1
13	M389-280-01	Starter Relay Mount	1
12	M389-250-01	Exhaust Diffusion Box	1
11	M389-240-01	Fuel Tank	1
10	M388-280-01	Hyd Tank Modified	1
9	M388-270-01	Engine Swivel Base	1
8	M388-261-01	Light Fixture (R)	4
7	M388-230-01	Cover, Engine Compartment	1
6	M387-523-01	Kit, Air Compressor, Hyd Drive	1
5	M350-261-01	J-Block 4x6	1
4	M250-555-11	Safety Shutdown Assembly	1
3	M150-517-01	Air Filter, 1" NPT	1
2	M150-516-01	Air Lubricator, 1" NPT	1
1	M150-515-01	Valve, Air Relay, 1" NPT	1
ITEM	PART NUMBER	DESCRIPTION	QTY

TOLERANCES  
 Linear unless noted  
 Machined:  $\pm 0.005$   
 Fabricated:  $\pm 0.01$   
 Angular:  $\pm 1/2^\circ$   
 Surface finish 125  
 Third angle projection

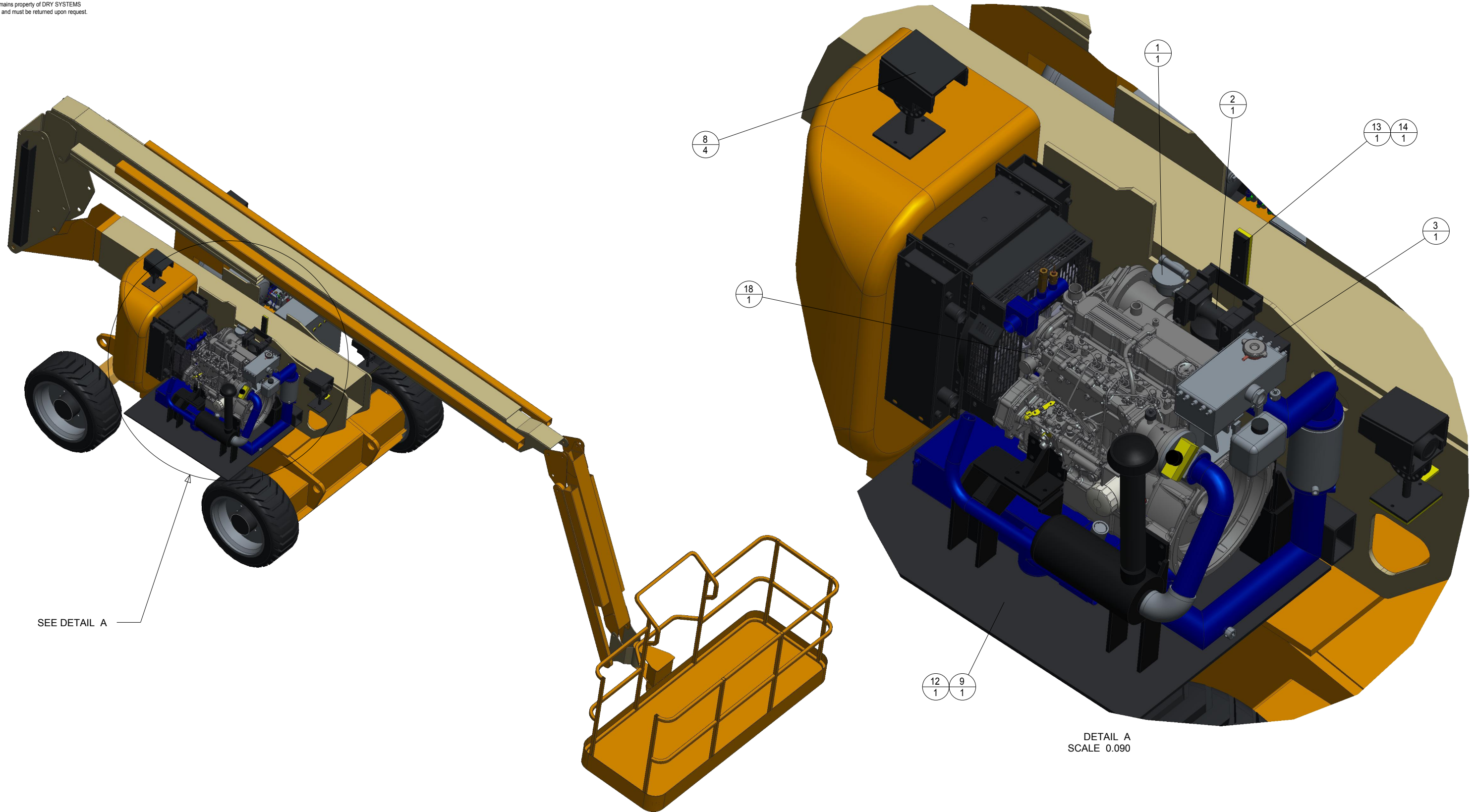
REV	DATE	NAME	DESCRIPTION

**DRY SYSTEMS TECHNOLOGIES**  
 10420 RISING COURT  
 WOODRIDGE, IL 60517  
 Phone: 630-427-2051  
 Fax: 630-427-1036  
 E-Mail: eng@drysystemstech.com

Description		No. Reqd	
DST - JLG 600AJ			
Scale	Date	Drawn By	
0.040	9/16/2019	JLW	
Material	See BOM		Approved By
Drawing No.	M400520		Sheet
			1/3



CONFIDENTIAL & PROPRIETARY  
 All data contained in this document is sole property  
 of DRY SYSTEMS TECHNOLOGIES and is considered  
 confidential and proprietary.  
 This document may not be reproduced, released to  
 third parties, or used for purposes other than for which  
 it was furnished, without express written consent of  
 DRY SYSTEMS TECHNOLOGIES.  
 This document remains property of DRY SYSTEMS  
 TECHNOLOGIES and must be returned upon request.



DETAIL A  
 SCALE 0.090

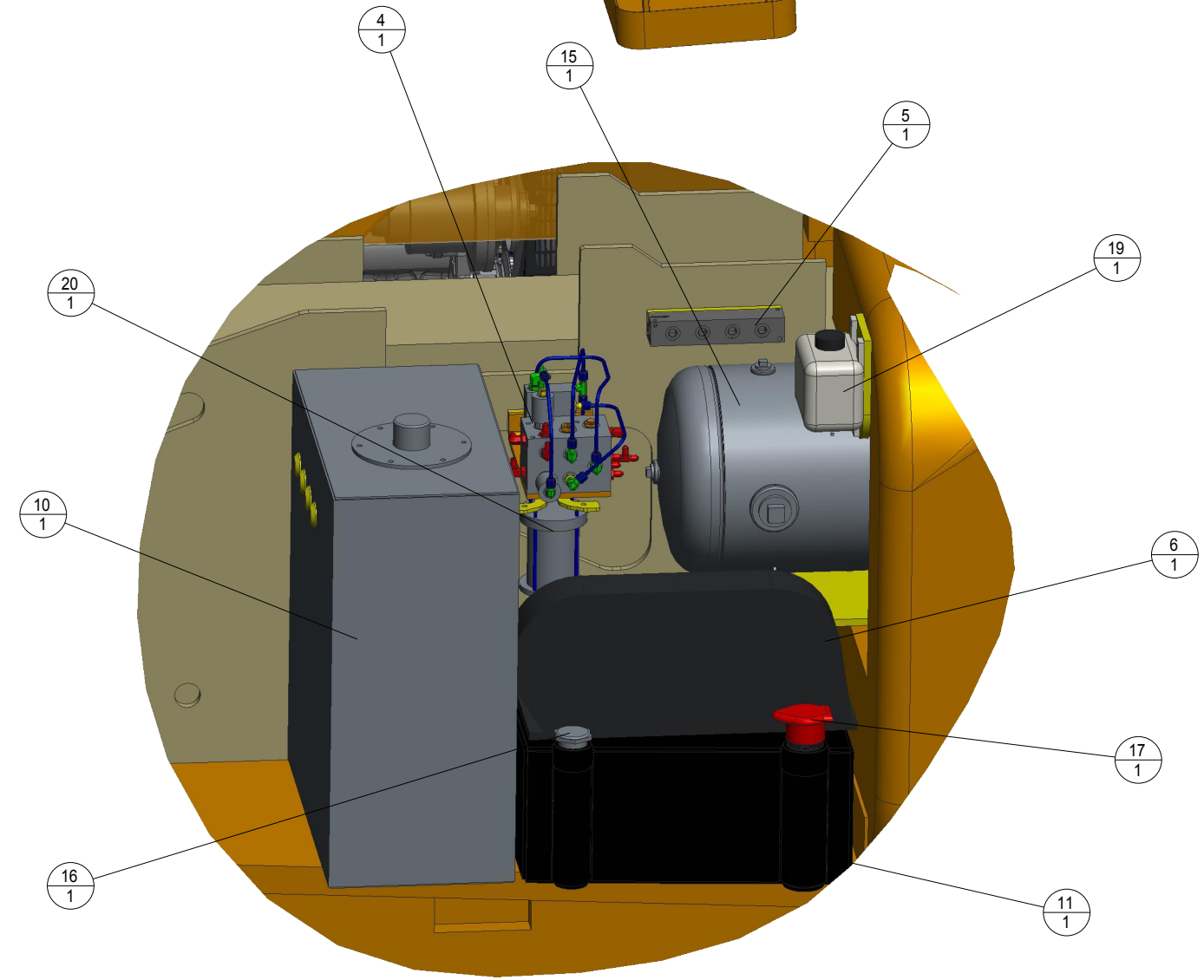
<b>TOLERANCES</b> Linear unless noted Machined: $\pm 0.005$ Fabricated: $\pm 0.01$ Angular: $\pm 1/2^\circ$ Surface finish 125 Third angle projection	REV	DATE	NAME	DESCRIPTION	<b>DRY SYSTEMS TECHNOLOGIES</b> 10420 RISING COURT WOODRIDGE, IL 60517 Phone: 630-427-2051 Fax: 630-427-1036 E-Mail: eng@drysystemstech.com	Description <b>DST - JLG 600AJ</b> No. Rept.		
	Scale 0.030		Date 9/16/19	Drawn By JLW		Material See BOM	Approved By	
	Drawing No.		M400520					
						2/3		



CONFIDENTIAL & PROPRIETARY  
 All data contained in this document is sole property of DRY SYSTEMS TECHNOLOGIES and is considered confidential and proprietary.  
 This document may not be reproduced, released to third parties, or used for purposes other than for which it was furnished, without express written consent of DRY SYSTEMS TECHNOLOGIES.  
 This document remains property of DRY SYSTEMS TECHNOLOGIES and must be returned upon request.



SEE DETAIL B



DETAIL B  
 SCALE 0.090

TOLERANCES  
 Linear unless noted  
 Machined:  $\pm 0.005$   
 Fabricated:  $\pm 0.01$   
 Angular:  $\pm 1/2^\circ$   
 Surface finish 125  
 Third angle projection

REV	DATE	NAME	DESCRIPTION

**DRY SYSTEMS TECHNOLOGIES**  
 10420 RISING COURT  
 WOODRIDGE, IL 60517  
 Phone: 630-427-2051  
 Fax: 630-427-1036  
 E-Mail: eng@drysystemstech.com

Description <b>DST - JLG 600AJ</b>		No. Reqd.
Scale 0.030	Date 9/16/19	Drawn By JLW
Material See BOM		Approved By
Drawing No. <b>M400520</b>		Sheet

