

CONFIDENTIAL & PROPRIETARY

All data contained in this document is sole property of **DRY SYSTEMS TECHNOLOGIES** and is considered confidential and proprietary.

This document may not be reproduced, released to third parties, or used for purposes other than for which it was furnished, without express written consent of **DRY SYSTEMS TECHNOLOGIES**.

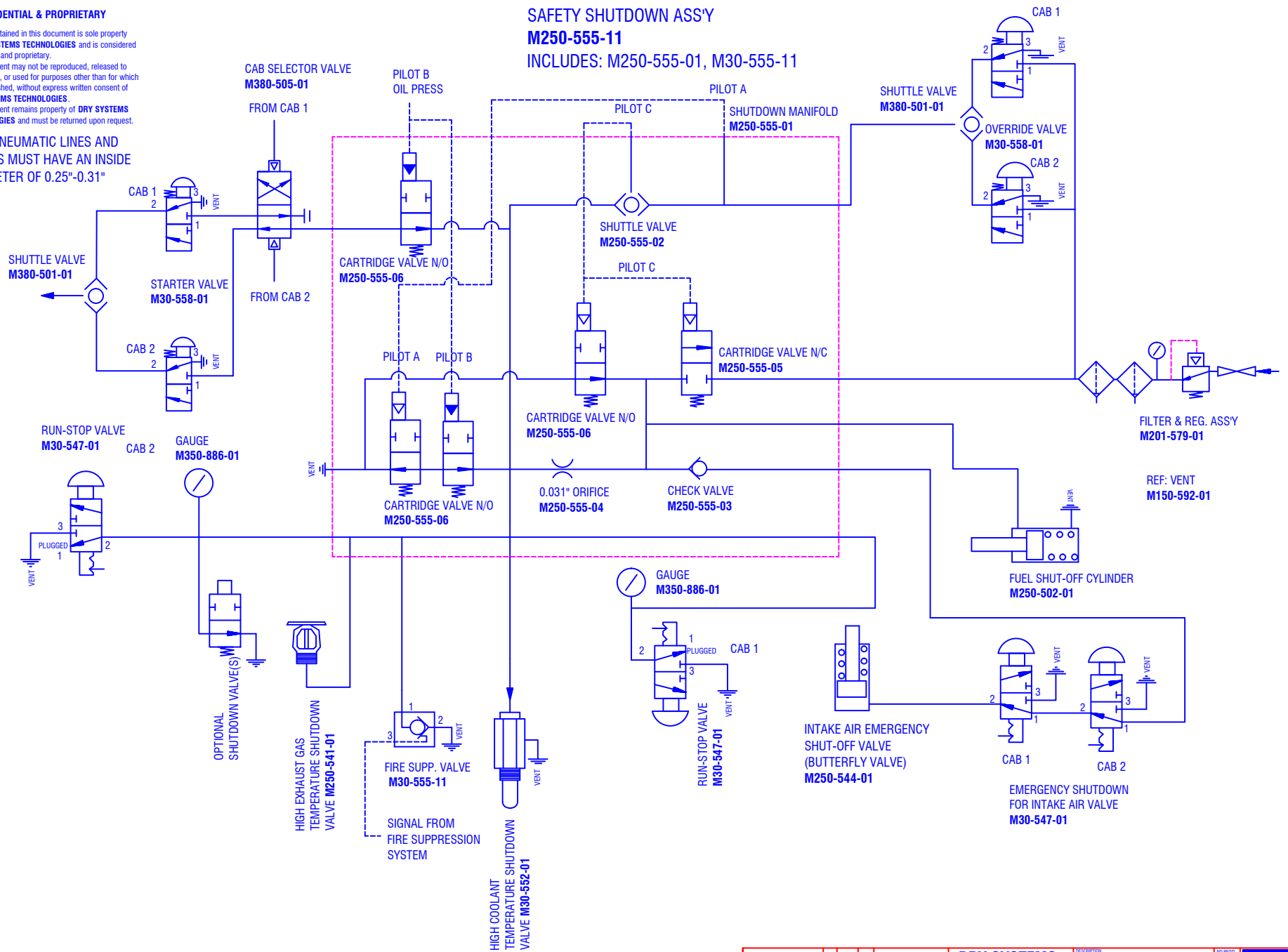
This document remains property of **DRY SYSTEMS TECHNOLOGIES** and must be returned upon request.

ALL PNEUMATIC LINES AND HOSES MUST HAVE AN INSIDE DIAMETER OF 0.25"-0.31"

SAFETY SHUTDOWN ASS'Y

M250-555-11

INCLUDES: M250-555-01, M30-555-11



TOLERANCES Linear unless noted Machined: ±0.005 Fabricated: ±0.02 Angular: ±1/2° Surface finish 125	DRY SYSTEMS TECHNOLOGIES 10420 RISING COURT WOODRIDGE, IL 60517 Phone: 630-427-2051 Fax: 630-427-1036 E-Mail: eng@dryssystemstech.com		SHUTDOWN SYSTEM SCALE: DATE: Oct 10, 2017 DRAWN BY: R GIBBS CHECKED BY: [] APPROVED BY: []		NO REVISIONS M250-019-03
	See Detail Drawings		APPROVED BY: []		
	PART NAME: SHUTDOWN SYSTEM		PART NUMBER: M250-019-03		
	DATE:		DRAWN BY:		