

**Dry Systems<sup>®</sup>**  
**Technologies**

Technology for a cleaner environment  
10420 Rising Court Woodridge, IL 60517

## **Customized Parts Catalog for Torque Converter Model**

**M350-500-01**

## Table of Contents

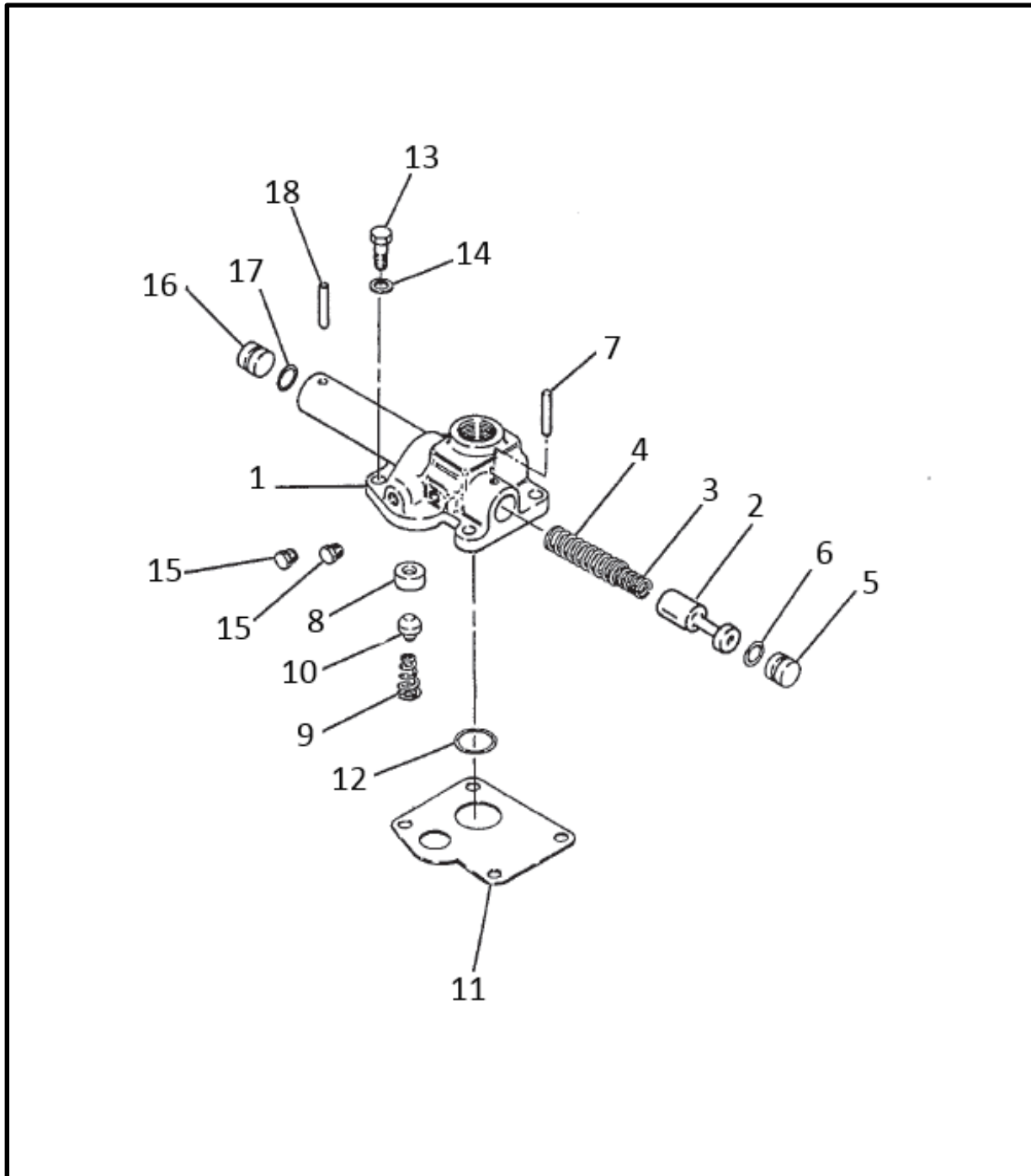
### Page No.

Torque Convertor Kit.....	1
Pressure Regulating Valve.....	2
Convertor Housing & Oil Baffle.....	4
Convertor Adapter Ring.....	6
Wheel Group.....	7
Flex Drive Plate - Kit.....	9
Stator Support.....	10
Turbine Shaft & Output Shaft.....	11
Charge Pump.....	13
Pump Drive.....	14
Pump Drive Sleeve & Snap Ring.....	16
Oil Filter & Adapter.....	17

## M350-500-01 TORQUE CONVERTER KIT

### CONSISTS OF –

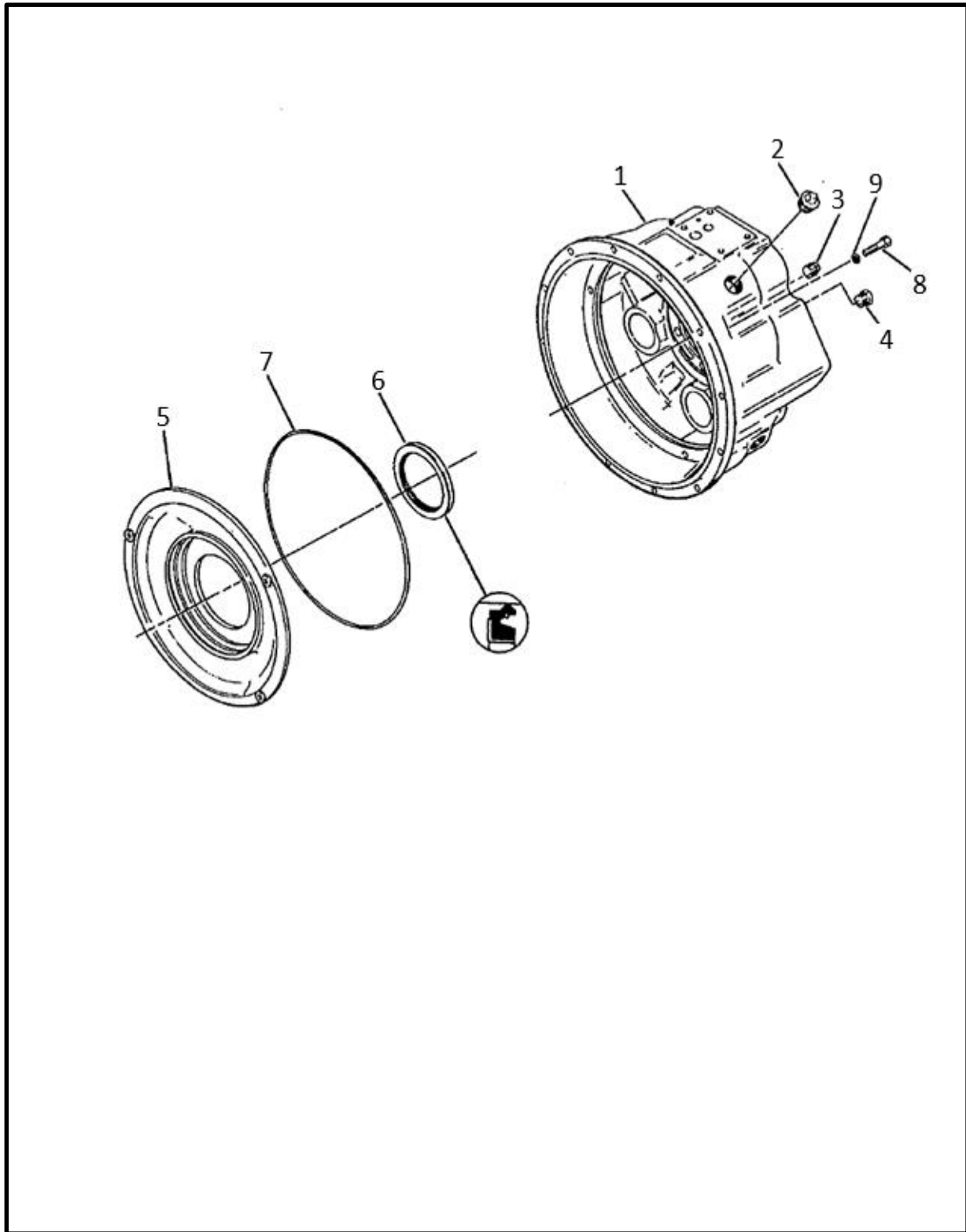
- M350-500-02 SCAVENGER / CHARGE PUMP, 1 REQD
- M350-500-03 SLEEVE, CHARGE PUMP, 1 REQD
- M350-500-04 CONVERTER ASSY, 1 REQD
- M350-650-01 SLEEVE, HYD PUMPS, 2 REQD
- M350-592-01 TRANS FILTER ASSY, 1 REQD
- M500-538-01 FLEX PLATE KIT
- M505-563-01 BREATHER ( Not used on machines  
With scavenge pump )

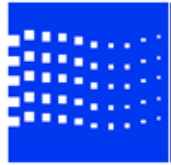




<u>Item</u>	<u>Qty</u>	<u>Part Number</u>	<u>Description</u>
1	1	M350-500-10	ASSY – REGULATOR VALVE – INC. ITEM 2 THRU 8, 16,17,18
2	1	M350-500-11	VALVE PISTON – PART OF ITEM 1
3	1	M350-500-12	PRESSURE – REGULATOR SPRING – PART OF ITEM 1
4	1	M350-500-13	VALVE SPRING OUTER – PART OF ITEM 1
5	1	M350-500-14	VALVE STOP – PART OF ITEM 1
6	1	M350-500-15	O-RING – PART OF ITEM 1
7	1	M350-500-16	VALVE STOP ROLL PIN – PART OF ITEM 1
8	1	M350-500-17	SAFETY VALVE SET – PART OF ITEM 1
9	1	M350-500-18	SPRING - VALVE
10	1	M350-500-19	PLUNGER - VALVE
11	1	M350-500-20	GASKET
12	1	M350-500-21	SEAL – O-RING
13	4	M350-500-22	ASSY – SCREW & LOCKWASHER – INCLUDES ITEM 14
14	4	N.S.S.	LOCKWASHER – PART OF ITEM 13
15	2	M350-500-23	PLUG - PIPE
16	1	M350-500-14	VALVE STOP – PART OF ITEM 1
17	1	M350-500-15	O-RING – PART OF ITEM 1
18	1	M350-500-16	VALVE STOP ROLL PIN – PART OF ITEM 1

N.S.S – Not Sold Separately



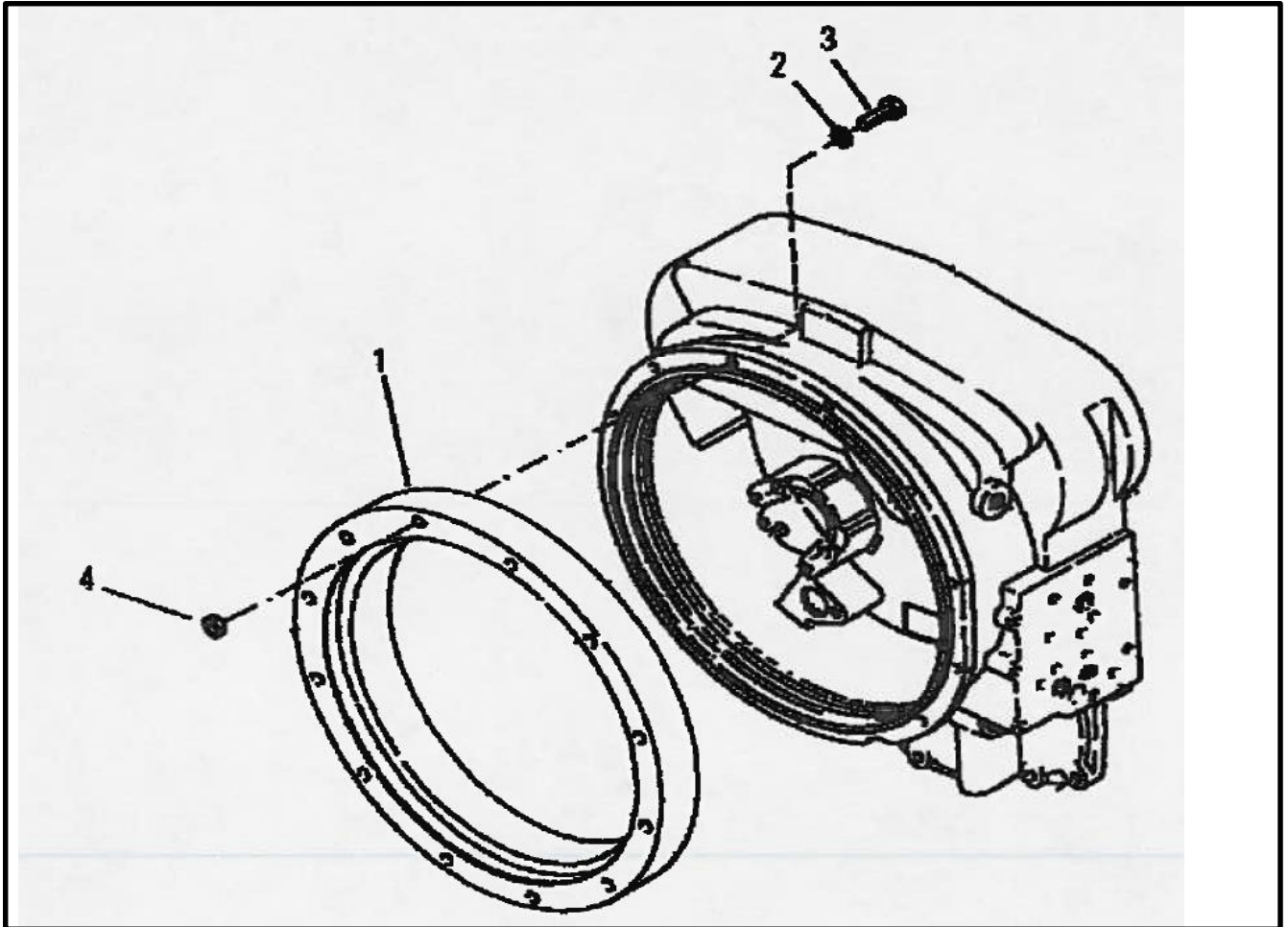


<u>Item</u>	<u>Qty</u>	<u>Part Number</u>	<u>Description</u>	
1	1	M350-500-24	HOUSING – CONVERTER – NEW STYLE – SEE NOTE	
2	4	M350-500-25	PIPE PLUG	
3	1	M350-500-26	PIPE PLUG	
4	1	M350-500-23	PIPE PLUG	
5	1	M350-500-27	BAFFLE KIT – BAFFLE & O-RING – Includes item 6	
6	1	M350-500-28	OIL SEAL – Part of item 5	
7	1	M350-500-29	O-RING	
8	3	M350-500-30	CAPSCREW	
9	3	M350-500-31	LOCKWASHER	
	2	M350-500-32	PLUG – SCREW TYPE	N.I.
	2	M350-500-33	BUSHING – ADJUSTING SENSOR	N.I.
	2	M350-500-34	O-RING	N.I.
	1	M350-500-35	PLUG	N.I.
	1	M350-500-36	PLUG	N.I.

### NOTE

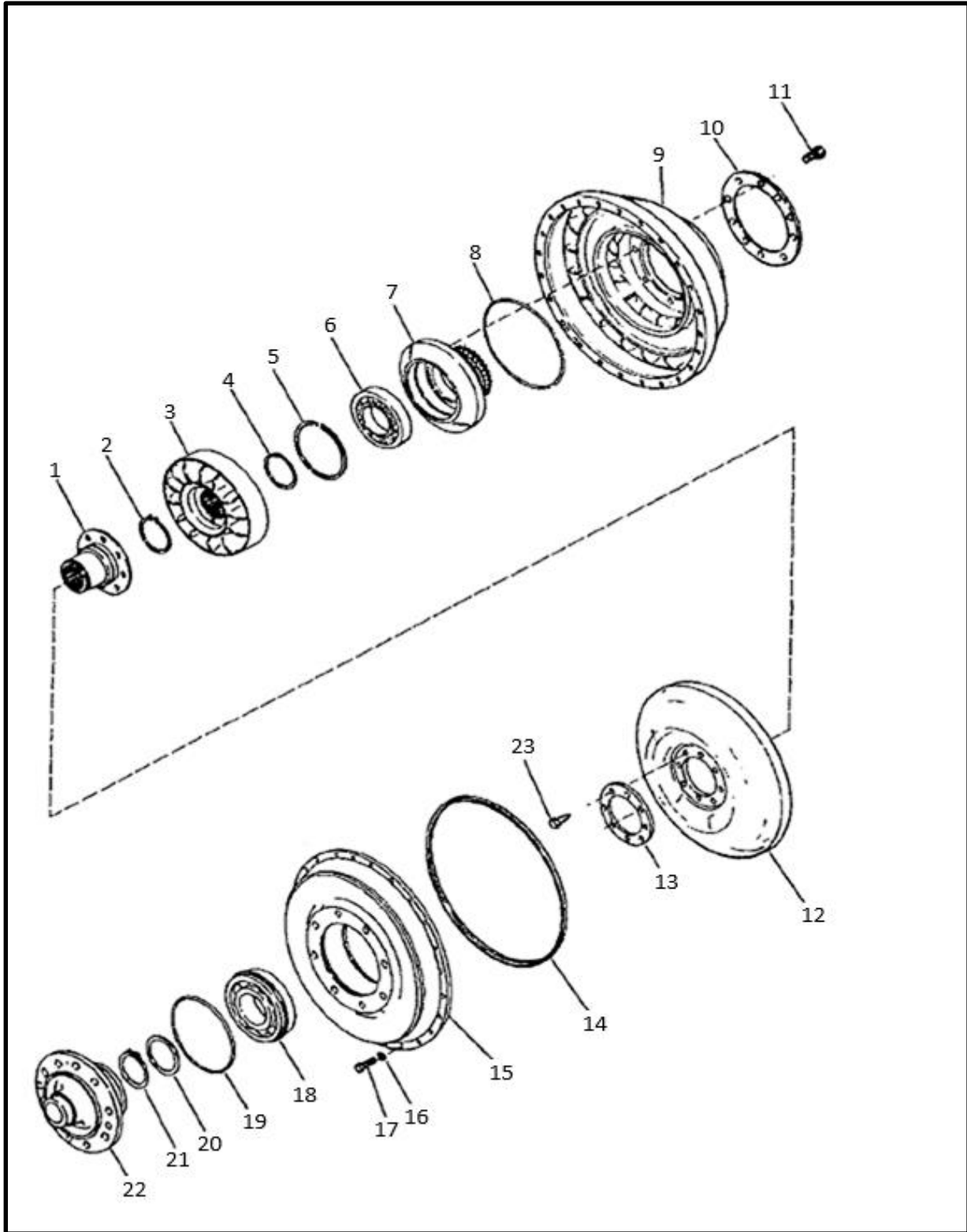
1	1	M500-500-09	HOUSING – CONVERTOR – OLD STYLE OLD STYLE HOUSING REQUIRES THE ADAPTER RING PART NO. M350-500-37 – SEE PAGE 6 FOR DETAILS NEW STYLE HOUSING DOES NOT REQUIRE ADAPTER RING
---	---	-------------	--

N.I. – Not Illustrated



<u>Item</u>	<u>Qty</u>	<u>Part Number</u>	<u>Description</u>
1	1	M350-500-37	RING – CONVERTER HOUSING ADAPTER – OLD STYLE ONLY
2	1	M350-500-31	LOCKWASHER
3	1	M350-500-38	CAPSCREW
4	1	M350-500-39	NUT

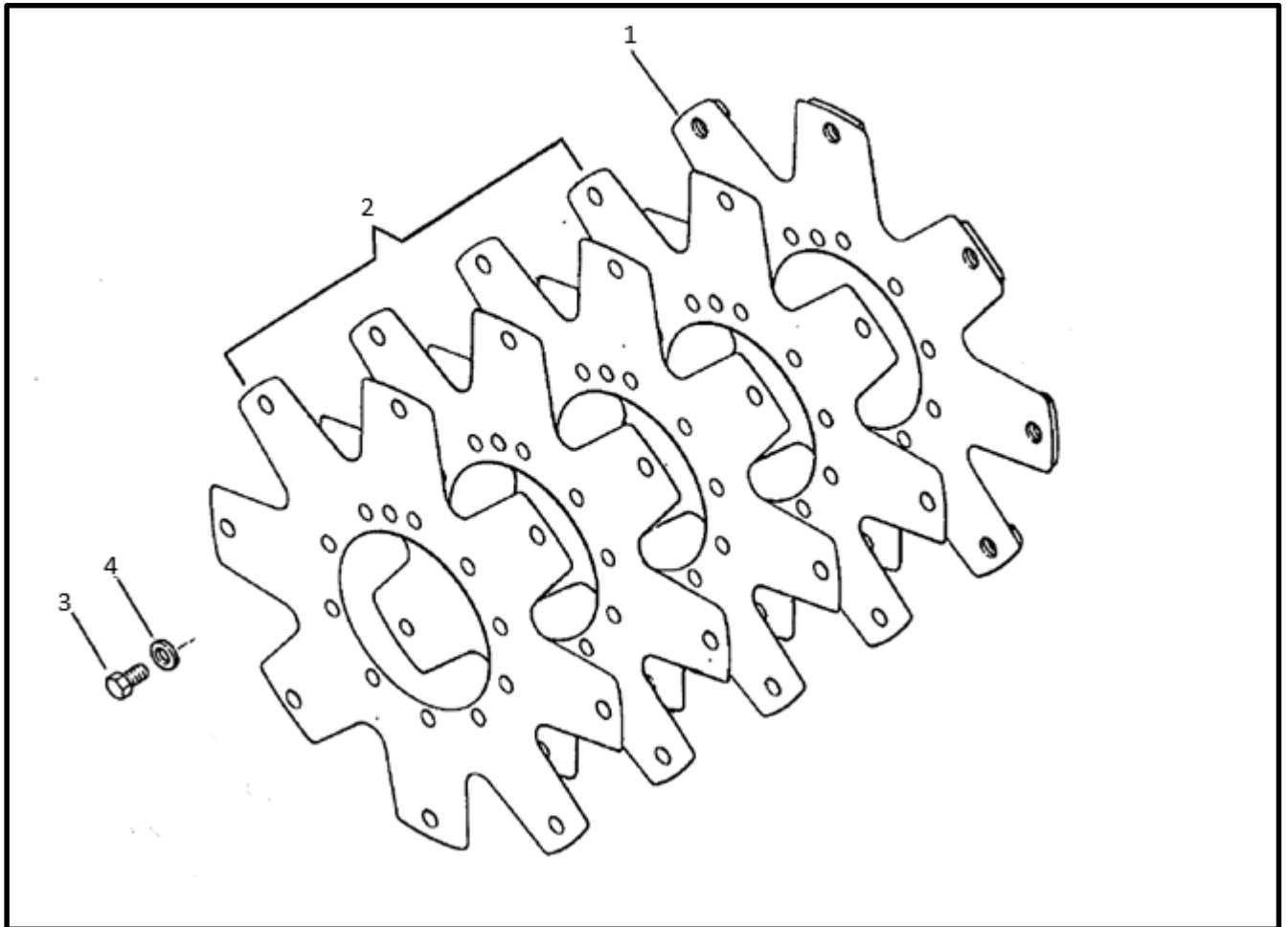






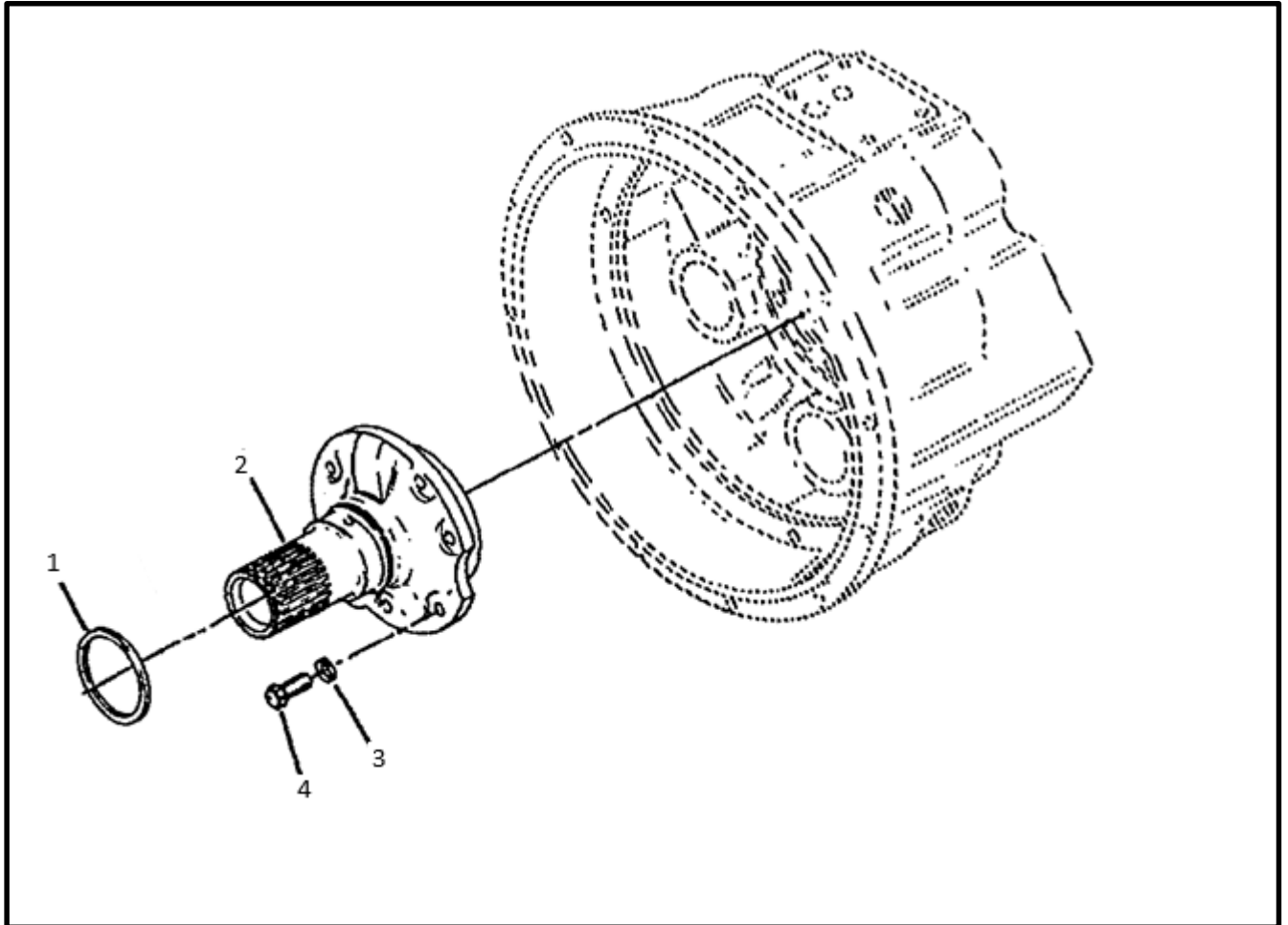
---

<u>Item</u>	<u>Qty</u>	<u>Part Number</u>	<u>Description</u>
1	1	M350-500-40	HUB – TURBINE
2	1	M350-500-41	RETAINING RING
3	1	M350-500-42	REACTION MEMBER
4	1	M350-500-43	SPACER – REACTION MEMBER
5	1	M350-500-44	BEARING SNAP RING
6	1	M350-500-45	BEARING
7	1	M350-500-46	HUB – IMPELLER
8	1	M350-500-47	O-RING
9	1	M350-500-48	IMPELLER
10	1	M350-500-49	RING – IMPELLER HUB SCREW BACKING
11	12	M350-500-50	SCREW – HUB TO IMPELLER
12	1	M182-502-01	TURBINE
13	1	M350-500-51	RING – TURBINE HUB SCREW BACKING
14	1	M182-504-01	SEALING RING
15	1	M350-500-52	COVER – IMPELLER
16	24	M350-500-31	LOCKWASHER
17	24	M350-500-53	CAPSCREW
18	1	M350-500-54	BAL BEARING
19	1	M350-500-55	O-RING
20	1	M350-500-56	WASHER – BEARING
21	1	M350-500-57	RETAINING RING
22	1	M350-500-58	CAP – IMPELLER COVER BEARING
23	8	M350-500-59	CAPSCREW

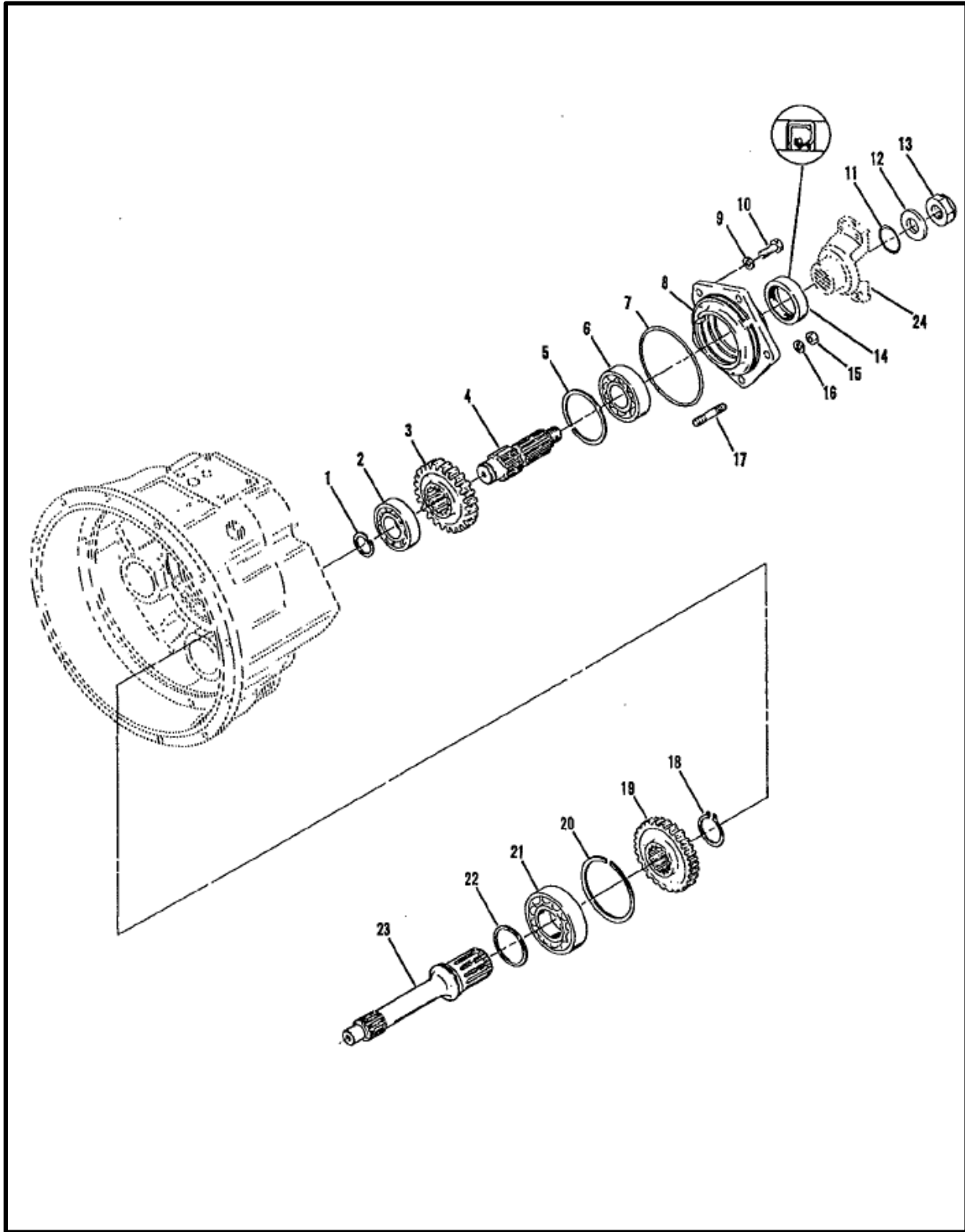


<u>Item</u>	<u>Qty</u>	<u>Part Number</u>	<u>Description</u>
1	1	M500-538-01	KIT – DRIVE PLATE – Includes items 2 thru 4
2	4	N.S.S.	PLATE - DRIVE – Included in item 1
3	10	M500-538-02	SELF LOCKING SCREW
4	10	M500-538-03	FLYWHEEL COUPLING WASHER

N.S.S – Not Sold Separately



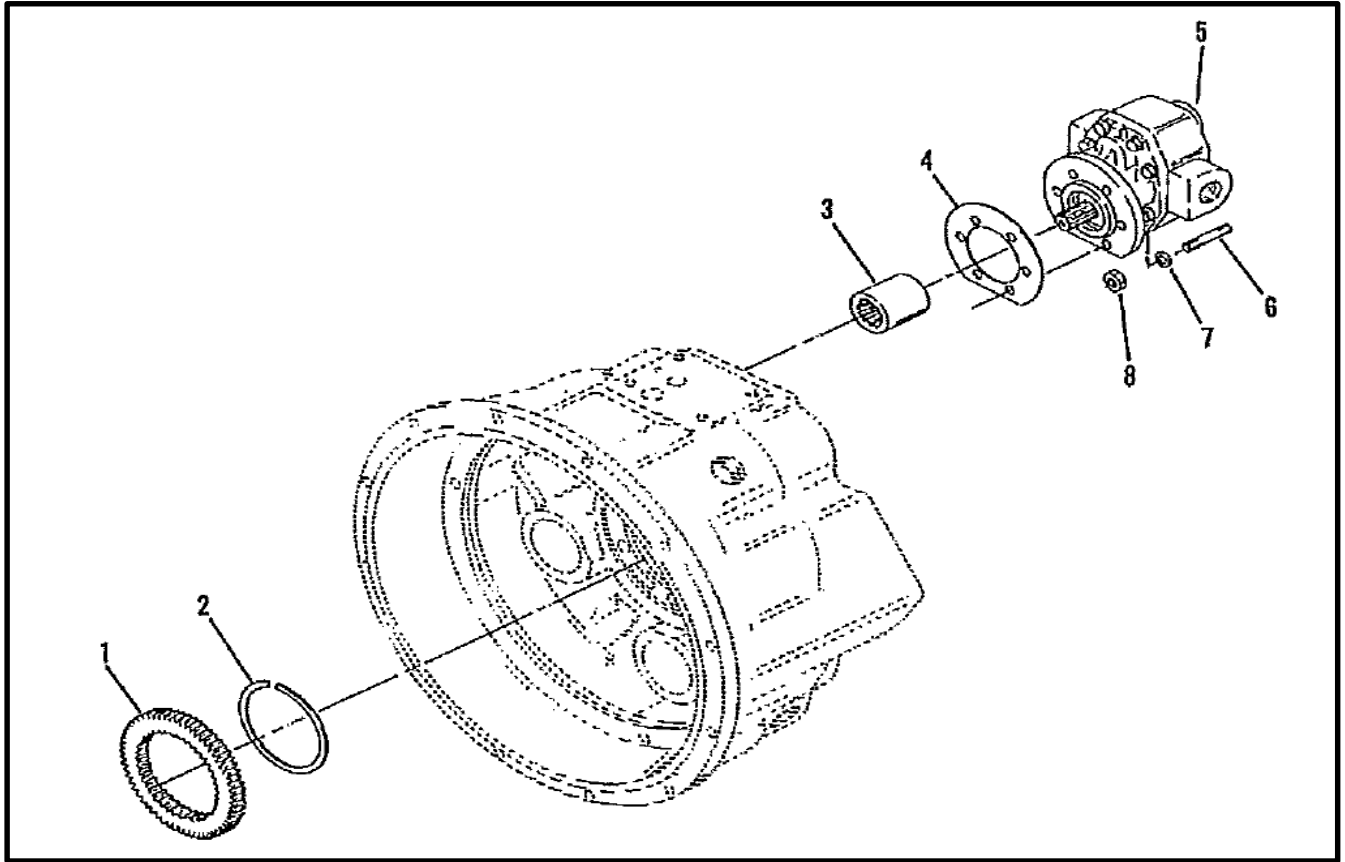
<u>Item</u>	<u>Qty</u>	<u>Part Number</u>	<u>Description</u>
1	1	M350-500-60	RING – PISTON
2	1	M350-500-61	STATOR SUPPORT & SLEEVE ASSEMBLY
3	6	M350-500-62	LOCKWASHER
4	6	M350-500-63	CAPSCREW



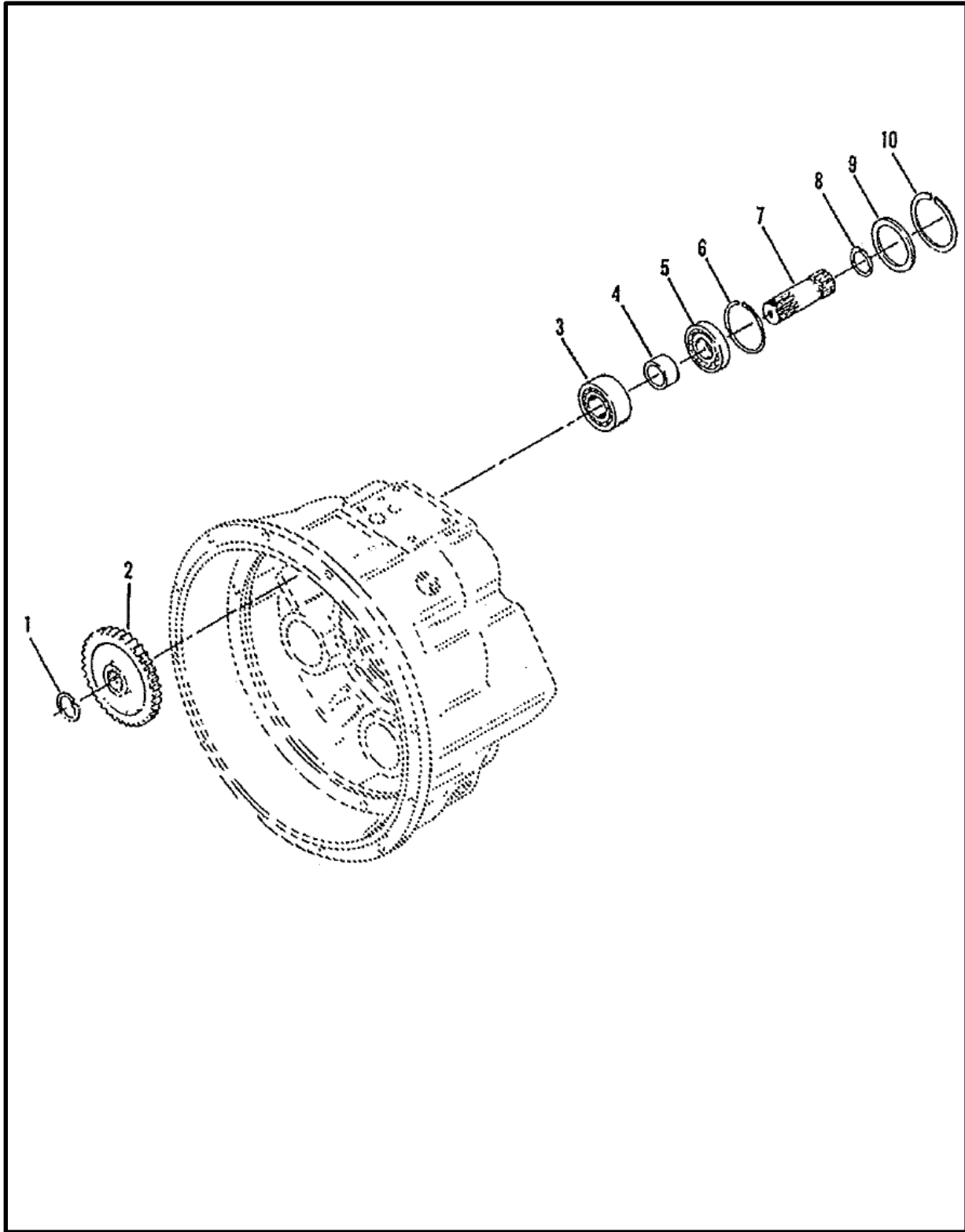


---

<u>Item</u>	<u>Qty</u>	<u>Part Number</u>	<u>Description</u>
1	1	M350-500-64	BEARING SNAP RING
2	1	M350-500-65	OUTPUT SHAFT FRONT BEARING
3	1	M350-500-06	OUTPUT SHAFT GEAR
4	1	M350-500-66	OUTPUT SHAFT
5	1	M350-500-67	OUTPUT SHAFT BEARING SNAP RING
6	1	M350-500-68	OUTPUT SHAFT REAR BEARING
7	1	M350-500-55	BEARING RETAINER O-RING
8	1	M350-500-70	BEARING RETAINER
9	3	M350-500-71	BEARING RETAINER SCREW LOCKWASHER
10	3	M350-500-72	BEARING RETAINER SCREW
11	1	M508-550-01	OUTPUT SHAFT O-RING
12	1	M508-548-01	OUTPUT SHAFT WASHER
13	1	M508-549-01	OUTPUT SHAFT NUT
14	1	M350-500-73	BEARING RETAINER OIL SEAL
15	2	M350-500-74	BEARING RETAINER STUD NUT
16	2	M350-500-71	BEARING RETAINER OIL LOCKWASHER
17	2	M350-500-75	BEARING RETAINER STUD
18	1	M350-500-76	GEAR SNAP RING
19	1	M350-500-07	TURBINE SHAFT GEAR
20	1	M350-500-77	TURBINE SHAFT SNAP RING
21	1	M350-500-78	TURBINE SHAFT BEARING
22	1	M350-500-79	TURBINE SHAFT PISTON RING
23	1	M350-500-80	TURBINE SHAFT
24	1	M507-655-01	OUTPUT FLANGE



<u>Item</u>	<u>Qty</u>	<u>Part Number</u>	<u>Description</u>
1	1	M350-500-81	IMPELLER HUB GEAR
2	1	M350-500-82	IMPELLER HUB GEAR SNAP RING
3	1	M350-500-03	CHARGING PUMP SLEEVE
4	1	M350-659-01	CHARGING PUMP GASKET
5	1	M350-500-02	CONVERTER CHARGING PUMP
6	3	M350-500-83	PUMP MOUNTING STUD
7	3	M350-500-84	PUMP MOUNTING STUD LOCKWASHER
8	3	M350-500-85	PUMP MOUNTING STUD NUT

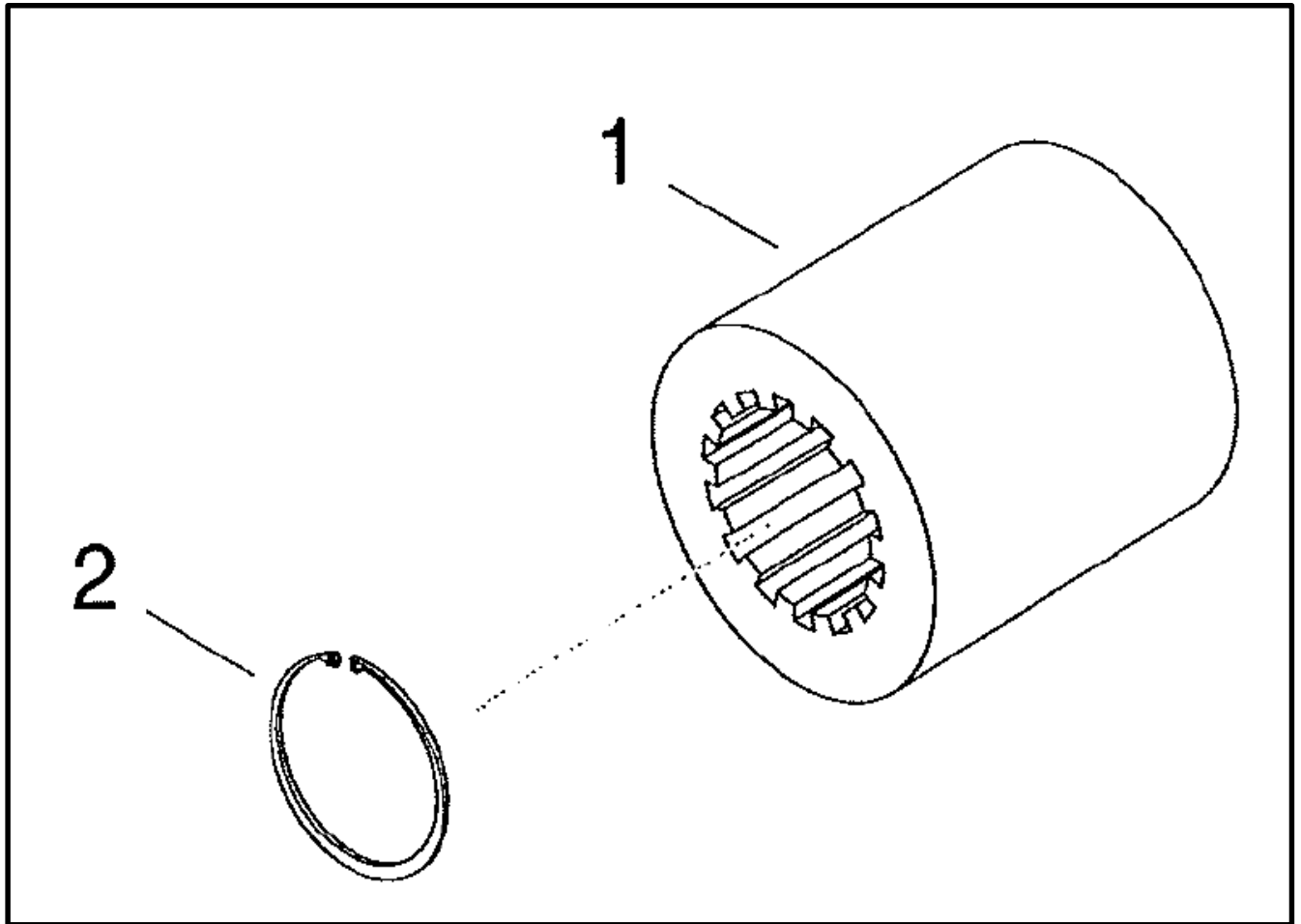




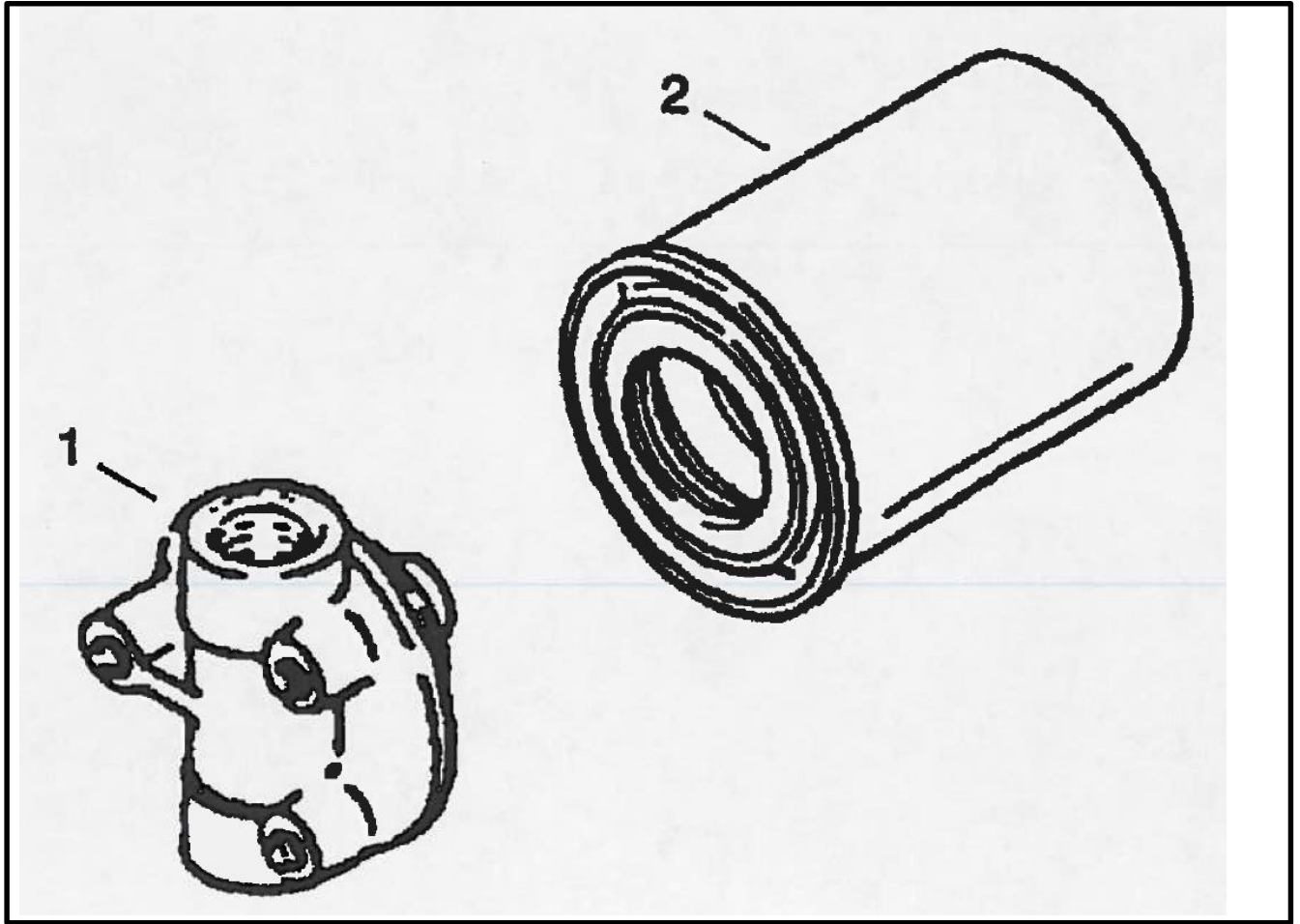


---

<u>Item</u>	<u>Qty</u>	<u>Part Number</u>	<u>Description</u>
1	1	M350-500-86	SNAP RING
2	1	M350-500-87	GEAR – PUMP DRIVE
3	1	M350-500-88	ROLLER BEARING
4	1	M350-500-89	PUMP SHAFT SPACER
5	1	M350-500-90	BALL BEARING
6	1	M350-500-91	SNAP RING
7	1	M350-500-92	SHAFT – PUMP DRIVE
8	1	M350-500-93	SNAP RING
9	1	M350-500-94	PUMP SHAFT WASHER
10	1	M350-500-95	SNAP RING



<u>Item</u>	<u>Qty</u>	<u>Part Number</u>	<u>Description</u>
	1	M350-650-01	SLEEVE ASSEMBLY includes Item 1 & 2
1	1	M350-650-02	SLEEVE – PUMP SHAFT
2	1	M350-650-03	SNAP RING



<u>Item</u>	<u>Qty</u>	<u>Part Number</u>	<u>Description</u>
	1	M350-592-01	TRANSMISSION FILTER ASSEMBLY Includes item 1 & 2
1	1	M350-592-02	ADAPTER – FILTER
2	1	M350-591-01	ASSEMBLY – OIL FILTER