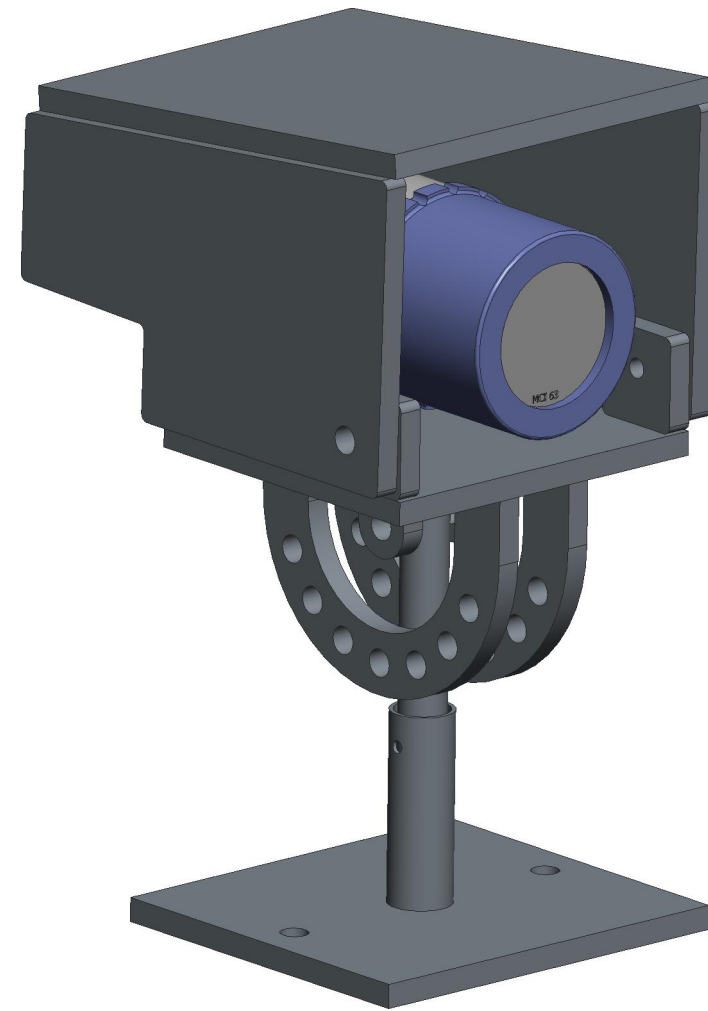
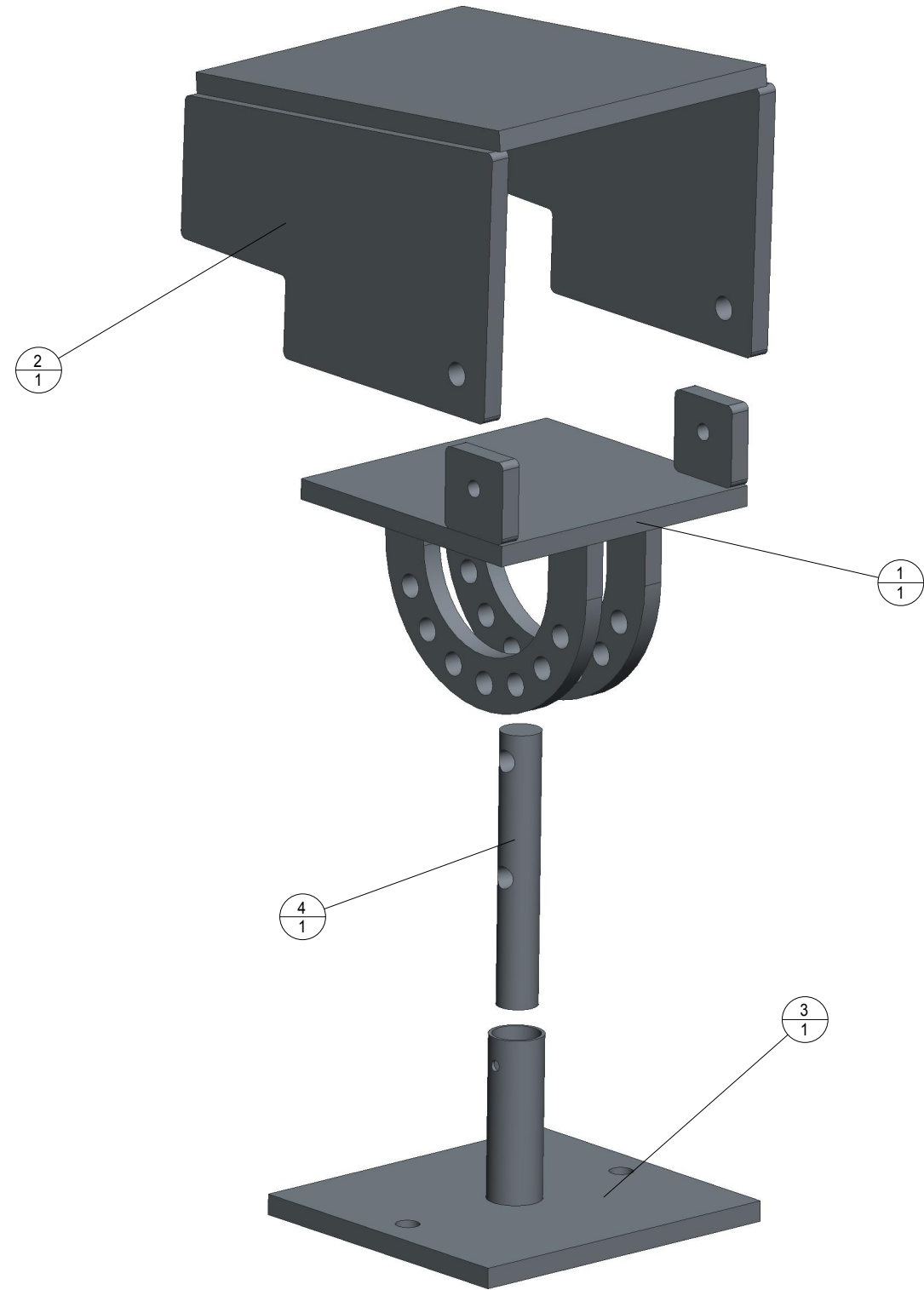


CONFIDENTIAL & PROPRIETARY
 All data contained in this document is sole property of DRY SYSTEMS TECHNOLOGIES and is considered confidential and proprietary.
 This document may not be reproduced, released to third parties, or used for purposes other than for which it was furnished, without express written consent of DRY SYSTEMS TECHNOLOGIES.
 This document remains property of DRY SYSTEMS TECHNOLOGIES and must be returned upon request.



4	M388-260-04	Tube, 3/4" OD	1
3	M388-260-01C	Light Mount	1
2	M388-260-01B	Light Cover	1
1	M388-260-01A	Swivel Mount	1
ITEM	PART NUMBER	DESCRIPTION	QTY

TOLERANCES
 Linear unless noted
 Machined: ± 0.005
 Fabricated: ± 0.01
 Angular: $\pm 1/2^\circ$
 Surface finish 125
 Third angle projection

REV	DATE	NAME	DESCRIPTION

DRY SYSTEMS TECHNOLOGIES
 10420 RISING COURT
 WOODRIDGE, IL 60517
 Phone: 630-427-2051
 Fax: 630-427-1036
 E-Mail: eng@drysystemstech.com

Description: **Headlight Mount**
 Scale: 0.350 Date: 9/24/19 Drawn By: JLW
 Material: See BOM Approved By:
 Drawing No. **M388-261-01** Sheet

