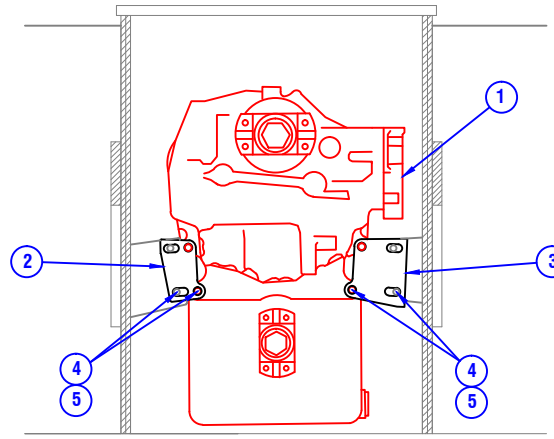
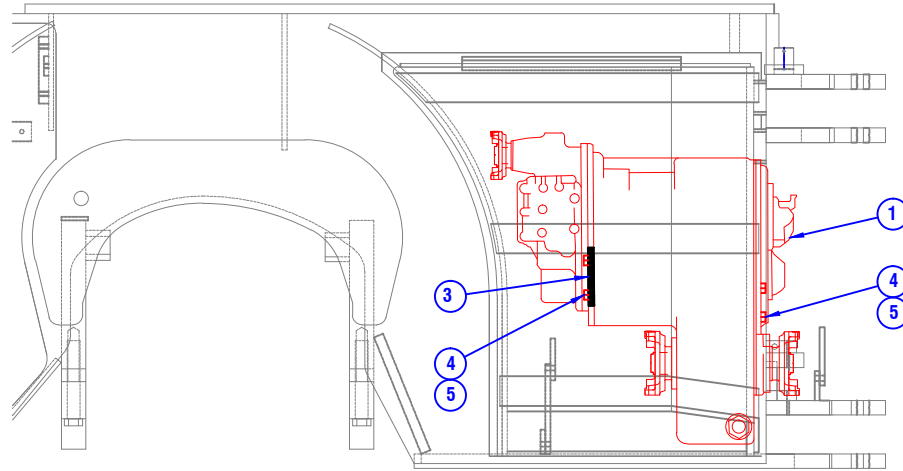


**CONFIDENTIAL & PROPRIETARY**

All data contained in this document is sole property of DRY SYSTEMS TECHNOLOGIES and is considered confidential and proprietary.

This document may not be reproduced, released to third parties, or used for purposes other than for which it was furnished, without express written consent of DRY SYSTEMS TECHNOLOGIES.

This document remains property of DRY SYSTEMS TECHNOLOGIES and must be returned upon request.



ITEM	PART NUMBER	QUAN.	DESCRIPTION
1	M350-501-01	1	TRANSMISSION
2	M350-289-00 L	1	LEFT SIDE TRANSMISSION MOUNT
3	M350-289-00 R	1	RIGHT SIDE TRANSMISSION MOUNT
4	M515-500-13	12	HEX HEAD CAPSCREW 3/4 - 10 X 2" GR8
5	M515-530-04	12	LOCK WASHER, 3/4

**TOLERANCES**

Linear unless noted  
 Machined: ±0.005  
 Fabricated: ±0.02  
 Angular: ±1/2°  
 Surface finish 125

**DRY SYSTEMS TECHNOLOGIES**

10420 RISING COURT  
 WOODRIDGE, IL 60517  
 Phone: 630-427-2051 Fax: 630-427-1036  
 E-Mail: [eng@dryssystemstech.com](mailto:eng@dryssystemstech.com)

DESCRIPTION: TRANSMISSION INSTALLATION

SCALE: Full DATE: APRIL 08 2015 DRAWN BY: Ward Fox

MATERIAL: APPROVED BY:

DRAWING NO: **M350-501-01**

**SECTION 3-02**

