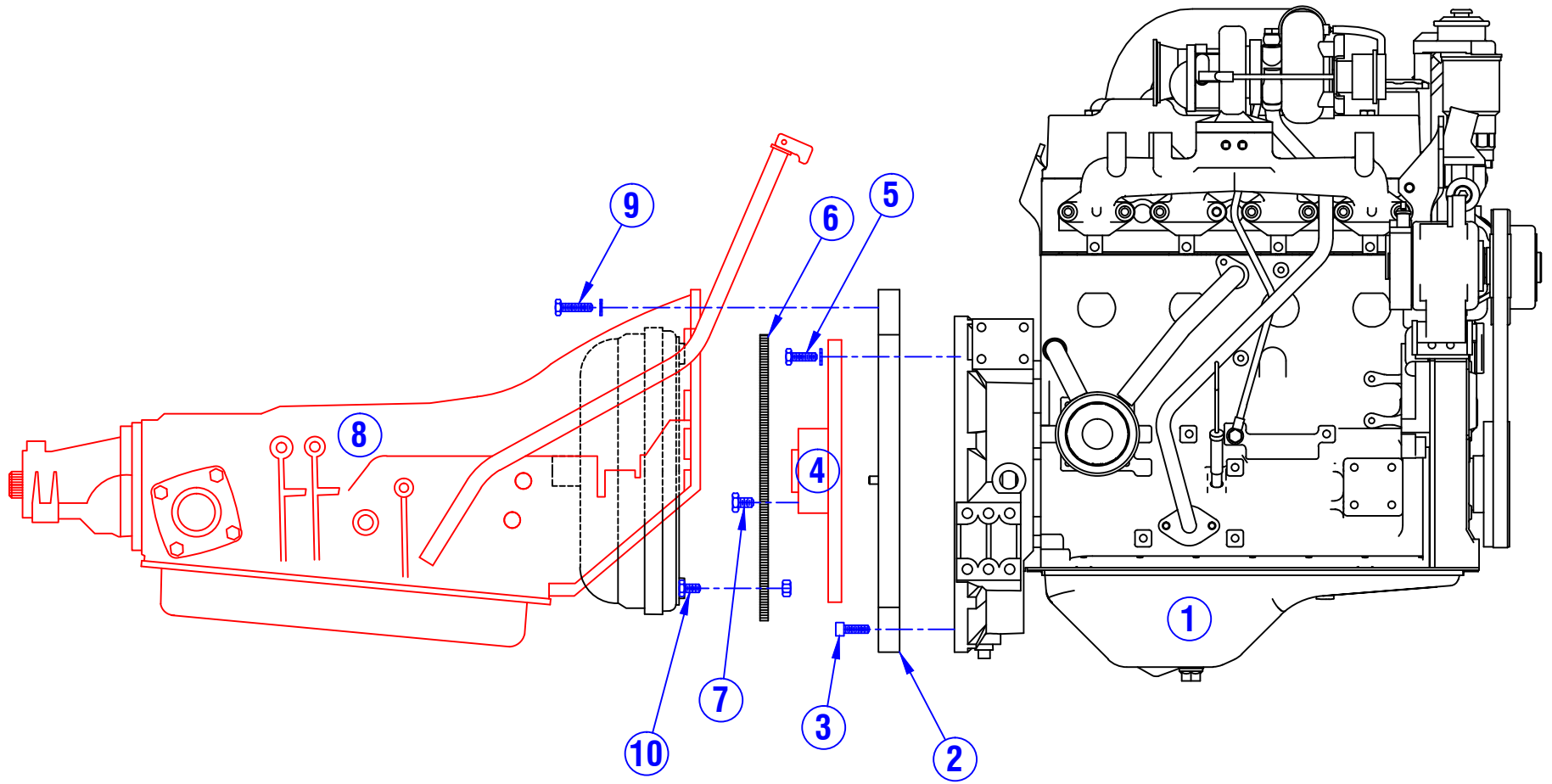


**CONFIDENTIAL & PROPRIETARY**

All data contained in this document is sole property of **DRY SYSTEMS TECHNOLOGIES** and is considered confidential and proprietary.

This document may not be reproduced, released to third parties, or used for purposes other than for which it was furnished, without express written consent of **DRY SYSTEMS TECHNOLOGIES**.

This document remains property of **DRY SYSTEMS TECHNOLOGIES** and must be returned upon request.

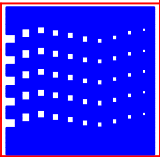


**SECTION 3-02**

TOLERANCES	
Linear unless noted	
Machined: $\pm 0.005$	
Fabricated: $\pm 0.02$	
Angular: $\pm 1/2^\circ$	
Surface finish 125	
REV	DATE

**DRY SYSTEMS TECHNOLOGIES**  
 10420 RISING COURT  
 WOODRIDGE, IL 60517  
 Phone: 630-427-2051 Fax: 630-427-1036  
 E-Mail: eng@dryssystemstech.com

DESCRIPTION		NO	RECD
TRANSMISSION INSTALLATION		1	
SCALE	DATE	DRAWN BY	
Full	Oct. 11 2017	W Fox	
MATERIAL		APPROVED BY	
DRAWING NO		TRANSMISSION	



### TRANSMISSION INSTALLATION

ITEM	PART NUMBER	QUAN.	DESCRIPTION	Notes
1	M500-220-01	1	Cummins 3.3T Engine	
2	M379-500-02	1	Adapter, Transmission to Flywheel Housing	
3	M515-500-51	9	Socket Head Cap Screw M10-1.5 x 30 GR 8	Torque 30 ft lb
4	M379-500-01	1	Adapter, Flex Plate to Flywheel	
5	M250-107-03	8	Hex Head Cap Screw M10-1.5 x 30 GR 8	Torque 30 ft lb
	M150-535-01	8	Lock Washer, M10	
6	M379-500-11	1	Flex Plate	
7	M379-500-12	1 set	Flex Plate Bolts	
8	M379-500-03	1	Transmission	
9	M515-500-23	6	Hex Head Cap Screw 3/8-16 x 1 1/2 GR 8	Trans to Adapter, Torque 26 ft lb
	M379-520-04	6	Nord Locks, 3/8	
10	M515-500-18	3	Hex Head Cap Screw 3/8-16 x 3/4 GR 8	Torque Convertor to Flex Plate
	M515-560-19	3	Nut, Top Lock, 3/8	