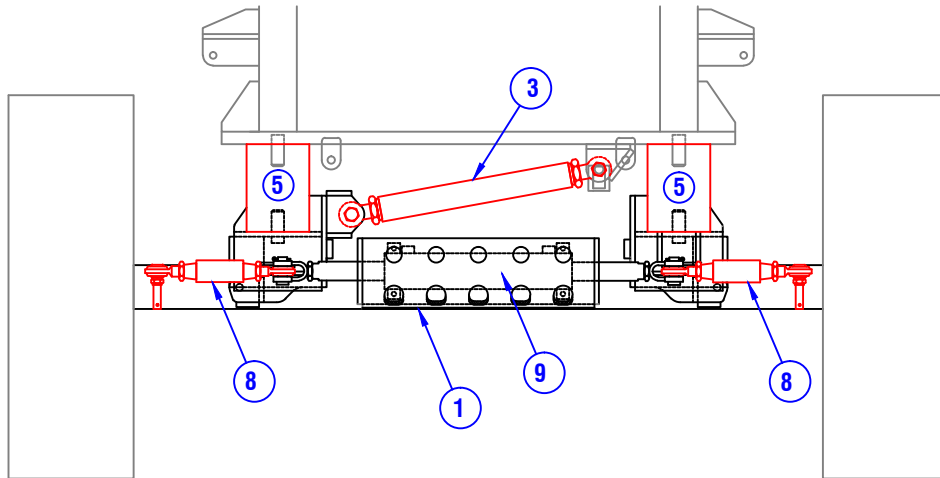
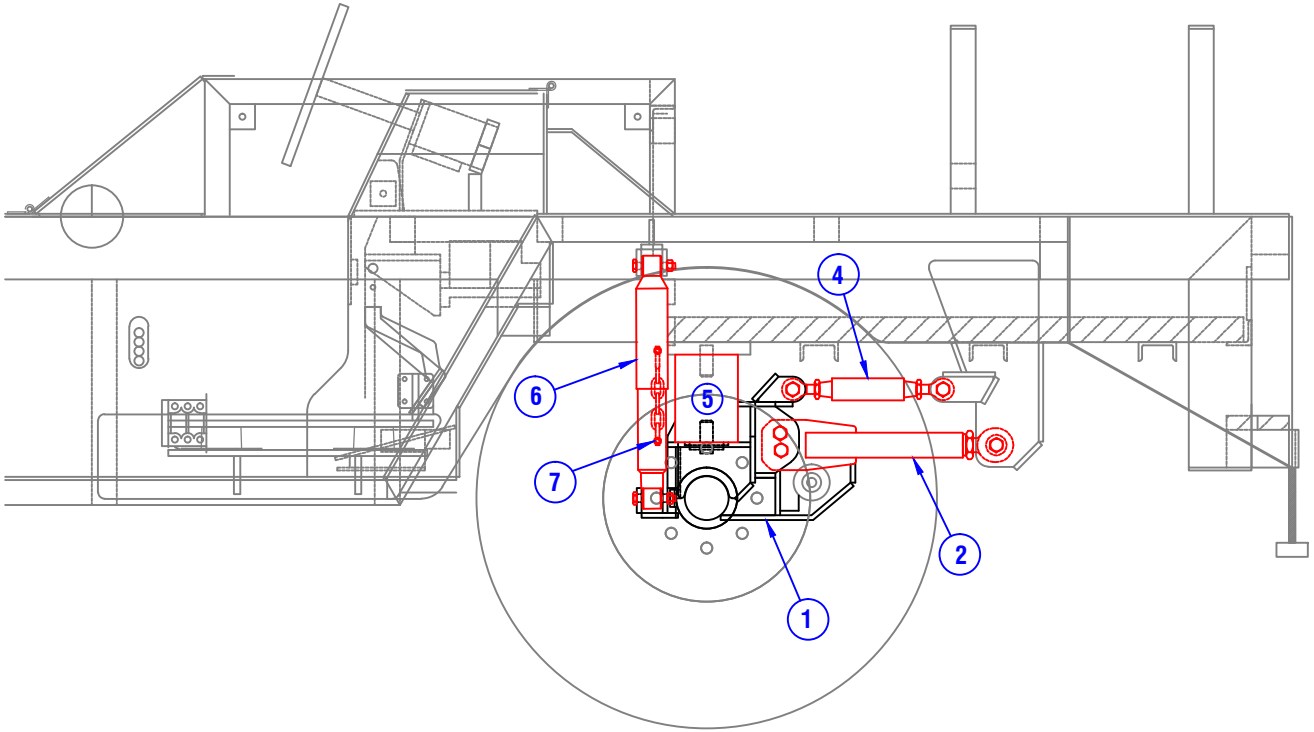


CONFIDENTIAL & PROPRIETARY

All data contained in this document is sole property of **DRY SYSTEMS TECHNOLOGIES** and is considered confidential and proprietary. This document may not be reproduced, released to third parties, or used for purposes other than for which it was furnished, without express written consent of **DRY SYSTEMS TECHNOLOGIES**. This document remains property of **DRY SYSTEMS TECHNOLOGIES** and must be returned upon request.



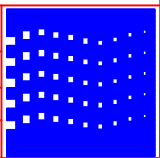
SECTION 3-03

TOLERANCES	
Linear unless noted	
Machined: ± 0.005	
Fabricated: ± 0.02	
Angular: $\pm 1/2^\circ$	
Surface finish 125	

DRY SYSTEMS TECHNOLOGIES
 10420 RISING COURT
 WOODRIDGE, IL 60517
 Phone: 630-427-2051 Fax: 630-427-1036
 E-Mail: eng@drysystemstech.com

DESCRIPTION		NO	RECD
FRONT AXLE INSTALLATION		1	
SCALE	DATE	DRAWN BY	
Full	Dec 11 2017	W Fox	
MATERIAL		APPROVED BY	
DRAWING NO			

FRONT AXLE



FRONT AXLE INSTALLATION

ITEM	PART NUMBER	QUAN.	DESCRIPTION	Notes
1	M379-540-01	1	Front Axle	
2	M379-521-02	2	Radius arm	
	M515-500-12	6	HHCS 5/8-11 x 5 Gr 8	
	M515-500-57	12	Flat Washer, 5/8	
	M515-530-03	6	Lock Washer, 5/8	
	M515-560-16	6	Nut, 5/8	
3	M379-523-02	1	Front Pan Hard Bar	
	M515-500-58	2	HHCS 5/8-11 x 4 Gr 8	
	M515-500-57	4	Flat Washer, 5/8	
	M515-530-03	2	Lock Washer, 5/8	
	M515-560-16	2	Nut, 5/8	
4	M379-525-02	1	Front Control Arm	
	M515-500-25	2	HHCS 3/4-10 x 3 Gr 8	
	M510-536-03	4	Flat Washer, 3/4	
	M515-530-04	2	Lock Washer, 3/4	
	M515-560-17	2	Nut, 3/4	
5	M379-540-02	2	Suspension, Marsh Mellow	
6	M379-540-03	2	Suspension, Shocks	
	M515-500-56	4	HHCS 1/2-13 x 3 1/2 Gr 8	
	M503-559-01	4	Nut, Nylock, 1/2	
7	M379-520-23	4	Chain Shackle, 1/4	
		2	Chain, 1/4 x 6	
8	M379-562-02	2	Tie Rod Ends	
9	M379-540-04	1	Steer Cylinder	