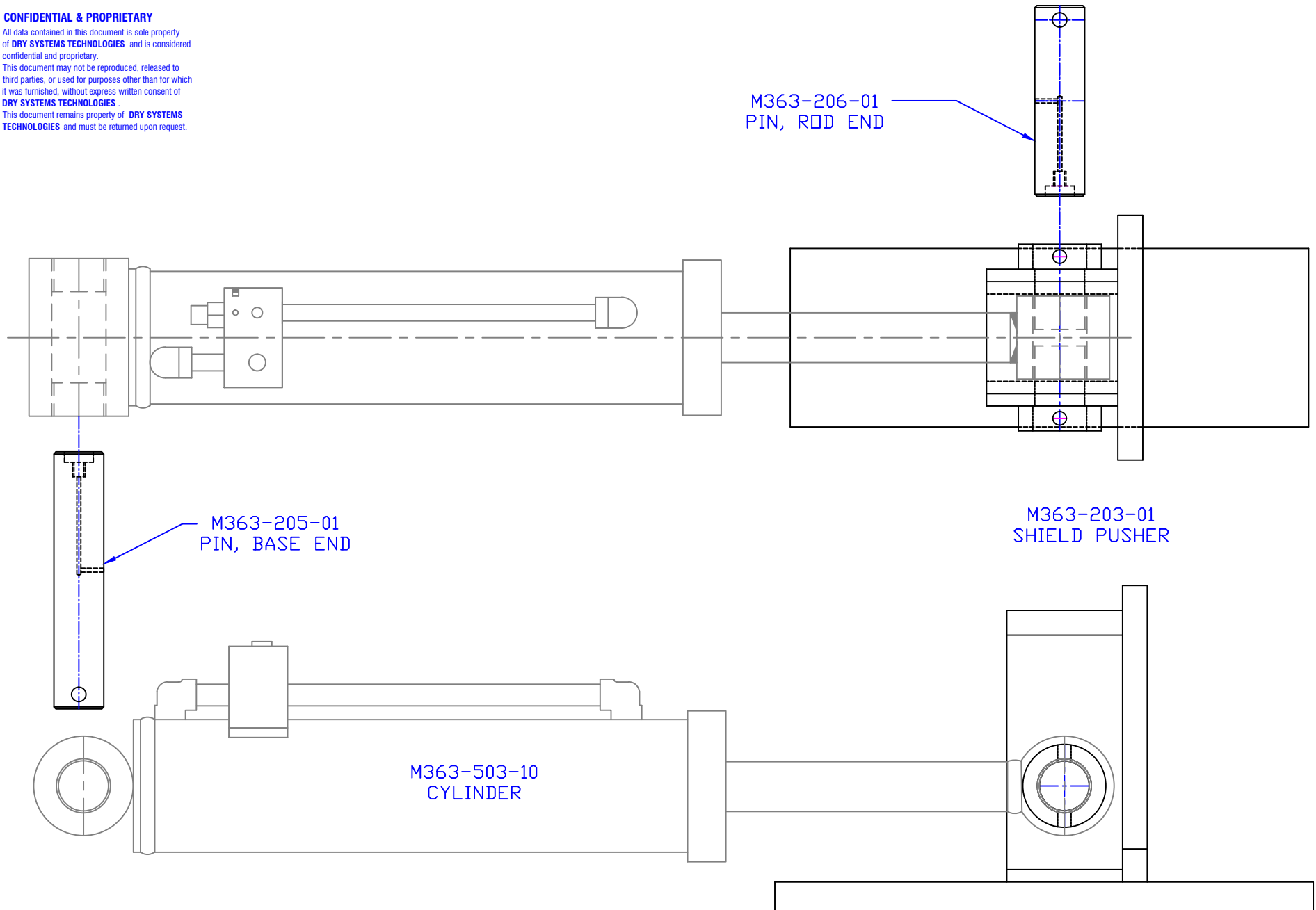


CONFIDENTIAL & PROPRIETARY

All data contained in this document is sole property of **DRY SYSTEMS TECHNOLOGIES** and is considered confidential and proprietary.

This document may not be reproduced, released to third parties, or used for purposes other than for which it was furnished, without express written consent of **DRY SYSTEMS TECHNOLOGIES**.

This document remains property of **DRY SYSTEMS TECHNOLOGIES** and must be returned upon request.



TOLERANCES	
Linear unless noted	
Machined: ± 0.005	
Fabricated: ± 0.02	
Angular: $\pm 1/2^\circ$	
Surface finish 125	

DRY SYSTEMS TECHNOLOGIES
 10420 RISING COURT
 WOODRIDGE, IL 60517
 Phone: 630-427-2051 Fax: 630-427-1036
 E-Mail: eng@dryssystemstech.com

DESCRIPTION SHIELD PUSHER ASSEMBLY		NO RECD 2
SCALE Full	DATE Dec 14 2015	DRAWN BY W Fox
MATERIAL		APPROVED BY
DRAWING NO SECTION 3-03		

