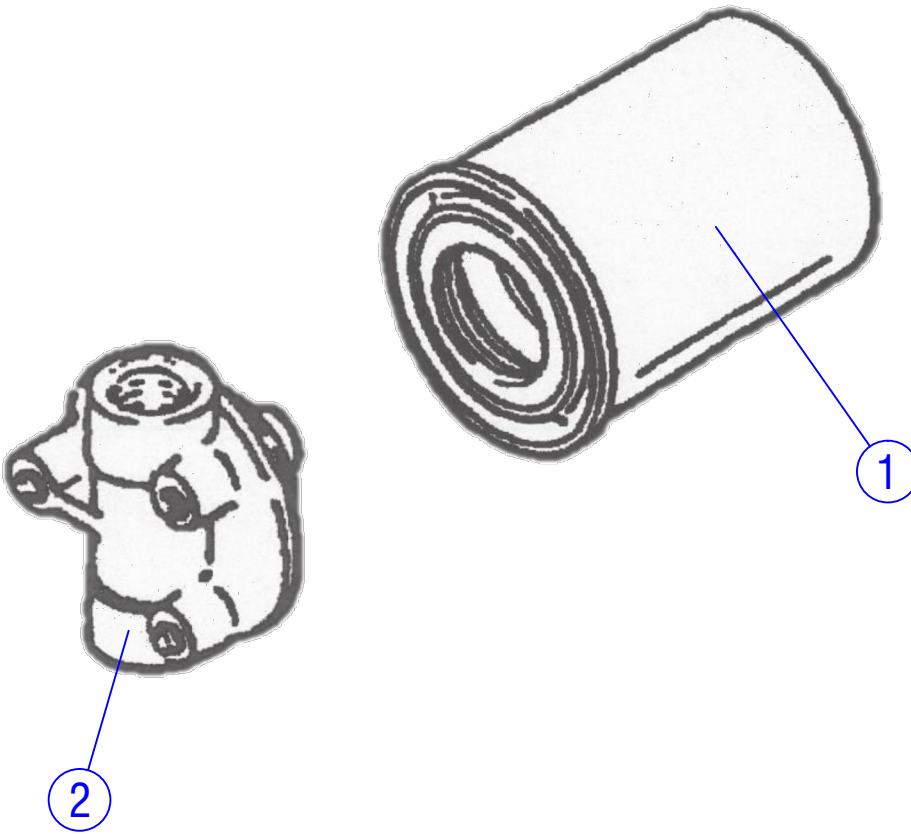


**CONFIDENTIAL & PROPRIETARY**

All data contained in this document is sole property of **DRY SYSTEMS TECHNOLOGIES** and is considered confidential and proprietary.

This document may not be reproduced, released to third parties, or used for purposes other than for which it was furnished, without express written consent of **DRY SYSTEMS TECHNOLOGIES**.

This document remains property of **DRY SYSTEMS TECHNOLOGIES** and must be returned upon request.



ITEM	PART NO.	QTY.	DESCRIPTION
	M350-592-01	1	FILTER, TRANSMISSION ASSEMBLY
1	M350-591-01	1	ELEMENT, TRANSMISSION FILTER
2	M350-591-02	1	FILTER HEAD, TRANSMISSION

**SECTION 3-04**

TOLERANCES	
Linear unless noted	
Machined: ±0.005	
Fabricated: ±0.02	
Angular: ±1/2°	
Surface finish 125	

**DRY SYSTEMS TECHNOLOGIES**

10420 RISING COURT  
WOODRIDGE, IL 60517  
Phone: 630-427-2051 Fax: 630-427-1036  
E-Mail: [eng@drysystemstech.com](mailto:eng@drysystemstech.com)

DESCRIPTION			NO RECD
FILTER, TRANSMISSION ASSEMBLY			1
SCALE	DATE	DRAWN BY	
Full	APRIL 15 2015	Ward Fox	
MATERIAL		APPROVED BY	
DRAWING NO			
<b>M350-592-01</b>			

