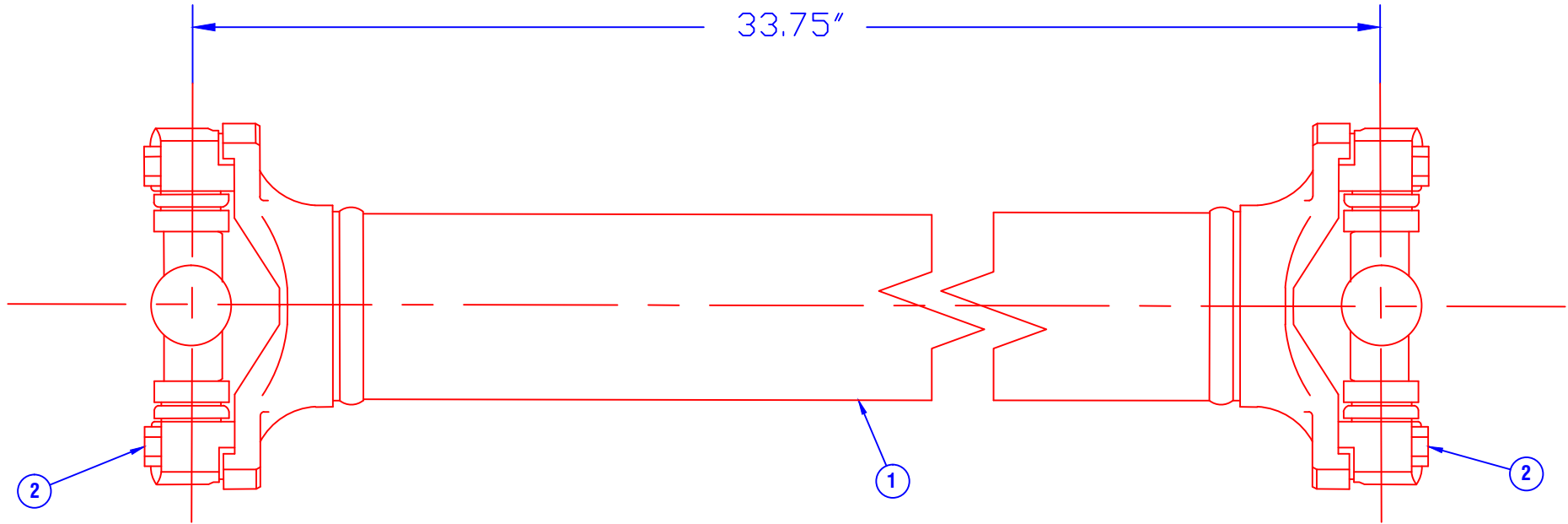


CONFIDENTIAL & PROPRIETARY

All data contained in this document is sole property of **DRY SYSTEMS TECHNOLOGIES** and is considered confidential and proprietary.

This document may not be reproduced, released to third parties, or used for purposes other than for which it was furnished, without express written consent of **DRY SYSTEMS TECHNOLOGIES**.

This document remains property of **DRY SYSTEMS TECHNOLOGIES** and must be returned upon request.



ITEM	PART NUMBER	QUAN.	DESCRIPTION
1	M379-500-07	1	DRIVE LINE Includes U-Joints
2	M379-500-14	2	UNIVERSAL JOINT

SECTION 3-05

TOLERANCES			
Linear unless noted			
Machined: ±0.005			
Fabricated: ±0.02			
Angular: ±1/2°			
Surface finish 125			
REV	DATE	NAME	DESCRIPTION

DRY SYSTEMS TECHNOLOGIES
 10420 RISING COURT
 WOODRIDGE, IL 60517
 Phone: 630-427-2051 Fax: 630-427-1036
 E-Mail: eng@dryssystemstech.com

DESCRIPTION		NO RECD
DRIVE LINE		1
SCALE	DATE	DRAWN BY
Full	Dec. 06 2017	Ward Fox
MATERIAL		APPROVED BY
DRAWING NO		
M379-500-07		

