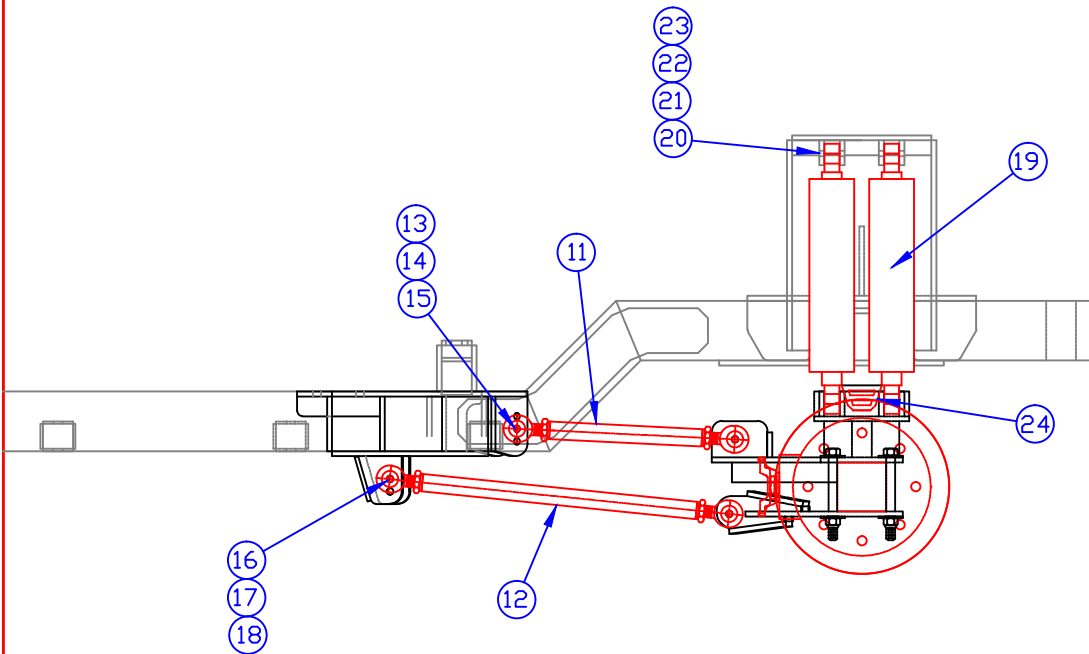
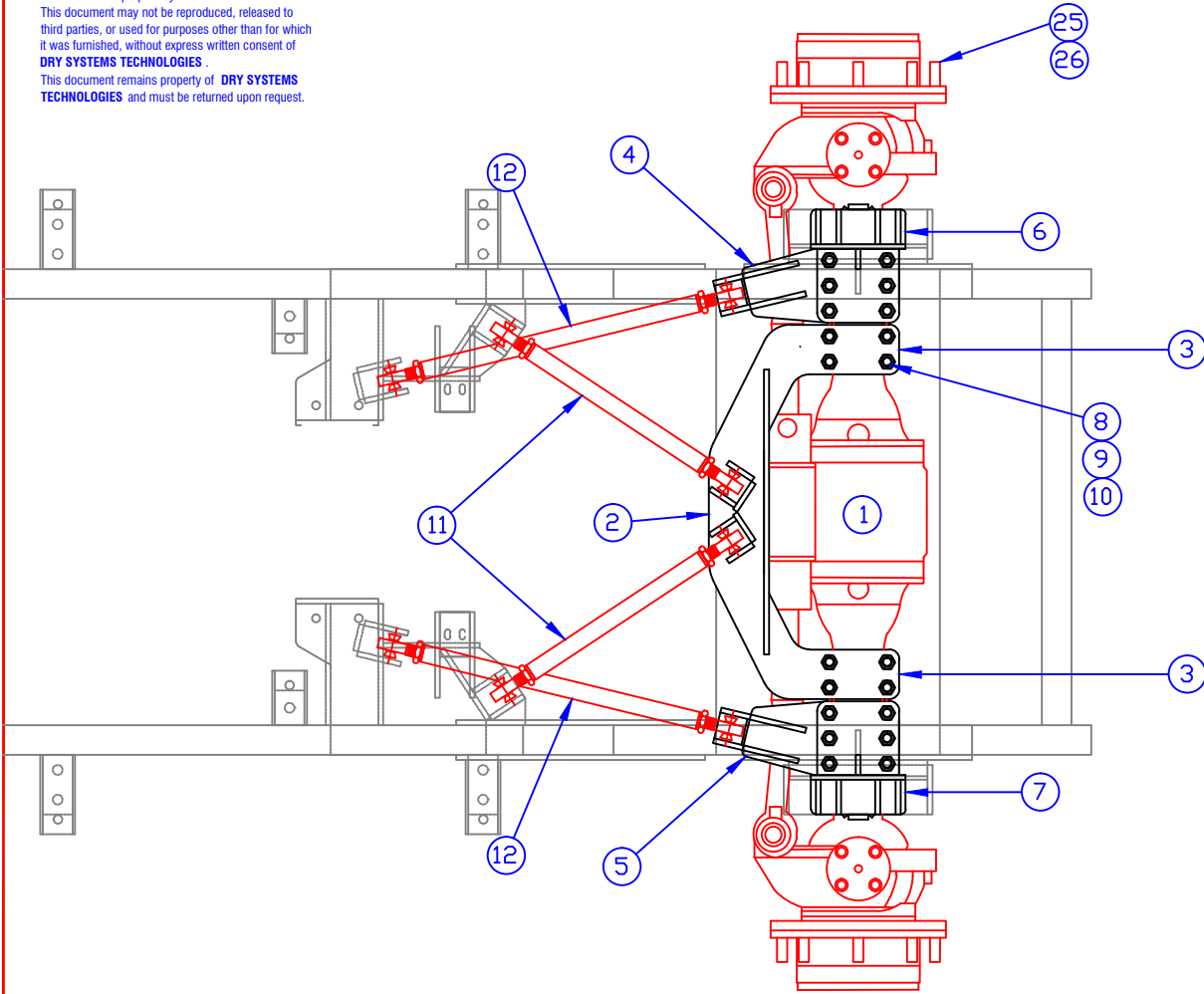


CONFIDENTIAL & PROPRIETARY

All data contained in this document is sole property of **DRY SYSTEMS TECHNOLOGIES** and is considered confidential and proprietary.

This document may not be reproduced, released to third parties, or used for purposes other than for which it was furnished, without express written consent of **DRY SYSTEMS TECHNOLOGIES**.

This document remains property of **DRY SYSTEMS TECHNOLOGIES** and must be returned upon request.

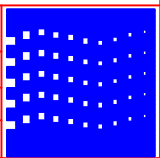


SECTION 3-06

TOLERANCES			
Linear unless noted			
Machined: ±0.005			
Fabricated: ±0.02			
Angular: ±1/2°			
Surface finish 125			
1	12/19/19	WF	Changed Lower Radius Arm to 1"
REV	DATE	NAME	DESCRIPTION

DRY SYSTEMS TECHNOLOGIES
 10420 RISING COURT
 WOODRIDGE, IL 60517
 Phone: 630-427-2051 Fax: 630-427-1036
 E-Mail: eng@drysystemstech.com

DESCRIPTION			NO RECD
FRONT AXLE INSTALLATION			1
SCALE	DATE	DRAWN BY	
Full	March 20-2018	W Fox	
MATERIAL	APPROVED BY		
DRAWING NO	FRONT AXLE		



FRONT AXLE INSTALLATION

ITEM	PART NUMBER	QUAN.	DESCRIPTION	Notes
1	M375-502-01	1	AXLE, STEER	
2	M375-502-02	1	RADIUS ARM CENTER MOUNT, FRONT	
3	M375-502-03	2	CLAMP PLATE, CENTER MOUNT, FRONT	
4	M375-502-04-L	1	RADIUS ARM OUTER MOUNT, FRONT LEFT	
5	M375-502-04-R	1	RADIUS ARM OUTER MOUNT, FRONT RIGHT	
6	M375-502-05-L	1	SHOCK MOUNT, FRONT LEFT	
7	M375-502-05-R	1	SHOCK MOUNT, FRONT RIGHT	
8	M503-554-06	20	HHCS, 7/8-14 X 8 1/2 GR 8	
9	M503-555-01	40	FLAT WASHER, 7/8 SAE	
10	M503-559-02	20	NUT, NYLOCK, 7/8-14	
11	M375-540-01	2	RADIUS ARM ASSEMBLY, UPPER	
12	M375-541-01	2	RADIUS ARM ASSEMBLY, LOWER	
13	M515-500-60	4	HHCS, 5/8-11 X 4 1/2 GR 8	
14	M515-530-03	4	LOCK WASHER, 5/8	
15	M515-560-16	4	NUT, 5/8-11	
16	M600-114-01	4	HHCS, 1-8 X 4 1/2 GR8	
17	M601-121-01	4	LOCK WASHER, 1"	
18	M601-120-01	4	NUT, 1-8	
19	M375-512-01	4	SHOCKS, COIL OVER W/REMOTE	
	M375-512-02	4	SPRING, COIL OVER, FRONT	Not Shown
	M375-512-06	4	ADAPTER, COIL CONE	Not Shown
20	M515-500-56	8	HHCS, 1/2-13 X 3 1/2 GR 8	
21	M600-110-01	8	LOCK WASHER, 1/2	
22	M600-112-01	16	FLAT, WASHER, 1/2	
23	M600-108-01	8	NUT, 1/2-13	
24	M375-537-01	2	BUMP STOPS	
	M375-525-02	4	LIMIT CHAIN SHACKLES	Not Shown
	M375-525-03	2	LIMIT CHAINS	Not Shown
25	M375-503-08	16	WHEEL STUDS	
26	M375-503-07	16	WHEEL NUTS	