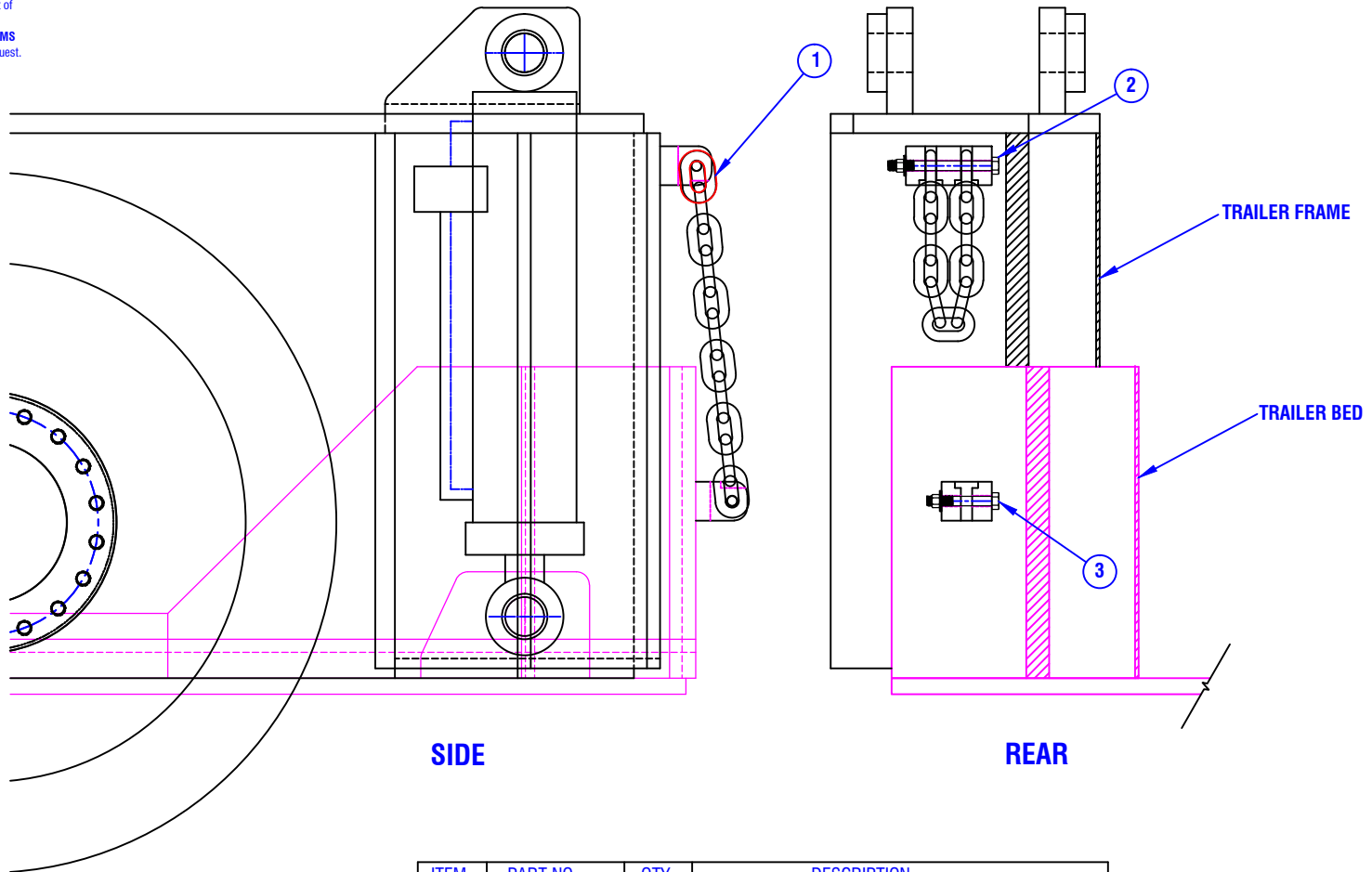


CONFIDENTIAL & PROPRIETARY

All data contained in this document is sole property of **DRY SYSTEMS TECHNOLOGIES** and is considered confidential and proprietary. This document may not be reproduced, released to third parties, or used for purposes other than for which it was furnished, without express written consent of **DRY SYSTEMS TECHNOLOGIES**. This document remains property of **DRY SYSTEMS TECHNOLOGIES** and must be returned upon request.



SIDE

REAR

ITEM	PART NO.	QTY.	DESCRIPTION
1	M363-216-01	2	CHAIN
2	M515-500-35	2	HEX HEAD BOLT
	M515-560-15	2	NUT
	M515-530-07	2	LOCK WASHER
3	M515-500-36	2	HEX HEAD BOLT
	M515-560-15	2	NUT
	M515-530-07	2	LOCK WASHER

TOLERANCES	REV	DATE	NAME	DESCRIPTION
Linear unless noted				
Machined: ±0.005				
Fabricated: ±0.02				
Angular: ±1/2°				
Surface finish 125				

DRY SYSTEMS TECHNOLOGIES
 10420 RISING COURT
 WOODRIDGE, IL 60517
 Phone: 630-427-2051 Fax: 630-427-1036
 E-Mail: eng@drysystemstech.com

DESCRIPTION		NO RECD	
LIFT CYLINDER FAIL CHAIN ASSEMBLY		2	
SCALE	DATE	DRAWN BY	
Full	Dec 09 2015	W Fox	
MATERIAL		APPROVED BY	
DRAWING NO		SECTION 3-06	

