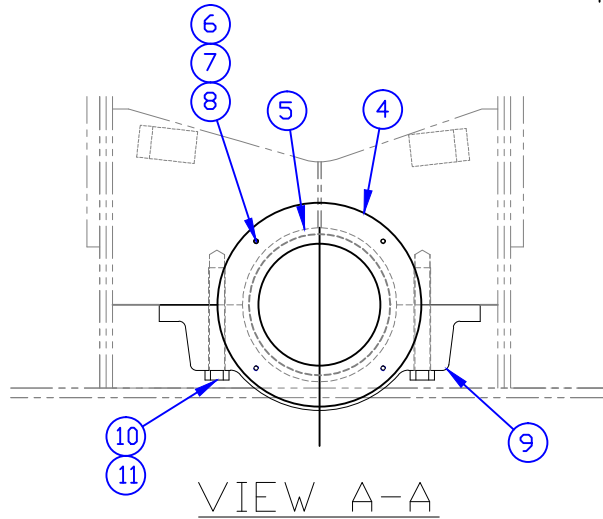
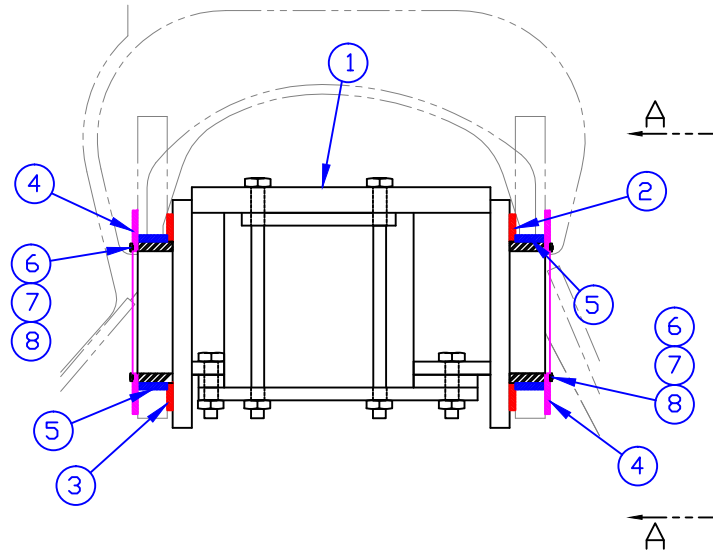


CONFIDENTIAL & PROPRIETARY

All data contained in this document is sole property of **DRY SYSTEMS TECHNOLOGIES** and is considered confidential and proprietary.
 This document may not be reproduced, released to third parties, or used for purposes other than for which it was furnished, without express written consent of **DRY SYSTEMS TECHNOLOGIES**.
 This document remains property of **DRY SYSTEMS TECHNOLOGIES** and must be returned upon request.

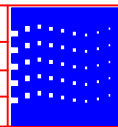


SECTION 3-07

TOLERANCES			
Linear unless noted			
Machined: ±0.005			
Fabricated: ±0.02			
Angular: ±1/2°			
Surface finish 125			

DRY SYSTEMS TECHNOLOGIES
 10420 RISING COURT
 WOODRIDGE, IL 60517
 Phone: 630-427-2051 Fax: 630-427-1036
 E-Mail: esp@dryssystemstech.com

DESCRIPTION	NO. REVISIONS
TRUNNION CRADLE INSTALLATION	
SCALE: Full	DATE: Mar 18 2015
DRAWN BY: Ward Fox	APPROVED BY:
DRAWING NO: M350-205-01	



TRUNNION, CRADLE INSTALLATION

ITEM	PART NUMBER	QUAN.	DESCRIPTION	Notes
1	M350-205-01	1	CRADLE, AXLE TRUNNION	
2	M350-515-01	1	WEAR RING, FLAT, AXLE OSC	
3	M350-516-01	1	WEAR RING, FLAT, AXLE OSC	
4	M350-595-01	2	PLATE, CAP REAR AXLE CRADLE	
5	M350-529-01	2	BUSHING, RING, AXLE OSC	
6	M503-517-01	8	CAPSCREW, HEX HEAD, 3/8-16 X 1 GR8	
7	M515-530-01	8	FLAT WASHER 3/8	
8	M600-123-01	8	LOCK WASHER 3/8	
9	M350-594-01	2	CAP, TRUNNION, REAR AXLE	
10	M600-118-01	4	CAPSCREW, HEX HEAD, 1 1/4-12 X 8 GR8	TORQUE 2000 FT LBS
11	M601-529-01	4	FLAT WASHER 1 1/4 SAE	