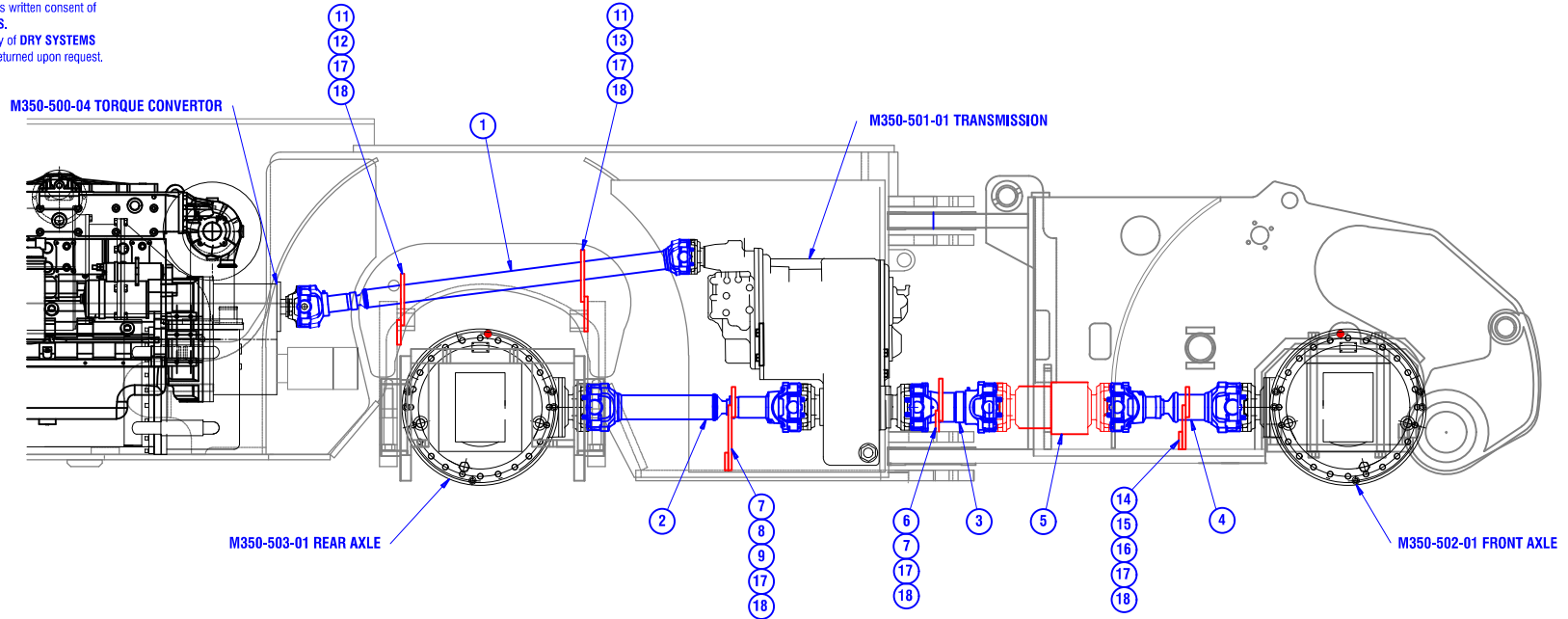


CONFIDENTIAL & PROPRIETARY

All data contained in this document is sole property of DRY SYSTEMS TECHNOLOGIES and is considered confidential and proprietary.

This document may not be reproduced, released to third parties, or used for purposes other than for which it was furnished, without express written consent of DRY SYSTEMS TECHNOLOGIES.

This document remains property of DRY SYSTEMS TECHNOLOGIES and must be returned upon request.



ITEM	PART NUMBER	QUAN.	DESCRIPTION
1	M350-679-01	1	DRIVE LINE
2	M350-680-01	1	DRIVE LINE
3	M350-519-01	1	DRIVE LINE
4	M350-521-01	1	DRIVE LINE
5	M503-551-01	1	CARRIER BEARING
6	M350-233-01	1	GUARD, DRIVE LINE
7	M350-233-02	2	GUARD, BASE, DRIVE LINE
8	M350-233-03	1	GUARD, MOUNT, DRIVE LINE
9	M350-233-04	1	GUARD, BASE, DRIVE LINE
10	M350-234-02	1	GUARD, DRIVELINE
11	M350-235-05	2	GUARD, DRIVE LINE
12	M350-234-03	1	GUARD, BASE, DRIVE LINE
13	M350-234-04	1	GUARD, BASE, DRIVE LINE
14	M350-235-01	1	GUARD, MOUNT, DRIVE LINE
15	M350-235-02	1	GUARD, BASE, DRIVE LINE
16	M350-235-03	1	GUARD, DRIVE LINE
17	M515-500-05	18	HEX HEAD CAP SCREW, 1/2-13 X 1 1/2 GR8
18	M515-560-03	18	NUT, TOP LOCK, 1/2

TOLERANCES

Linear unless noted
 Machined: ±0.005
 Fabricated: ±0.02
 Angular: ±1/2°
 Surface finish 125

REV	DATE	NAME	DESCRIPTION

DRY SYSTEMS TECHNOLOGIES

10420 RISING COURT
 WOODRIDGE, IL 60517
 Phone: 630-427-2051 Fax: 630-427-1036
 E-Mail: eng@dryssystemstech.com

DESCRIPTION		NO RECD
DRIVE LINE INSTALLATION		
SCALE	DATE	DRAWN BY
Full	APRIL 13 2015	W Fox
MATERIAL	APPROVED BY	
DRAWING NO	SECTION 3-09	

