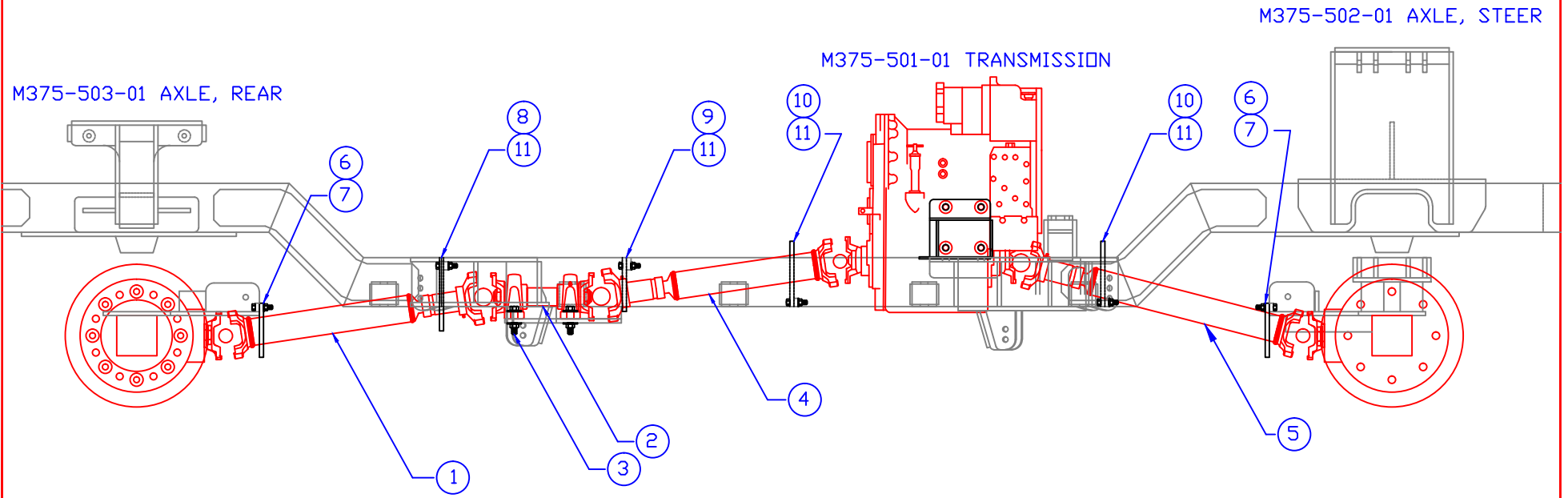


**CONFIDENTIAL & PROPRIETARY**

All data contained in this document is sole property of **DRY SYSTEMS TECHNOLOGIES** and is considered confidential and proprietary.

This document may not be reproduced, released to third parties, or used for purposes other than for which it was furnished, without express written consent of **DRY SYSTEMS TECHNOLOGIES**.

This document remains property of **DRY SYSTEMS TECHNOLOGIES** and must be returned upon request.

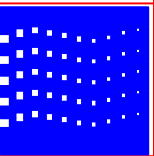


**SECTION 3-10**

TOLERANCES	
Linear unless noted	
Machined: ±0.005	
Fabricated: ±0.02	
Angular: ±1/2°	
Surface finish 125	
REV	DATE

**DRY SYSTEMS TECHNOLOGIES**  
 10420 RISING COURT  
 WOODRIDGE, IL 60517  
 Phone: 630-427-2051 Fax: 630-427-1036  
 E-Mail: eng@dryssystemstech.com

DESCRIPTION		NO RECD	
DRIVELINE INSTALLATION		1	
SCALE	DATE	DRAWN BY	
Full	March 21 2018	W Fox	
MATERIAL		APPROVED BY	
DRAWING NO		DRIVELINE	



**DRIVELINE INSTALLATION**

ITEM	PART NUMBER	QUAN.	DESCRIPTION	Notes
1	M375-531-01	1	DRIVELINE - REAR	
2	M375-531-02	1	DRIVELINE - MID	
3	M515-500-61	4	HHCS 5/8-11 X 2 1/2 GR 8	
	M515-500-57	8	FLAT WASHER, 5/8	
	M515-530-03	4	LOCK WASHER, 5/8	
	M515-560-16	4	NUT, 5/8-11	
4	M375-531-03	1	DRIVELINE - INTERMEDIATE	
5	M375-531-04	1	DRIVELINE - FRONT	
6	M375-531-06	2	DRIVELINE GUARD	
7	M600-105-01	4	HHCS 1/2-13 X 1 3/4 GR 8	
	M600-110-01	4	LOCK WASHER, 1/2	
	M600-108-01	4	NUT, 1/2-13	
8	M375-531-07	1	DRIVELINE GUARD	
9	M375-531-08	1	DRIVELINE GUARD	
10	M375-531-09	2	DRIVELINE GUARD	
11	M515-523-01	8	HHCS 7/16-14 X 1 3/4 GR 8	
	M515-530-14	8	LOCK WASHER, 7/16	
	M515-560-21	8	NUT, 7/16-14	