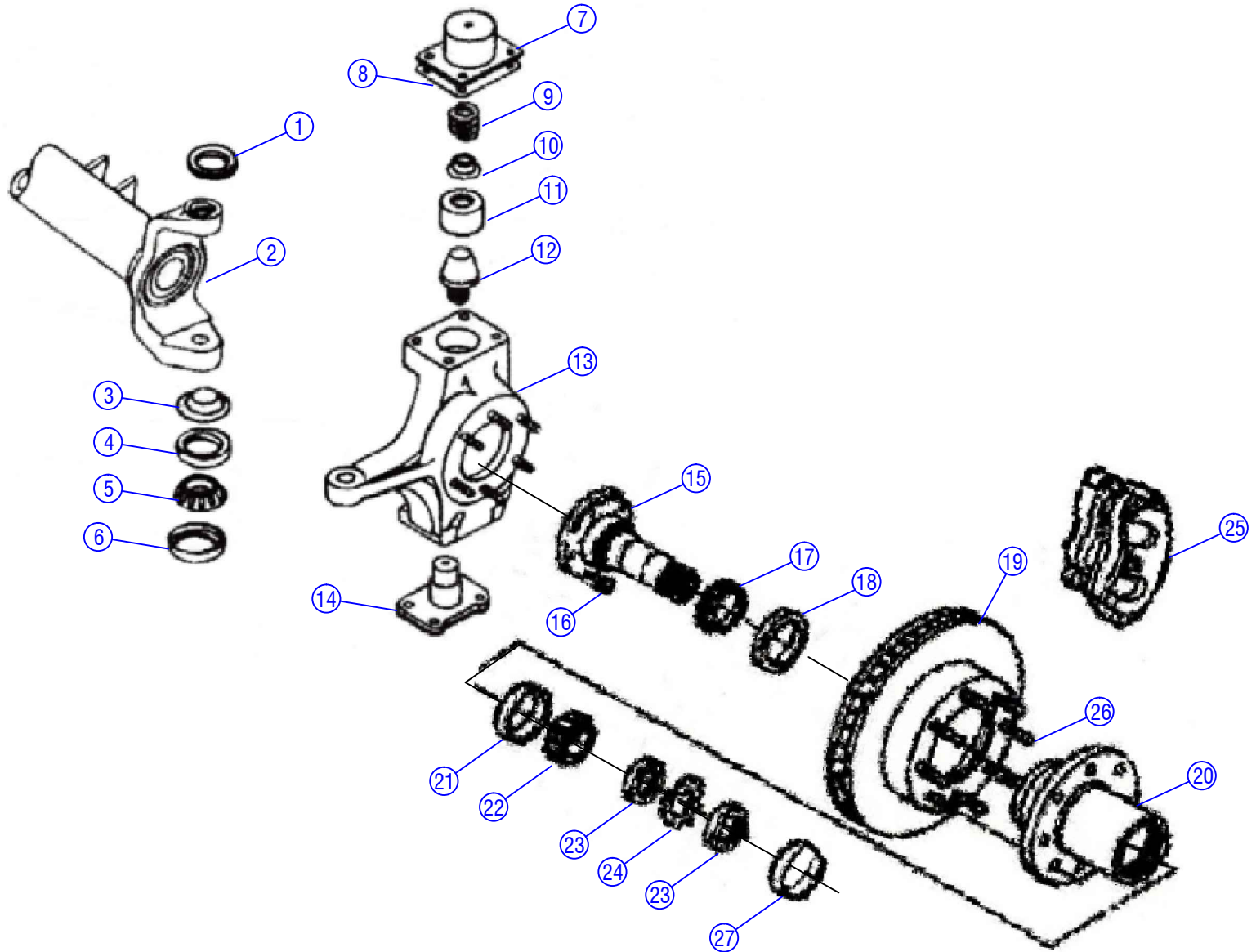


CONFIDENTIAL & PROPRIETARY

All data contained in this document is sole property of **DRY SYSTEMS TECHNOLOGIES** and is considered confidential and proprietary.

This document may not be reproduced, released to third parties, or used for purposes other than for which it was furnished, without express written consent of **DRY SYSTEMS TECHNOLOGIES**.

This document remains property of **DRY SYSTEMS TECHNOLOGIES** and must be returned upon request.

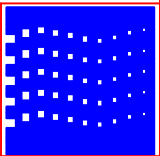


SECTION 3-13

TOLERANCES	
Linear unless noted	
Machined: ±0.005	
Fabricated: ±0.02	
Angular: ±1/2°	
Surface finish 125	
REV	DATE

DRY SYSTEMS TECHNOLOGIES
 10420 RISING COURT
 WOODRIDGE, IL 60517
 Phone: 630-427-2051 Fax: 630-427-1036
 E-Mail: eng@dryssystemstech.com

DESCRIPTION		NO RECD
FRONT STEER AXLE		1
SCALE	DATE	DRAWN BY
Full	DEC 5 2017	W Fox
MATERIAL		APPROVED BY
DRAWING NO		
M379-540-01		



FRONT STEER AXLE

ITEM	PART NUMBER	QUAN.	DESCRIPTION	Notes
	M379-540-01	1	FRONT STEER AXLE ASSEMBLY	
1	M379-540-13	2	Seal	
2	M379-540-14	2	King Pin Inner C	
3	M379-540-15	2	Retainer	
4	M379-540-16	2	Bearing Cup	
5	M379-540-17	2	Bearing Cone	
6	M379-540-18	2	Seal	
7	M379-540-19	2	King Pin Cap	
8	M379-540-20	2	Gasket, King Pin Cap	
9	M379-540-21	2	Spring	
10	M379-540-22	2	Spring Retainer	
11	M379-540-23	2	Bushing	
12	M379-540-24	2	King Pin	
13	M379-540-25	1	Knuckle, Left Hand	
	M379-540-26	1	Knuckle, Right Hand	Not Shown
14	M379-540-27	2	Cap, Lower	
	M379-540-28	16	Screw, King Pin Caps	Not Shown
	M379-540-29	16	Lockwasher, King Pin Caps	Not Shown
	M379-540-30	4	Grease Fitting	Not Shown
15	M379-540-31	2	Spindle	
16	M379-540-32	12	Spindle Attaching Nuts	
17	M379-540-37	2	Inner Wheel Bearing Cone	
18	M379-540-38	2	Inner Wheel Bearing Cup	
19	M379-540-41	2	Brake Rotor	
	M379-540-42	2	Brake Pad, Replacement	
20	M379-540-33	2	Wheel Hub	
21	M379-540-39	2	Outer Wheel Bearing Cone	
22	M379-540-40	2	Outer Wheel Bearing Cup	
23	M379-540-43	4	Wheel Bearing Nuts	
24	M379-540-44	2	Wheel Bearing Lock Plate	
25	M379-540-36	1	Brake Caliper, Left Hand	
	M379-540-35	1	Brake Caliper, Right Hand	Not Shown
26	M379-540-46	16	Wheel Studs	
	M379-541-21	16	Wheel Nuts	Not Shown
27	M379-540-45	2	Plug, Outer Wheel Hub	