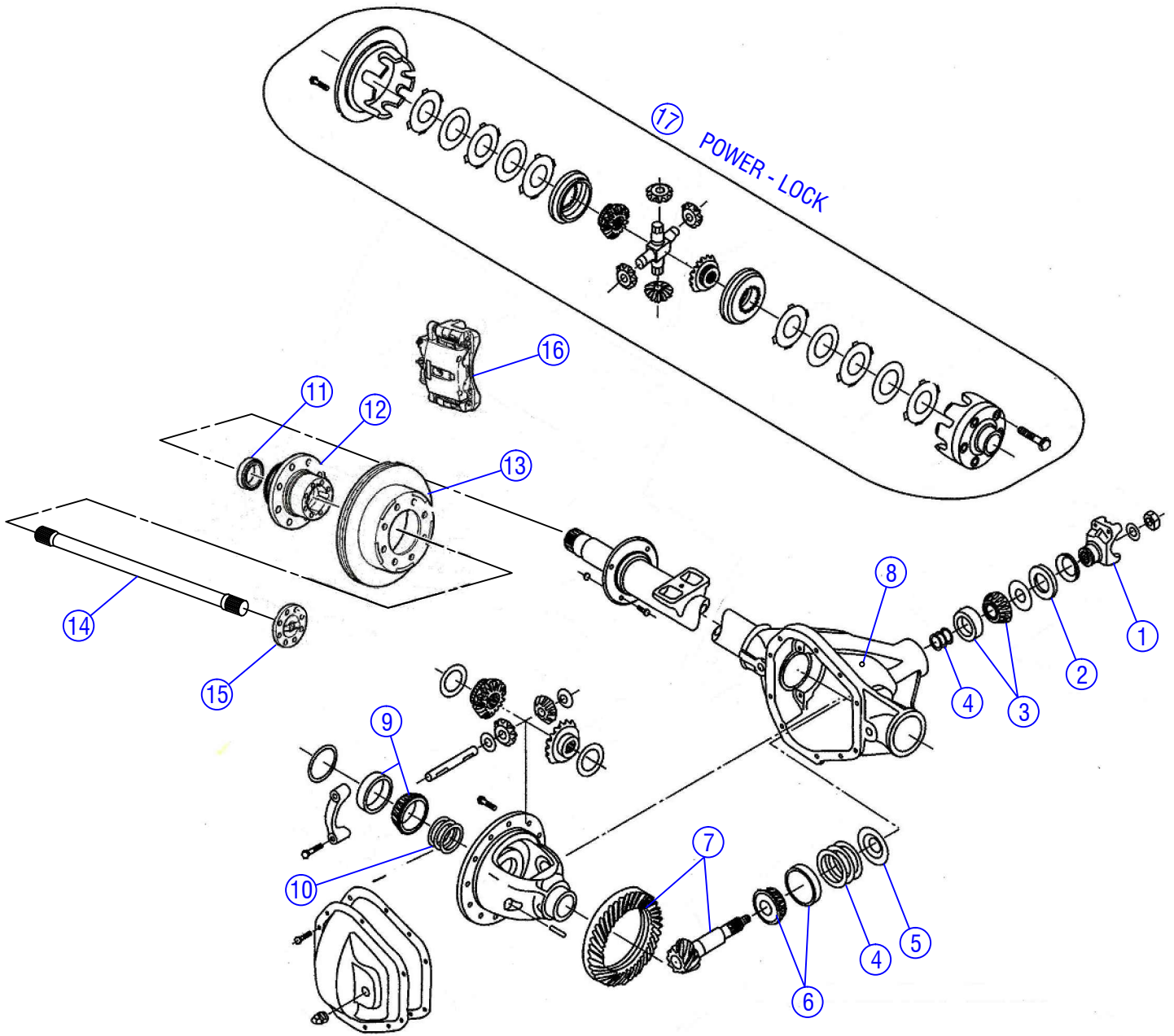


CONFIDENTIAL & PROPRIETARY

All data contained in this document is sole property of **DRY SYSTEMS TECHNOLOGIES** and is considered confidential and proprietary. This document may not be reproduced, released to third parties, or used for purposes other than for which it was furnished, without express written consent of **DRY SYSTEMS TECHNOLOGIES**. This document remains property of **DRY SYSTEMS TECHNOLOGIES** and must be returned upon request.



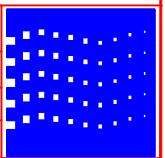
SECTION 3-14

TOLERANCES	REV	DATE	NAME	DESCRIPTION
Linear unless noted				
Machined: ±0.005				
Fabricated: ±0.02				
Angular: ±1/2°				
Surface finish 125				

DRY SYSTEMS TECHNOLOGIES

10420 RISING COURT
WOODRIDGE, IL 60517
Phone: 630-427-2051 Fax: 630-427-1036
E-Mail: eng@drysystemstech.com

DESCRIPTION			NO RECD
REAR AXLE			1
SCALE	DATE	DRAWN BY	
Full	NOV. 29 2017	W Fox	
MATERIAL	APPROVED BY		
DRAWING NO	M379-541-01		



REAR AXLE

ITEM	PART NUMBER	QUAN.	DESCRIPTION	Notes
	M379-541-01	1	REAR AXLE ASSEMBLY	
1	M379-541-02	1	End Yoke	
2	M379-541-03	1	Pinion Shaft Seal	
3	M379-541-04	1	Bearing, Outer Pinion Shaft	
4	M379-541-05	1	Pinion Shim Kit	
5	M379-541-06	1	Baffle	
6	M379-541-07	1	Bearing, Inner Pinion Shaft	
7	M379-541-08	1	Gear Set	
8	M379-541-09	1	Vent	
9	M379-541-10	1	Differential Bearing Kit, Side Bearings	
10	M379-541-11	1	Differential Shim klt	
11	M379-541-12	2	Isolation Seals	
12	M379-541-13	2	Unit Bearings	
13	M379-541-14	2	Brake Rotor	
14	M379-541-15	2	Axle Shafts	
15	M379-541-16	1	Drive Flange Kit	
16	M379-541-17	1	E Brake Caliper with Cable Stops, Left	
	M379-541-18	1	E Brake Caliper with Cable Stops, Right	Not Shown
	M379-541-22	2	Replacement Brake Pads	Not Shown
17	M379-541-19	1	Differential Carrier, Power Lock	
	M379-541-20	16	Wheel Studs	Not Shown
	M379-541-21	16	Wheel Nuts	Not Shown