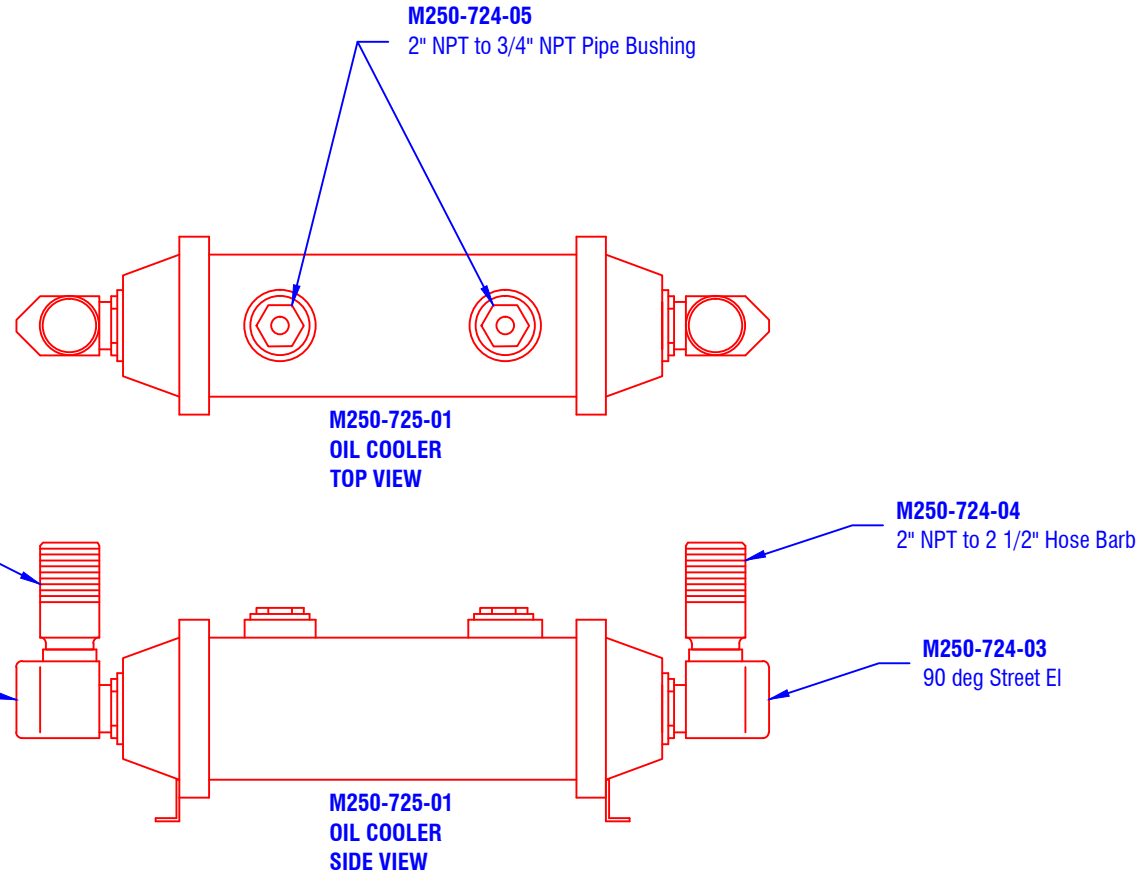


All data contained in this document is sole property of DRY SYSTEMS TECHNOLOGIES and is considered confidential and proprietary.

This document may not be reproduced, released to third parties, or used for purposes other than for which it was furnished, without express written consent of DRY SYSTEMS TECHNOLOGIES.

This document remains property of DRY SYSTEMS TECHNOLOGIES and must be returned upon request.



**NOTE: FOR SN M400508 ONLY**  
**SN M400476 & M400477 USE ORIGINAL CAT COOLER**

NOTE: FITTINGS SOLD SEPARATELY

<b>TOLERANCES</b> Linear unless noted Machined: ±0.005 Fabricated: ±0.01 Angular: ±1/2° Surface finish 125				<b>DRY SYSTEMS TECHNOLOGIES</b> 10420 RISING COURT WOODRIDGE, IL 60517 Phone: 630-427-2051 Fax: 630-427-1036 E-Mail: engg@drysystemstech.com	DESCRIPTION <b>OIL COOLER</b>	NO RECD
	SCALE	DATE	DRAWN BY		APPROVED BY	
	FULL	Aug 30 2018	Ward Fox			
	MATERIAL	See Detail Drawings				
	DRAWING NO			<b>INSTALLATION DRAWING</b>		

