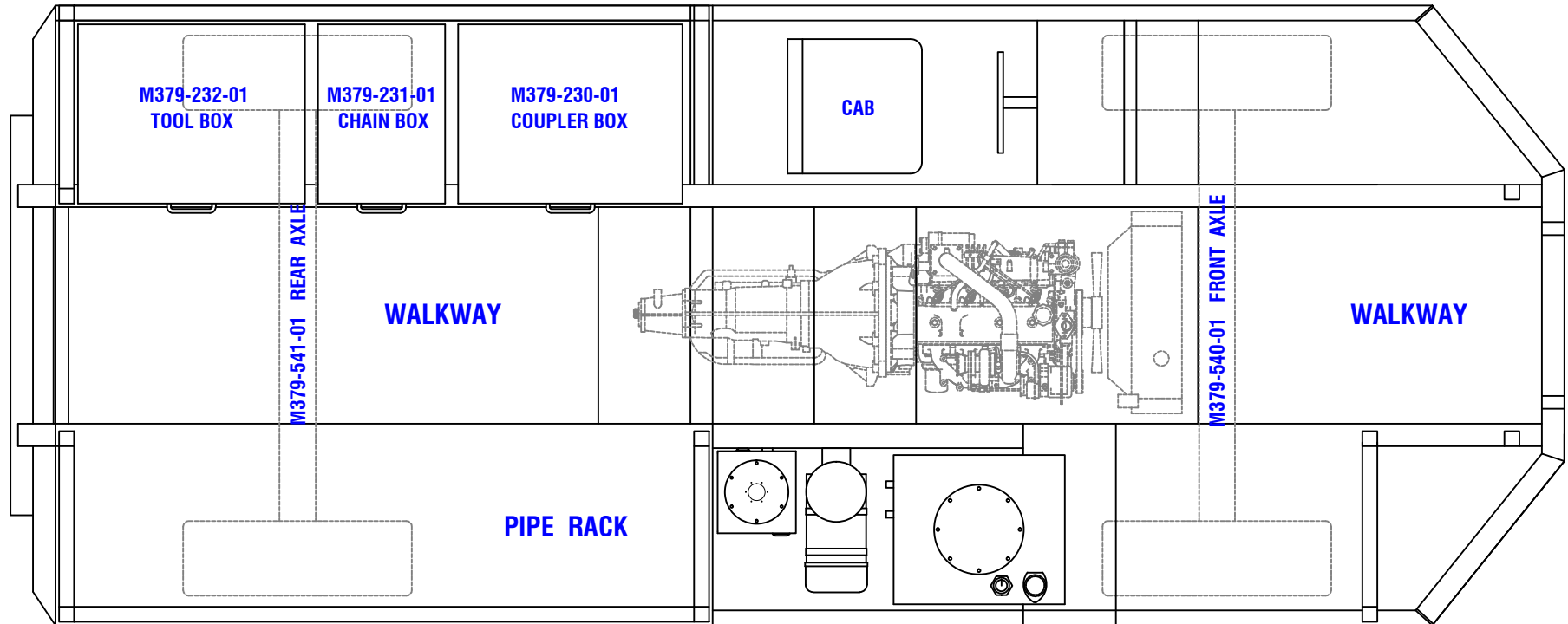


CONFIDENTIAL & PROPRIETARY

All data contained in this document is sole property of DRY SYSTEMS TECHNOLOGIES and is considered confidential and proprietary. This document may not be reproduced, released to third parties, or used for purposes other than for which it was furnished, without express written consent of DRY SYSTEMS TECHNOLOGIES. This document remains property of DRY SYSTEMS TECHNOLOGIES and must be returned upon request.

**M379-500-03
TRANSMISSION**

**M500-220-01
ENGINE, CUMMINS 3.3**



**M379-210 -01
HYD TANK ASSY**

**M379-220 -01
FUEL TANK ASSY**

SECTION 4-01

| TOLERANCES | |
|---------------------|------|
| Linear unless noted | |
| Machined: ±0.005 | |
| Fabricated: ±0.02 | |
| Angular: ±1/2° | |
| Surface finish 125 | |
| REV | DATE |

DRY SYSTEMS TECHNOLOGIES
10420 RISING COURT
WOODRIDGE, IL 60517
Phone: 630-427-2051 Fax: 630-427-1036
E-Mail: eng@drysystemstech.com

| DESCRIPTION | | | NO RECD |
|--------------|--------------|--------------|---------|
| FRAME LAYOUT | | | 1 |
| SCALE | DATE | DRAWN BY | |
| Full | Dec. 27 2017 | W Fox | |
| MATERIAL | | APPROVED BY | |
| DRAWING NO | | FRAME LAYOUT | |

