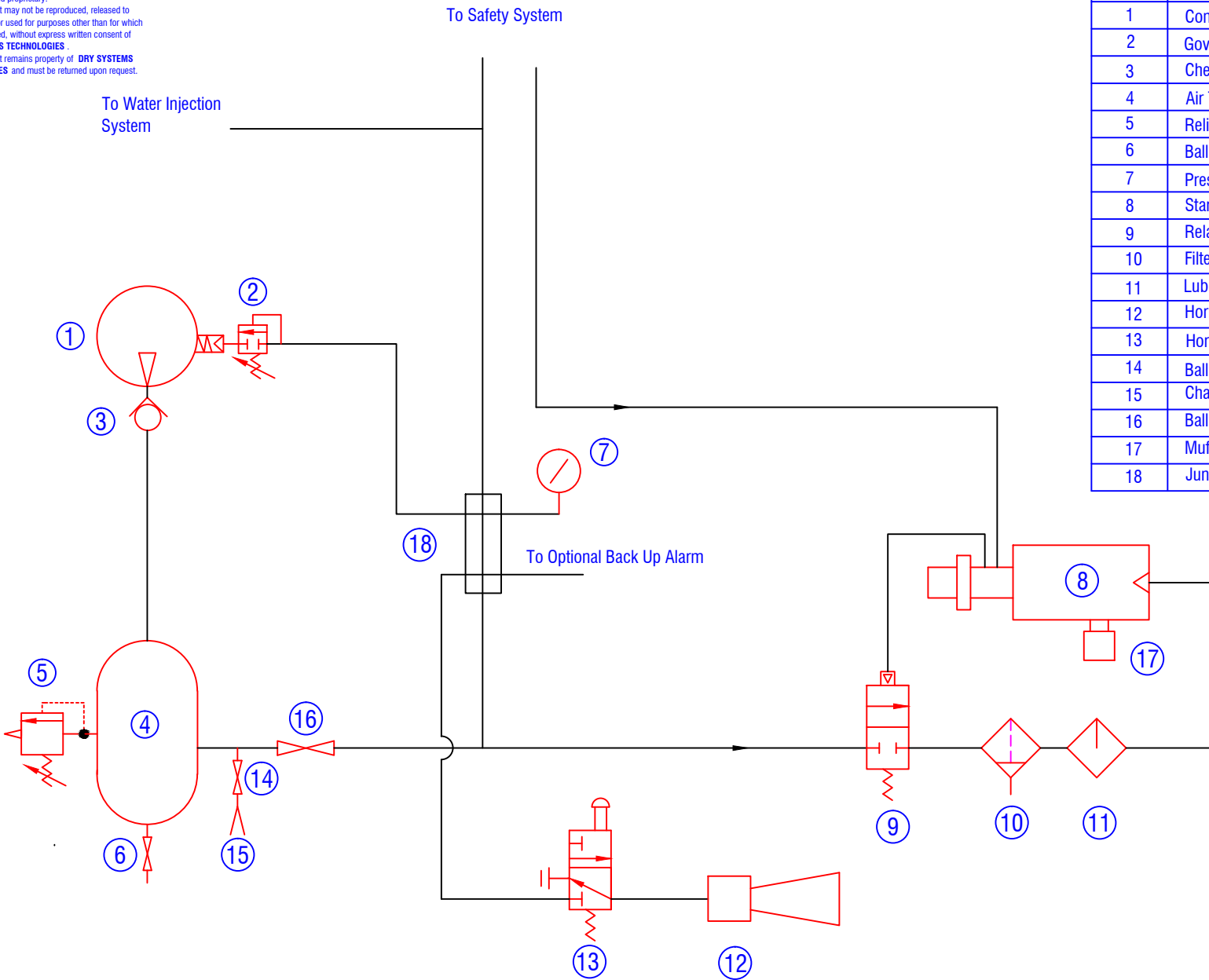


CONFIDENTIAL & PROPRIETARY

All data contained in this document is sole property of **DRY SYSTEMS TECHNOLOGIES** and is considered confidential and proprietary.

This document may not be reproduced, released to third parties, or used for purposes other than for which it was furnished, without express written consent of **DRY SYSTEMS TECHNOLOGIES**.

This document remains property of **DRY SYSTEMS TECHNOLOGIES** and must be returned upon request.



| ITEM # | DESCRIPTION | PART NUMBER |
|--------|-----------------|--------------------|
| 1 | Compressor | Supplied w/ Engine |
| 2 | Governor | M350-576-01 |
| 3 | Check Valve | M350-577-01 |
| 4 | Air Tank 24 Gal | M350-514-01 |
| 5 | Relief Valve | M350-517-01 |
| 6 | Ball Valve 1/4" | M350-573-01 |
| 7 | Pressure Gauge | M350-886-01 |
| 8 | Starter | M250-510-01 |
| 9 | Relay Valve | M250-511-01 |
| 10 | Filter | M250-513-01 |
| 11 | Lubricator | M250-512-01 |
| 12 | Horn | M350-571-01 |
| 13 | Horn Valve | M350-589-01 |
| 14 | Ball Valve 1/2" | M350-579-01 |
| 15 | Charge Point | M350-574-01 |
| 16 | Ball Valve, 1" | M350-575-02 |
| 17 | Muffler | M507-682-01 |
| 18 | Junction Block | M350-621-01 |

TOLERANCES
 Linear unless noted
 Machined: ±0.005
 Fabricated: ±0.02
 Angular: ±1/2°
 Surface finish 125

| REV | DATE | NAME | DESCRIPTION |
|-----|------|------|-------------|
| | | | |
| | | | |
| | | | |

DRY SYSTEMS TECHNOLOGIES
 10420 RISING COURT
 WOODRIDGE, IL 60517
 Phone: 630-427-2051 Fax: 630-427-1036
 E-Mail: eng@drysystemstech.com

| | | |
|---|------------------------|---------------------|
| DESCRIPTION Air Start Circuit | | NO RECD |
| SCALE | DATE April 25, 2018 | DRAWN BY R Gibbs |
| MATERIAL | APPROVED BY | |
| DRAWING NO M382-004-02 | | |

