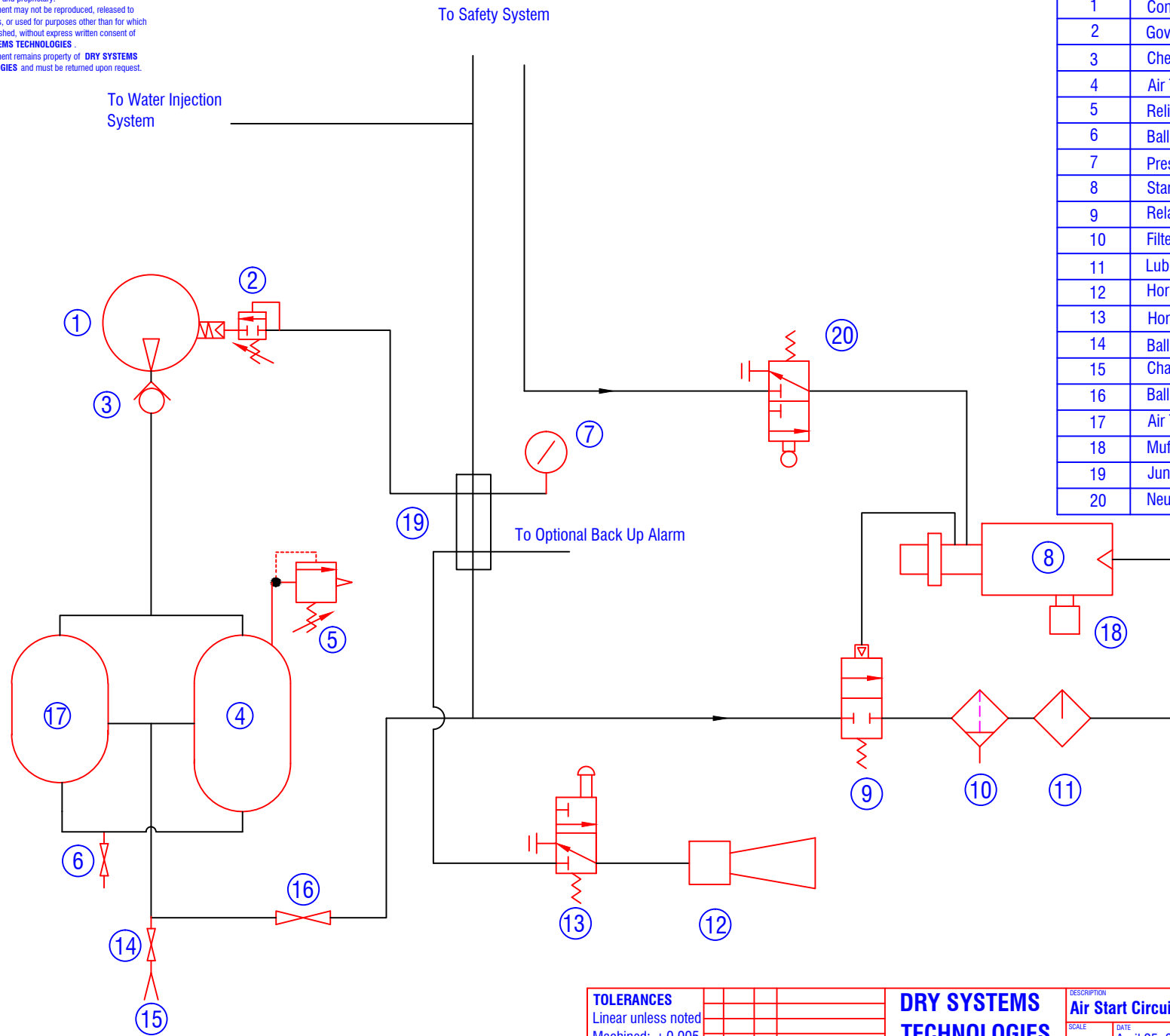


**CONFIDENTIAL & PROPRIETARY**

All data contained in this document is sole property of **DRY SYSTEMS TECHNOLOGIES** and is considered confidential and proprietary. This document may not be reproduced, released to third parties, or used for purposes other than for which it was furnished, without express written consent of **DRY SYSTEMS TECHNOLOGIES**. This document remains property of **DRY SYSTEMS TECHNOLOGIES** and must be returned upon request.



ITEM #	DESCRIPTION	PART NUMBER
1	Compressor	Supplied w/ Engine
2	Governor	M350-576-01
3	Check Valve	M350-577-01
4	Air Tank 20 Gal	M510-582-01
5	Relief Valve	M350-517-01
6	Ball Valve 1/4"	M350-573-01
7	Pressure Gauge	M350-886-01
8	Starter	M250-510-01
9	Relay Valve	M250-511-01
10	Filter	M250-513-01
11	Lubricator	M250-512-01
12	Horn	M350-571-01
13	Horn Valve	M30-558-21
14	Ball Valve 1/2"	M350-579-01
15	Charge Point	M350-574-01
16	Ball Valve, 1"	M350-575-02
17	Air Tank 5 Gal	M512-595-01
18	Muffer	M507-682-01
19	Junction Block	M350-621-01
20	Neutral Valve	M250-550-04

**TOLERANCES**  
 Linear unless noted  
 Machined: ±0.005  
 Fabricated: ±0.02  
 Angular: ±1/2°  
 Surface finish 125

REV	DATE	NAME	DESCRIPTION

**DRY SYSTEMS TECHNOLOGIES**  
 10420 RISING COURT  
 WOODRIDGE, IL 60517  
 Phone: 630-427-2051 Fax: 630-427-1036  
 E-Mail: eng@drysystemstech.com

DESCRIPTION <b>Air Start Circuit</b>		NO RECD
SCALE	DATE April 25, 2018	DRAWN BY R Gibbs
MATERIAL	APPROVED BY	
DRAWING NO <b>M383-002-02</b>		

